



## **INGEREV FUSION**

### **Street / Wall**

Installation and Operation Manual

Manual de instalación y uso

Manuel d'installation et usage

Manuale d'installazione e uso

Manual de instalação e uso

ABW2011IQM01\_E  
06/2024

**Ingeteam Power Technology, S.A. - Energy**

Avda. Ciudad de la Innovación, 13  
31621 SARRIGUREN (Navarra) - Spain  
Tel.: +34 948 28 80 00  
Fax.: +34 948 28 80 01  
e-mail: [electricmobility.energy@ingetteam.com](mailto:electricmobility.energy@ingetteam.com)

Service Call Center: +34 948 698 715

English	EN
Español	ES
Français	FR
Italiano	IT
Português	PT

The copy, distribution or use of this document or of its content requires written authorisation. Any breach thereof will be reported for damages. All rights reserved including those of patent rights or design registration.

The conformity of the document content with the hardware described has been checked. However, discrepancies may exist. Liability will not be assumed for total concordance. The information contained in this document is regularly reviewed and it is possible that there may be changes in subsequent editions. Other functions may be available which are not covered by this document.

This document may be changed.

---

La copia, circulación o uso de este documento o de su contenido requiere un permiso por escrito. Su incumplimiento será denunciado por daños y perjuicios. Todos los derechos están reservados, incluyendo aquellos que resulten de derechos de patentes o registro del diseño.

La correspondencia del contenido del documento con el hardware ha sido comprobada. Sin embargo, pueden existir discrepancias. No se asume ninguna responsabilidad por la concordancia total. La información que contiene este documento es revisada regularmente y es posible que se produzcan cambios en siguientes ediciones.

El presente documento es susceptible de ser modificado.

---

La copie, distribution ou utilisation de ce document ou de son contenu requiert une autorisation écrite. Toute personne ne respectant pas cette condition sera passible de poursuites. Tous les droits sont réservés, y compris ceux qui découlent des droits de brevets ou d'enregistrement des conceptions.

La correspondance entre le contenu du document et le matériel a été vérifiée. Il peut toutefois exister des divergences. Aucune responsabilité de concordance totale n'est assumée. Les informations contenues dans ce document sont régulièrement révisées et il est possible que des changements surviennent dans les éditions à venir.

Le présent document est susceptible d'être modifié.

---

Per copiare, condividere o utilizzare il presente documento o il suo contenuto è necessaria un'autorizzazione scritta. Il mancato rispetto di quest'obbligo sarà perseguito. Tutti i diritti sono riservati, compresi quelli risultanti da diritti di brevetti o dalla registrazione del progetto.

La corrispondenza del contenuto del presente documento con l'hardware è stata verificata, tuttavia, possono sussistere discrepanze. Si declina ogni responsabilità relativamente alla concordanza totale. Le informazioni contenute in questo documento sono regolarmente sottoposte a revisione ed è possibile che siano inserite delle modifiche nelle prossime edizioni.

Questo documento può essere soggetto a modifiche.

---

A cópia, circulação ou utilização deste documento ou do respectivo conteúdo requer uma autorização por escrito. O seu incumprimento será denunciado por danos e prejuízos. Todos os direitos estão reservados, incluindo aqueles que resultem de direitos de patentes ou do registo do design.

A conformidade do conteúdo do documento com o hardware foi verificada. No entanto, podem existir discrepâncias. Não se assume qualquer responsabilidade pela concordância total. As informações contidas neste documento são revistas regularmente e é possível que se verifiquem alterações nas próximas edições.

O presente documento é susceptível de ser alterado.



# Important safety instructions

This section describes the safety warnings and the personal protective equipment and symbols used in the unit.  
KEEP THESE INSTRUCTIONS.

## Safety conditions

### General warnings

#### DANGER

Opening the enclosure does not imply there is no voltage inside.

Only qualified personnel may open it, following the instructions in this manual.

The risk of electric shock exists even after disconnecting from the grid.

It is strictly forbidden to gain access to the inside of the unit through any other point than the access cover provided for this purpose. Always gain access when the unit is voltage-free.

#### CAUTION

The operations described in the manual may be performed only by qualified personnel.

The status of qualified personnel referred to in this manual will be, as a minimum, that which meets all the standards, regulations and laws regarding safety applicable to the tasks of installing and operating this unit.

The responsibility for designating qualified personnel will always fall to the company to which the personnel belong. It is necessary to decide which workers are suitable or not for carrying out specific work to preserve their safety at the same time as complying with occupational safety legislation.

These companies are responsible for providing appropriate training in electrical equipment to their personnel and for familiarizing them with the contents of this manual.

All applicable safety-related legislation for electrical work must be complied with.

Compliance with the safety instructions set out in this manual or in the suggested legislation does not imply exemption from other specific standards for the installation, place, country or other circumstances that affect the unit.

You must consider the set of conditions listed throughout this document as minimum requirements. It is always preferable to shut off the main power supply. There may be faults in the installation that cause the unwanted return of voltage. Danger of electric shock.

According to basic safety standards, the complete unit must be suitable to protect exposed workers against the risk of direct and indirect contact. In any case the electrical parts of the work equipment must comply with the provisions of the corresponding specific regulations.

According to basic safety standards, the electrical installation shall not entail a fire or explosion risk. Workers must be duly protected against the risk of accidents caused by direct or indirect contact. The electrical installation and protection devices must take into account the voltage, the external conditions and the competence of persons who have access to parts of the installation.

To check the absence of voltage, it is compulsory to use measurement devices with category III-1100 V.

#### INFO

These instructions must be easily accessible close to the unit and located within reach of all users.

Before installation and start-up, please read these safety instructions and warnings carefully as well as all the warning notices located on the unit. Ensure that all the warnings signs are perfectly legible and that those which are damaged or have disappeared are restored.

Protection against direct contact is by means of the enclosure.

The unit has been tested according to the applicable regulations to comply with the safety requirements, the values for insulation clearances and leakage paths for the voltages used.

EN

ES

FR

IT

PT

**Potential hazards for people**** DANGER**

Electric shock.

The equipment may remain charged after disconnecting the grid power.

Carefully follow the mandatory steps in the manual for removing the voltage.

Explosion.

There is a very low risk of explosion in very specific cases of malfunction.

The casing will protect people and property from the explosion only if it is correctly closed.

Crushing and joint injuries.

Always follow the indications in the manual on moving and placing the unit.

The weight of this unit can cause injury if not handled correctly.

**Potential hazards for the equipment**** DANGER**

Do not touch boards or electronic components. The more sensitive components can be damaged or destroyed by static electricity.

Do not disconnect or connect any terminal while the unit is operating. Disconnect and check for absence of voltage first.

## Personal Protective Equipment (PPE)

When working on the unit, use the following safety equipment recommended by Ingeteam as a minimum.

Name	Description
Safety footwear	In compliance with standard <i>UNE-EN-ISO 20345:2012 ANSI Z41.1-1991</i>
Helmet with face shield	In compliance with standard <i>UNE-EN 397:1995, ANSI Z89.1-2014</i> , provided there are elements with voltage directly accessible.
Working clothes	Close-fitting, non-flammable, 100% cotton
Dielectric gloves	In compliance with standard <i>EN 60903:2005 ASTM D 120-87</i>

Tools and / or equipment used in live work must have at least Category III-1100 Volts insulation.

Should the country's regulations demand another kind of personal protection, you should appropriately supplement the equipment recommended by Ingeteam.

## Symbols

In the equipment, the following symbols are included.



### Electrical danger

**Warning of dangerous voltage:** this warns of high voltage which could cause serious or fatal injuries and / or damage to the equipment.



**Caution, hot surface:** this warns of hot surfaces which could cause serious burns.



Earthing



It is mandatory to read the instruction manual.



Electrical and electronic equipment should not be discarded in the household waste container.

EN

ES

FR

IT

PT

# Contents

- Important safety instructions ..... 5
  - Safety conditions..... 5
  - Personal Protective Equipment (PPE) ..... 7
  - Symbols ..... 7
- Contents ..... 8
- 1. About this manual..... 10
  - 1.1. Scope of application ..... 10
  - 1.2. Recipients..... 10
  - 1.3. Warnings..... 10
- 2. Unit description..... 11
  - 2.1. Overview ..... 11
  - 2.2. Models..... 11
  - 2.3. Specification table ..... 12
  - 2.4. Power Sockets ..... 13
  - 2.5. Protection ..... 14
  - 2.6. EMC requirements ..... 15
  - 2.7. Cabling accesses ..... 15
    - 2.7.1. INGEREV FUSION Street..... 16
    - 2.7.2. INGEREV FUSION Wall ..... 16
- 3. Receipt of the unit and storage..... 18
  - 3.1. Reception ..... 18
  - 3.2. Unit identification..... 18
  - 3.3. Transport damage ..... 18
  - 3.4. Storage..... 18
  - 3.5. Conservation..... 18
- 4. Equipment transport ..... 19
  - 4.1. Transport..... 19
  - 4.2. Unpacking ..... 19
- 5. Preparation for installing the unit ..... 20
  - 5.1. Environment..... 20
  - 5.2. Environmental conditions ..... 20
  - 5.3. Supporting Surface and Fastening..... 21
- 6. Installing the unit ..... 23
  - 6.1. General requirements for installation ..... 23
  - 6.2. INGEREV FUSION Street..... 23
  - 6.3. INGEREV FUSION Wall ..... 25
- 7. Connection of accessories ..... 27
  - 7.1. Safety instructions for connecting accessories ..... 27
  - 7.2. Ethernet communication ..... 27
    - 7.2.1. Cabling requirements ..... 27
    - 7.2.2. Connection process..... 27
  - 7.3. Communication via 3G/4G (optional) ..... 28
    - 7.3.1. Connection process..... 28
- 8. Power supply connection ..... 32
  - 8.1. Safety instructions for connecting the power supply ..... 32
  - 8.2. Wiring requirements for connecting the power supply ..... 32
  - 8.3. Power supply connection process ..... 32
- 9. First connection to the electric grid..... 36
  - 9.1. Unit inspection..... 36
    - 9.1.1. Inspection..... 36
    - 9.1.2. Hermetic sealing of the unit ..... 36
- 10. Configuration ..... 37
  - 10.1. Local connection ..... 37
    - 10.1.1. Local connection via Ethernet ..... 37

- 10.1.2. Local connection via Wi-Fi..... 38
- 10.2. Remote connection ..... 38
- 11. Operation ..... 39
  - 11.1. Status indication ..... 39
  - 11.2. User interface..... 39
  - 11.3. Charging process ..... 39
    - 11.3.1. Charging process with authentication..... 39
    - 11.3.2. Charging process without authentication ..... 41
- 12. Troubleshooting ..... 43
  - 12.1. Alarms..... 43
- 13. Shutting down the unit..... 45
- 14. Maintenance ..... 46
  - 14.1. Safety conditions ..... 46
  - 14.2. Condition of hoses and charging connectors ..... 46
  - 14.3. Condition of the housing..... 46
  - 14.4. Condition of cables and terminals..... 46
- 15. Waste handling..... 47

EN

ES

FR

IT

PT

# 1. About this manual

The purpose of this manual is to describe the INGEREV electric vehicle charging stations and to provide appropriate information for their correct reception, installation, start-up, maintenance and operation.

Keep this manual for the lifetime of the equipment.

## INFO

You can download the latest version of this Manual from the website [www.ingeteam.com](http://www.ingeteam.com).

## 1.1. Scope of application

This manual is valid for the following charging stations:

### INGEREV FUSION Street

FS1MW (single phase with manual protections and wattmeters)

FS1AW (single phase with protections, residual current device with automatic reset and wattmeters)

FS3NN (three phase without protections, without wattmeters)

FS3MW (three phase with manual protections and wattmeters)

FS3AW (three phase with protections, residual current device with automatic reset and wattmeters)

### INGEREV FUSION Wall

FW1MW (single phase with manual protections and wattmeters)

FSFW1AW (single phase with protections, residual current device with automatic reset and wattmeters)

FW3NN (three phase without protections, without wattmeters)

FW3MW (three phase with manual protections and wattmeters)

FW3AW (three phase with protections, residual current device with automatic reset and wattmeters)

## 1.2. Recipients

This document is intended for qualified personnel.

The status of qualified personnel referred to in this manual will be, as a minimum, that which meets all the standards, regulations and laws regarding safety applicable to the tasks of installing and operating this unit.

The responsibility for designating qualified personnel will always fall to the company to which the personnel belong. It is necessary to decide which workers are suitable or not for carrying out specific work to preserve their safety at the same time as complying with occupational safety legislation.

These companies are responsible for providing appropriate training in electrical equipment to their personnel and for familiarizing them with the contents of this manual.

## 1.3. Warnings

Throughout this manual we include warnings to highlight certain information. Relative to the nature of the text, there are three types of warnings:



**DANGER**

This indicates a hazard to personnel or the inverter.



**CAUTION**

Indicates importance.



**INFO**

Additional information or references to other parts of the document or documents.

## 2. Unit description

### 2.1. Overview

The INGEREV FUSION chargers are the alternating current model designed to meet all the requirements of electric vehicle charging in public and private settings.

Allows simultaneous charging of two vehicles, and with its different power supply configurations it is compatible with mode 3 as well as with modes 1 and 2.

They have been designed for use indoors and outdoors and may be installed in locations with unrestricted access.

### 2.2. Models

The INGEREV FUSION range is available in two versions: FUSION Street for installing on the ground, and FUSION Wall for installing on the wall. These versions are available in the following variants:

	Variants of models INGEREV FUSION Street / Wall				
	FS1MW / FW1MW	FS1AW / FW1AW	FS3NN / FW3NN	FS3MW / FW3MW	FS3AW / FW3AW
Grid	Single phase	Single phase	Three phase	Three phase	Three phase
Power meter	●	●	●	●	●
MID wattmeter	●	●		●	●
Residual current device Type A manual	●			●	
Residual current device Type A resettable		●			●
Overcurrent protection (Curve C)	●	●		●	●

EN

ES

FR

IT

PT

## 2.3. Specification table

	INGEREV FUSION Street		INGEREV FUSION Wall	
	Single phase (FS1)	Three phase (FS3)	Single phase (FW1)	Three phase (FW3)
<b>AC inputs and outputs</b>				
Voltage	1 ph. + N +PE 230 Vac ± 15%	3ph. + N +PE 400 Vac ± 15%	1 ph. + N +PE 230 Vac ± 15%	3ph. + N +PE 400 Vac ± 15%
Maximum input power	14.8 kW (7.4 kW + 7.4 kW)	44 kW (22 kW + 22 kW)	14.8 kW (7.4 kW + 7.4 kW)	44 kW (22 kW + 22 kW)
Frequency	50 / 60 Hz			
Maximum input current	64 A (32 A + 32 A)			
Output connectors	Configurable (type 1 and type 2 both in socket and in cable, Type 3A, CEE 7/3 Type F, CEE 7/5 Type E)			
Connection mode	5 socket types and 2 cable types			
<b>Regulations and safety</b>				
Standard regulations	IEC-61851-1, IEC-61851-21-2, IEC-61000			
Overcurrent	Overcurrent protection device (Curve C)			
Indirect contacts	Residual current device (RCD) 30 mA Type A <sup>(1)</sup> / DC leak detector (optional)			
Overvoltage <sup>(1)</sup>	Overvoltage protection Type III			
<b>Functionalities and accessories</b>				
Communications	Ethernet, Wi-Fi, Ethernet Switch GPRS-3G/4G (optional)			
Communication protocols	OCPP			
HMI	4.3" TFT color display, RFID (Mifare Classic 1K&4K, MifareDesFire WV1, NFC)			
<b>General information</b>				
Stand-by consumption	< 10 W			
Energy measurement	2 x MID Wattmeters			
Operating temperature	-25 °C to 50 °C			
Humidity	<95%			
Maximum altitude	2000 m			
Weight	33 kg (2 x Type 2)		24 kg (2 x Type 2)	
Dimensions (height x width x depth)	1400 x 320 x 215 mm		800 x 320 x 215 mm	
Enclosure	Galvanized steel			
Protection class	IP54 / IK10 (IK08 display)			
Pollution degree	PD3			
Markings	CE			
Directives	Low Voltage Directive: 2014/35/EU EMC Directive: 2014/30/EU			

<sup>(1)</sup> Manual or resettable protection depending on model

<sup>(2)</sup> Type B alternative exists



## 2.4. Power Sockets

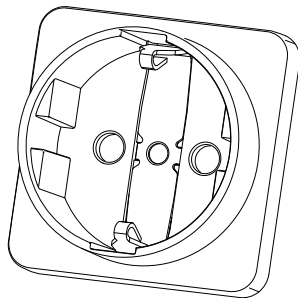
### ⚠ CAUTION

The use of adaptors, converters or extenders for charging electric vehicles is not permitted.

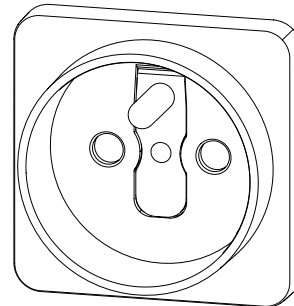
These charging stations can be purchased with different connector and hose configurations relative to the client's needs. They allow simultaneous charging of two vehicles, connecting them to either side of the charging point.

The most common configuration includes a single socket on each side, with it being possible to install a maximum of two sockets on the right side. In this case, those two sockets cannot be used simultaneously.

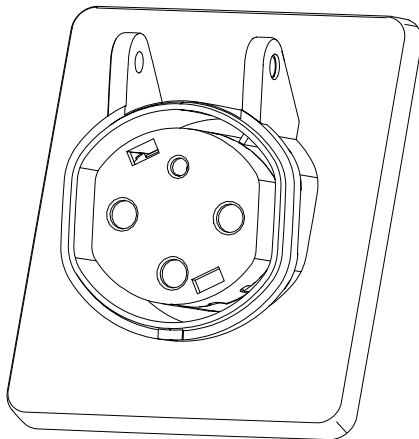
The different available connectors are displayed below.



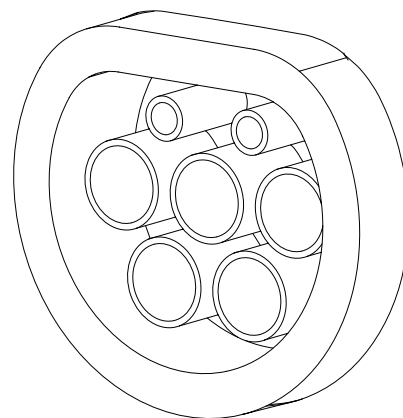
*CEE 7/3 Type F*



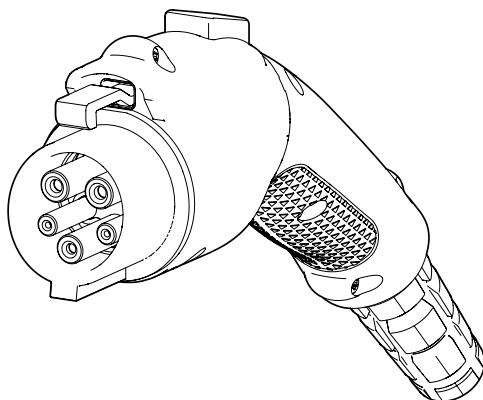
*CEE 7/5 Type E*



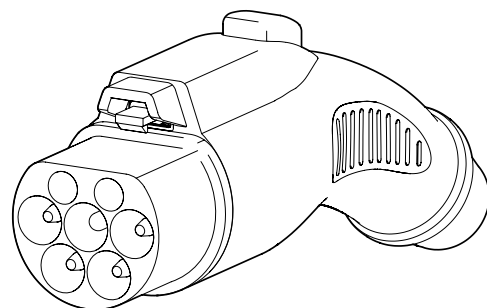
*IEC 62196-2 Type 3A*



*IEC 62196-2 Type 2*



*Cable Type 1*



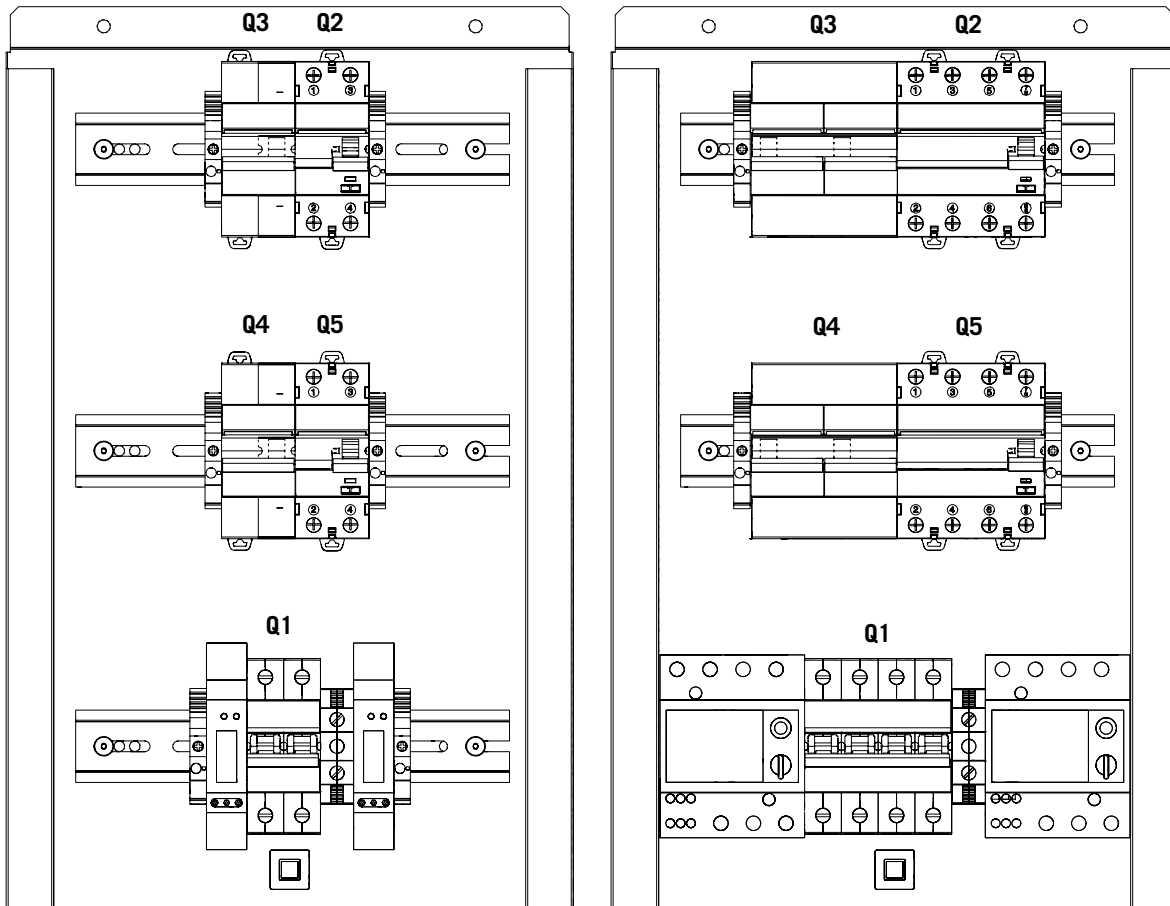
*Cable Type 2*

## 2.5. Protection

The charging station can have several protections according to the model, as described below.

**CAUTION**

In models that do not include protections (FS3NN / FW3NN), they must be installed upstream of the charger so that each connection point is powered individually by a circuit that is protected by an overvoltage protection device and a residual current device.

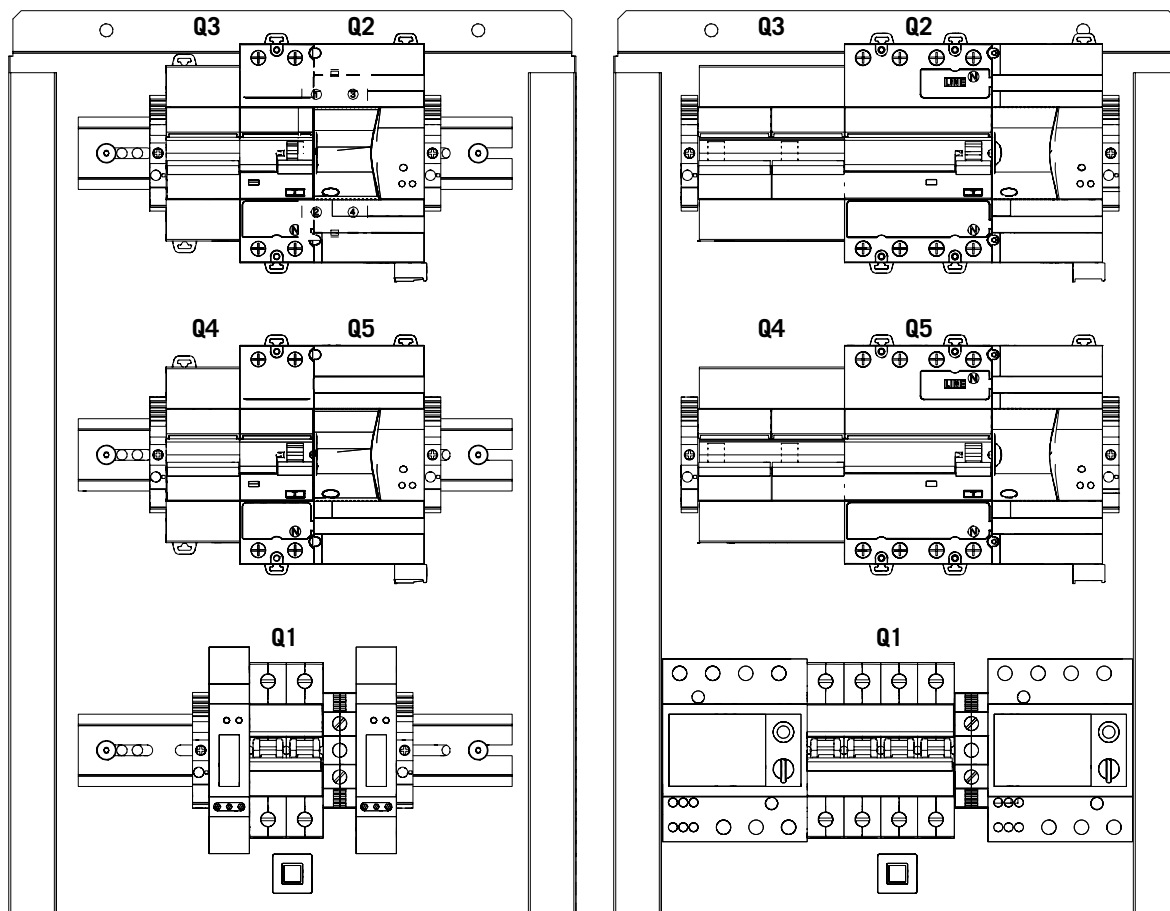


*FS1MW / FW1MW (single phase with manual protections and wattmeters)*

*FS3MW / FW3MW (three phase with manual protections and wattmeters)*

For both cases:

- Q1: Main switch 80 A
- Q2, Q5: 30 mA type A residual current circuit breaker
- Q3, Q4: Curve C thermal magnetic circuit breaker
- Q2 and Q3 protect the left power socket
- Q4 and Q5 protect the right power socket



*FS1AW / FW1AW (single phase with protections, residual current device with automatic reset and wattmeters)*

*FS3AW / FW3AW (three phase with protections, residual current device with automatic reset and wattmeters)*

For both cases:

- Q1: Main switch 80 A
- Q2, Q5: 30 mA type A residual current circuit breaker
- Q3, Q4: Curve C thermal magnetic circuit breaker
- Q2 and Q3 protect the left power socket
- Q4 and Q5 protect the right power socket

## 2.6. EMC requirements

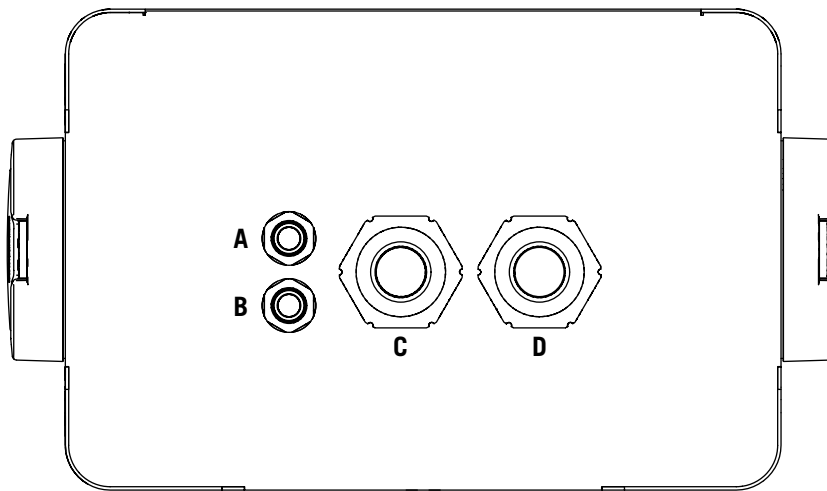
These charging stations have the necessary filtering elements to comply with EMC requirements for domestic applications in order to prevent disturbances in other equipment outside the installation.

## 2.7. Cabling accesses

At the lower part of the station there is a series of cable glands to insert the cabling inside.

### 2.7.1. INGEREV FUSION Street

Lower view



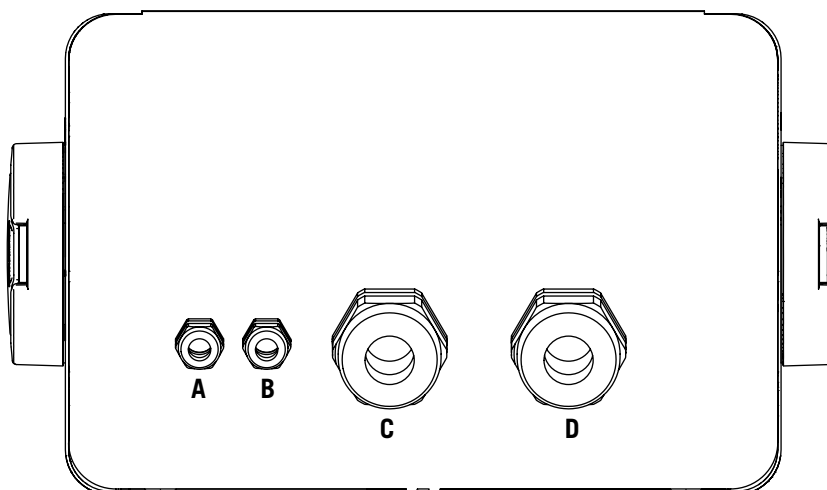
- |  |   |
|--|---|
| <p>A Communications input. PG16, admitted cable diameter 4 ~ 10 mm</p> <p>B Communications output. PG16, admitted cable diameter 4 ~ 10 mm</p> | <p>C Power supply input no. 1. PG40, admitted cable diameter 16 ~ 28 mm</p> <p>D Power supply input no. 2. PG40, admitted cable diameter 16 ~ 28 mm</p> |
|--|---|

**i** INFO

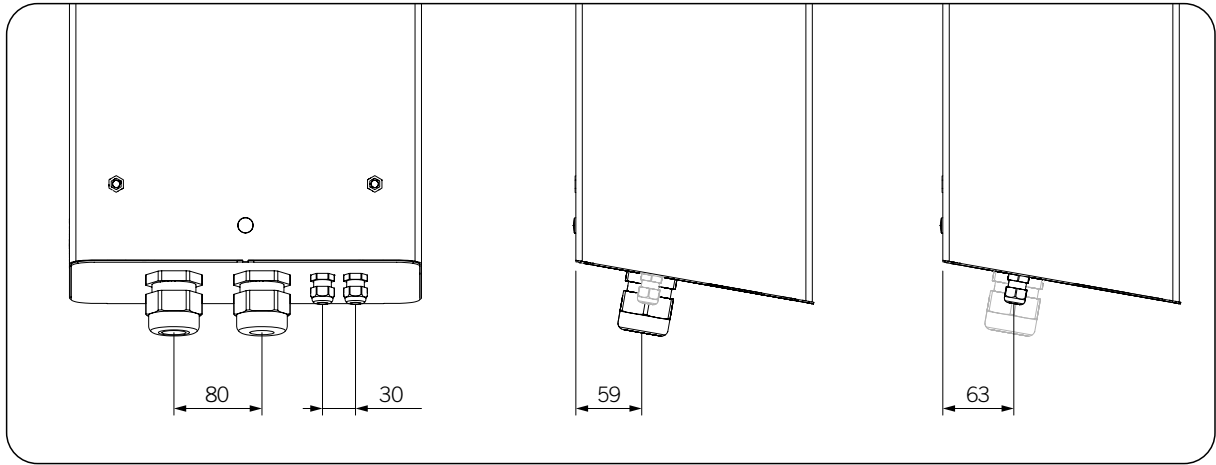
In the INGEREV FUSION Street ground stations, although it is preferable to insert the cabling through the accesses indicated in this section, it is possible to uninstall the metal base where the cable glands are installed in order to have a surface with greater access.

### 2.7.2. INGEREV FUSION Wall

Lower view



- |  |   |
|--|---|
| <p>A Communications input. PG16, admitted cable diameter 4 ~ 10 mm</p> <p>B Communications output. PG16, admitted cable diameter 4 ~ 10 mm</p> | <p>C Power supply input no. 1. PG40, admitted cable diameter 16 ~ 28 mm</p> <p>D Power supply input no. 2. PG40, admitted cable diameter 16 ~ 28 mm</p> |
|--|---|



EN  
ES  
FR  
IT  
PT

## 3. Receipt of the unit and storage

### 3.1. Reception

Keep the unit in its packaging until immediately before installation.

### 3.2. Unit identification

The serial number of the unit is its unique identifier. You must quote this number in any communication with Ingeteam.

The unit's serial number is marked on the specifications plate.

### 3.3. Transport damage

If the unit has been damaged during transport, proceed as follows:

1. Do not proceed with the installation.
2. Notify the distributor immediately within five days of receipt of the unit.

If ultimately the unit has to be returned to the manufacturer, the original packaging must be used.

### 3.4. Storage

#### CAUTION

Failure to follow the instructions in this section may lead to damage to the unit.

Ingeteam accepts no liability for damage resulting from the failure to follow these instructions.

If the unit is not installed immediately after reception, the following points should be taken into account in order to avoid damage:

- The unit must be stored in its original packaging.
- Keep the unit free of dirt (dust, shavings, grease, etc.) and away from rodents.
- Keep it away from water splashes, welding sparks, etc.
- Cover the unit with a breathable protective material in order to prevent condensation due to ambient humidity.
- Units in storage must not be subjected to weather conditions other than those indicated in section "2.3. *Specification table*".
- It is very important to protect the unit from chemical products which can cause corrosion, as well as from salty atmospheres.
- Do not store the unit outdoors.

### 3.5. Conservation

In order to permit correct conservation of the units, they must not be removed from their original packaging until it is time to install them.

In case of prolonged storage, use dry places, avoiding, as far as possible, sharp changes in temperature.

Deterioration of the packaging (tears, holes, etc.) prevents the units from being kept in optimum conditions before installation. Ingeteam accepts no liability in the case of failing to observe this condition.

## 4. Equipment transport

You must protect the unit, during transport, from mechanical knocks, vibrations, water splashes (rain) and any other product or situation which may damage it or alter its behavior. Failure to observe these instructions may lead to loss of warranty on the product, for which Ingeteam is not responsible.

### 4.1. Transport

#### CAUTION

It is strictly forbidden to transport or lift the equipment by pulling on the loading hoses.

#### Transport using a pallet truck

At least the following requirements should be observed:

1. Deposit the charging stations packaged and centered relative to the forks.
2. Try to place them as close as possible to the part where the forks and the steering unit meet.
3. In all cases, observe the instructions in the pallet truck's user manual.

#### Transport using a forklift truck

At least the following requirements should be observed:

1. Deposit the charging stations packaged and centered relative to the forks.
2. Try to place them as close as possible to the part where the forks and the steering unit meet.
3. Ensure that the forks are perfectly level to avoid overturning the unit.
4. In any case, observe the instructions in the forklift truck's user manual.

Once the charging station has been transported to the place where it is to be located and only when it is to be installed, unpack the station.

At this time, it can be transported vertically over a short distance without packaging.

#### Transport of the unpackaged unit

At least the following requirements should be observed:

1. Follow the necessary ergonomic advice for lifting weights.
2. Do not release the unit until it is perfectly secured or placed.
3. Ask someone else to guide the movements to be made.

### 4.2. Unpacking

Correct handling of the charging stations is vitally important in order to:

- Prevent damage to the packaging which enables them to be kept in optimum condition from shipping until they are installed.
- Prevent the charging stations from receiving impacts and/or falling, which could deteriorate their mechanical features.
- Avoid, as far as possible, vibrations which may cause subsequent malfunction.
- Disassemble the unit in horizontal position.

If you observe any anomaly, please contact Ingeteam immediately.

#### Separating the packaging

You can deliver all the packaging to an authorized non-hazardous waste management company.

In any event, each part of the packaging may be recycled as follows:

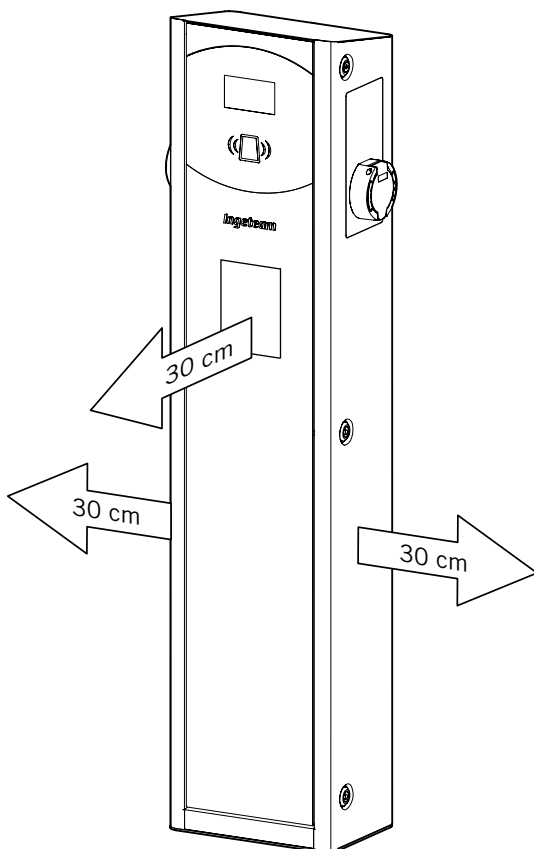
- Plastic (polystyrene, bag and bubble wrap): the appropriate container.
- Cardboard: the appropriate container.

## 5. Preparation for installing the unit

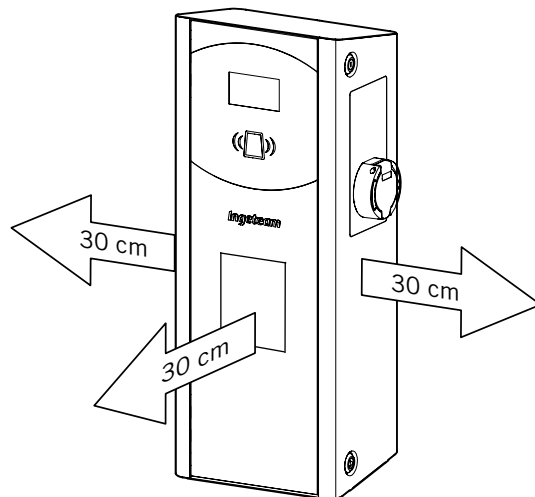
When deciding the location of the unit and planning your installation, you must follow a set of guidelines based on the specifications of the unit.

### 5.1. Environment

- These units can be installed indoors and outdoors.
- Situate the units in a place that is accessible for installation and maintenance work, which permits them to be operated and the indicator LEDs to be read.
- Avoid corrosive environments that may affect the proper operation of the unit.
- Do not leave objects leaning on the unit or against its sides.
- Keep the following minimum distances free of obstacles:



INGEREV FUSION Street



INGEREV FUSION Wall

### 5.2. Environmental conditions

**CAUTION**

Ingeteam does not guarantee the proper operation of the equipment if the operation conditions for which it has been designed are not fulfilled.

Avoid corrosive environments that may affect its proper operation. Do not install the unit in areas classified as ATEX.

Environmental operating conditions indicated in section "2.3. Specification table" must be taken into account when choosing the location of the unit.



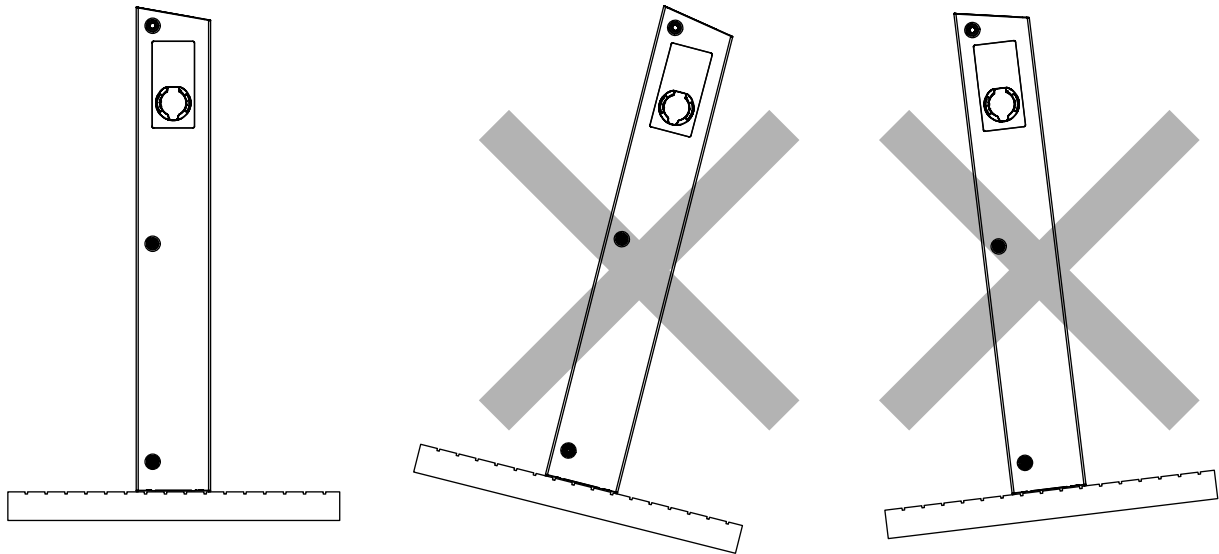
It should be borne in mind that moderate condensation may occasionally occur as a consequence of temperature variations. For this reason, apart from the unit's own protection, it is necessary to monitor these charging stations once they have been started up on sites where the conditions described above are not expected to be present.

In the event of condensation, never apply voltage to the unit.

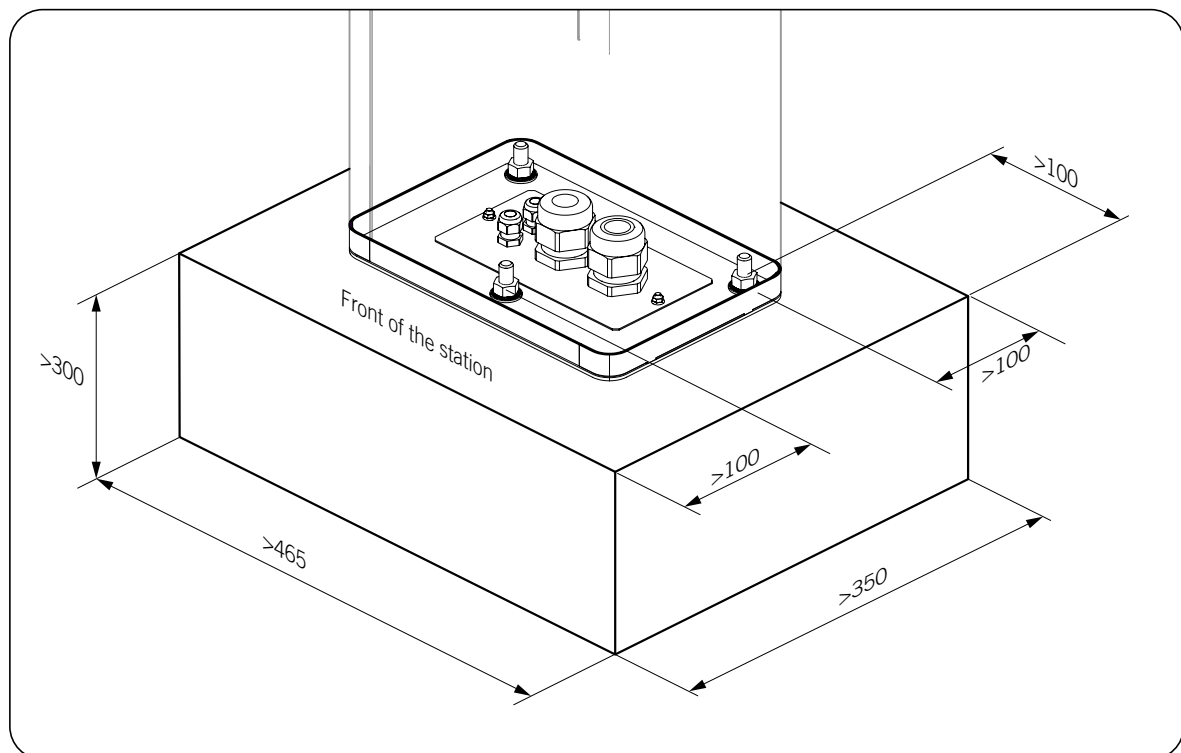
### 5.3. Supporting Surface and Fastening

#### INGEREV FUSION Street

INGEREV FUSION Street units must be attached to an even and solid surface, and must be placed in a perfectly vertical position.



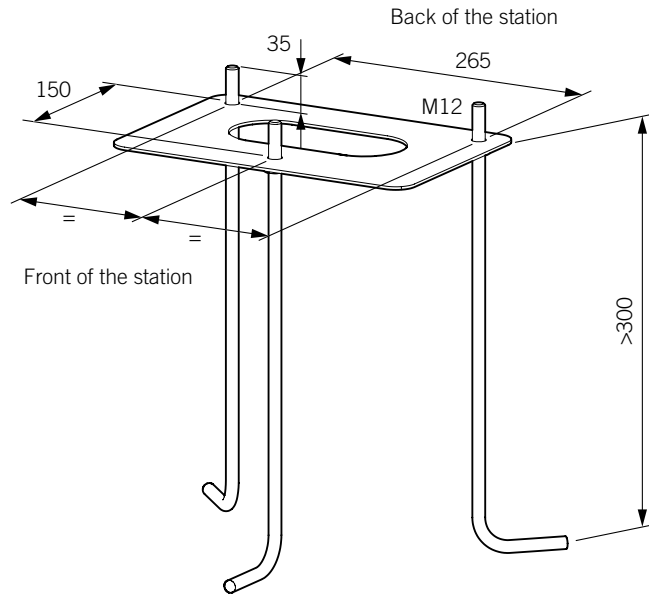
To calculate the minimum concrete pad, take into account the following details.



- Minimum distance from the anchor bolts to the edges of the concrete pad: 100 mm.

- Minimum thickness of the concrete pad: 100 mm.
- Minimum length of the anchor bolts: 300 mm.
- Minimum tensile strength of the bolts: 7.7 kN. Security coefficient 1.5.
- Minimum shear strength of the bolts: 9.3 kN. Security coefficient 1.25.

Below are the dimensions of the anchors.



**INGEREV FUSION Wall**

The INGEREV FUSION Wall must be installed on an even, solid and completely vertical surface, taking into account the specifications of the applicable regulations in the installation location.

## 6. Installing the unit

Before installing the unit, the packaging must be removed, taking special care not to damage the housing (see section “4.2. Unpacking”).

Check that there is no condensation inside the packaging. If there are signs of condensation, the unit must not be installed until you are sure it is completely dry.

### ⚠ CAUTION

All installation operations must comply with current regulations.

All operations involving moving heavy weights must be carried out using the required mechanical means (crane, hoist, etc.).

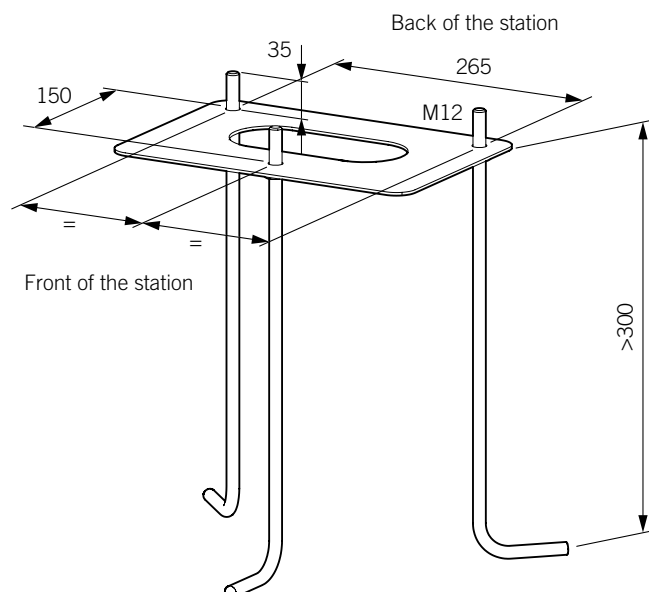
### 6.1. General requirements for installation

- The environment of the unit must be appropriate and meet the guidelines described in chapter “5. Preparation for installing the unit”. Additionally, the parts used in the rest of the installation must be compatible with the unit and comply with the applicable legislation.
- The ventilation and workspace must be suitable for maintenance tasks according to the applicable regulations in force.
- The external connection devices, which must be suitable and sufficiently close as set forth in current regulations.
- The feed cables must be of the appropriate gage for the maximum current.
- Special care must be taken to ensure that there are no external elements near the air inlets and outlets that obstruct proper cooling of the unit (see section “5.1. Environment”).

### 6.2. INGEREV FUSION Street

Follow the instructions below to install the INGEREV FUSION Street:

1. Place the anchor on the ground, respecting the following dimensions.

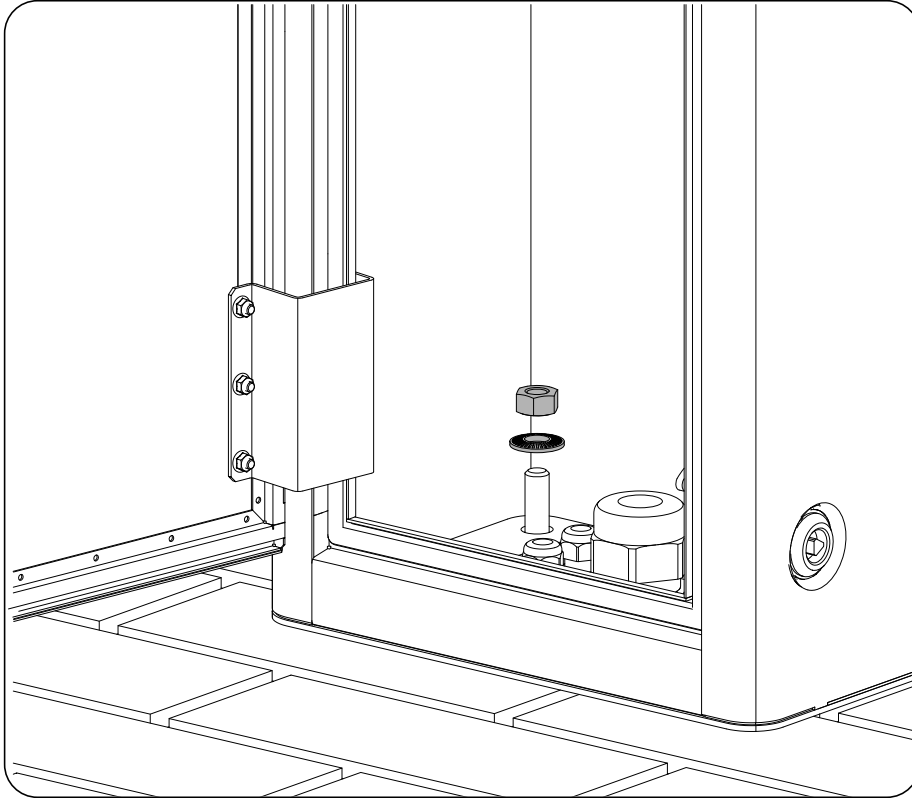


2. Open the station's side locks to access the interior. The top lock is activated with a key.
3. Insert the cabling through the lower cable glands, leaving a certain amount of slack so that the cabling is not tight after connecting (see sections “2.7. Cabling accesses” and “8.3. Power supply connection process”).

**i INFO**

Although it is preferable to insert the cabling through the cable glands, it is possible to unscrew the base where they are installed if more space is needed for the power supply cabling.

4. Fasten the station to the ground using the three bolts and washers provided.



5. Check that the fastening is correct.
6. Remove the protective film from the panel.

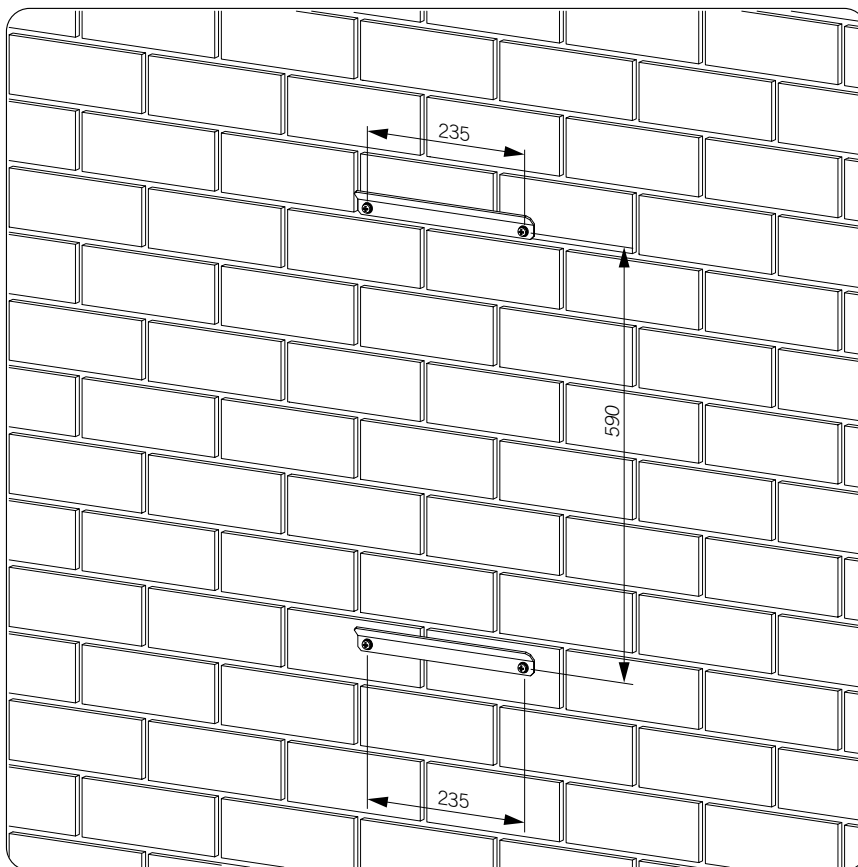
Once the unit has been installed correctly, the connection process will begin. Make the connections in the following order:

1. Connection of accessories (optional).
2. AC connection.

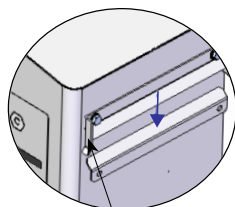
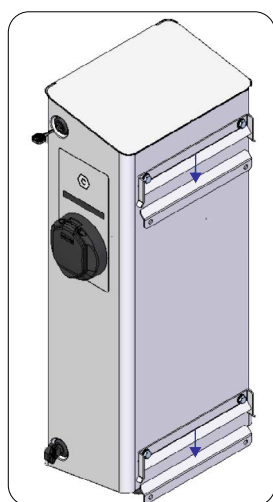
### 6.3. INGEREV FUSION Wall

Follow the instructions below to install the INGEREV FUSION Wall:

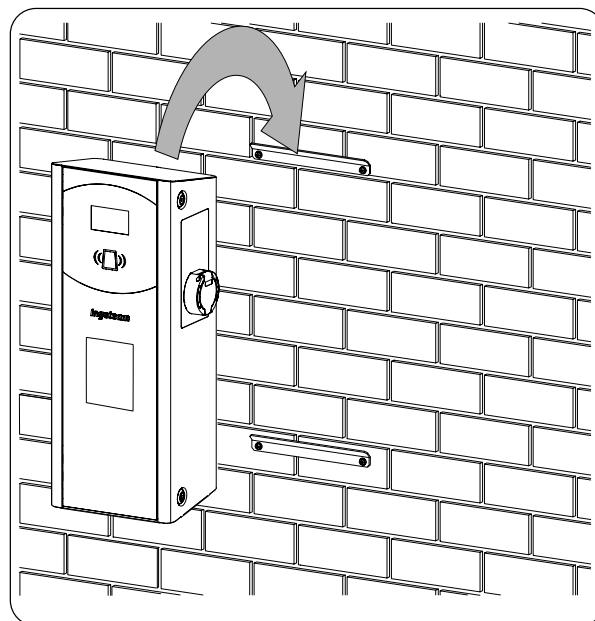
1. Install the plates in the wall. The two plates are identical.



2. Hang the charger on the supports.



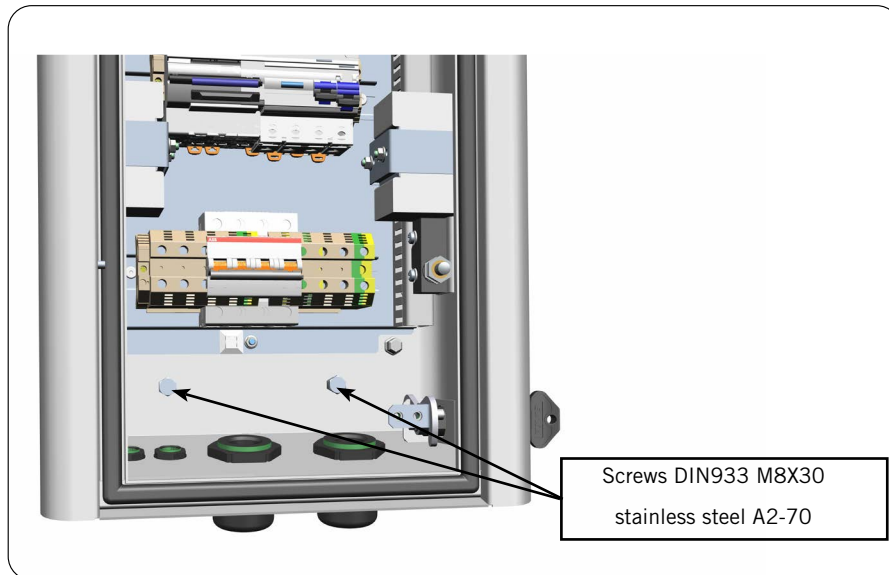
Folding that prevents lateral displacement



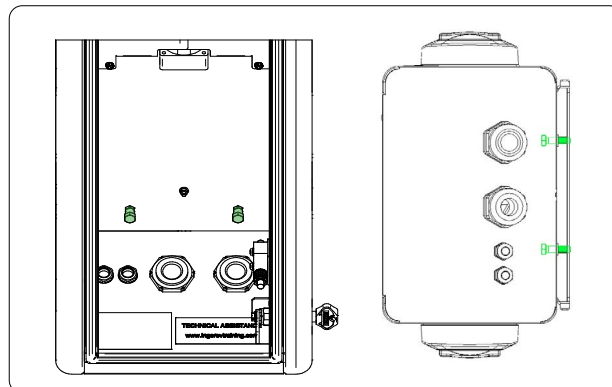
The charger shall be hung on the wall using the included supports, which prevent lateral displacement. However, the charger can move vertically, allowing it to be removed by pulling it upwards.

To secure the equipment vertically, follow these steps:

3. Open the station's side locks to access the interior. The top lock is activated with a key.
4. Insert the screws into the embedded nuts of the enclosure to avoid vertical displacement.



5. Tighten the screws until they meet the plates installed in step 1.



6. Check that the fastening is correct.
7. Insert the cabling through the accesses in the lower part of the station (see sections "2.7. Cabling accesses" and "8.3. Power supply connection process").
8. Remove the protective film from the panel.

Once the unit has been installed correctly, the connection process will begin. Make the connections in the following order:

1. Connection of accessories (optional).
2. AC connection.

## 7. Connection of accessories

This chapter explains the process for wiring the standard and optional accessories to the unit.

Read carefully before starting the connection process.

### 7.1. Safety instructions for connecting accessories

#### **⚠ DANGER**

Make sure there is no voltage present on the unit before starting the connection.

**Do not switch on the power** to the unit until you have successfully made the rest of the connections and the unit is closed.

Use the Personal Protective Equipment specified in section “*Personal Protective Equipment (PPE)*”.

#### **⚠ CAUTION**

Ingeteam accepts no liability for any damages caused by an incorrect connection.

### 7.2. Ethernet communication

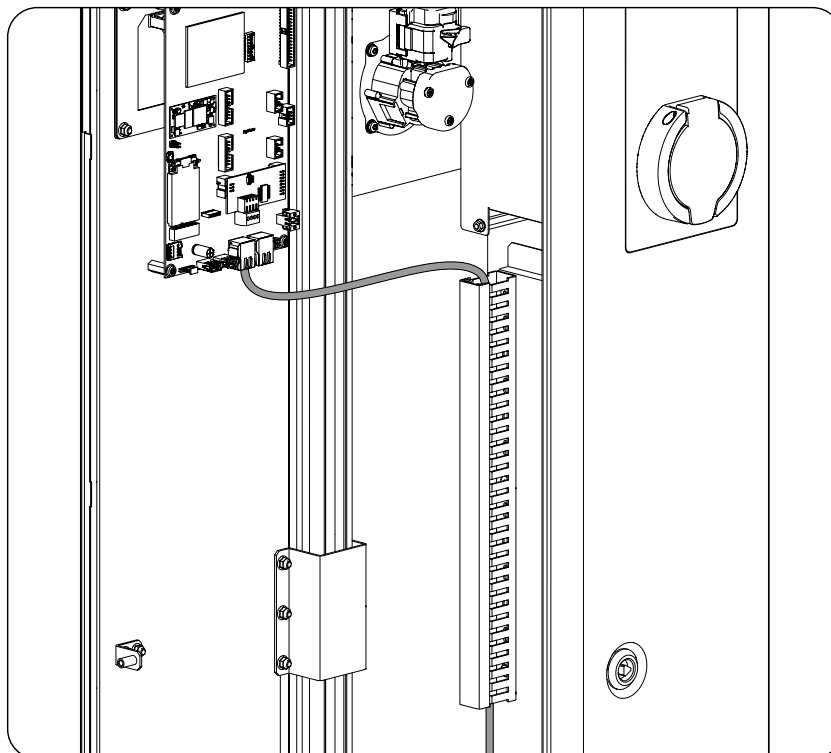
#### 7.2.1. Cabling requirements

For Ethernet communication, use a cable with a diameter of 4 to 6 mm.

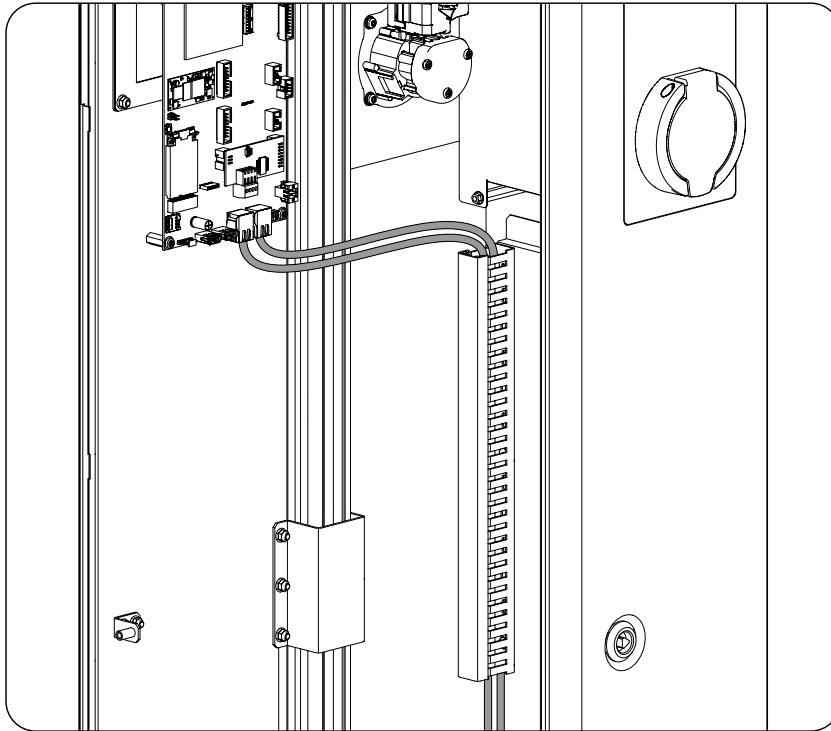
#### 7.2.2. Connection process

To make the connection, follow this order:

1. Introduce the Ethernet cabling through the corresponding gland in the lower cable access area.
2. Route the cabling through the side duct and connect to J17 or J18.



3. If you wish to connect the station to another one, connect to J17 or J18 (whichever is free).



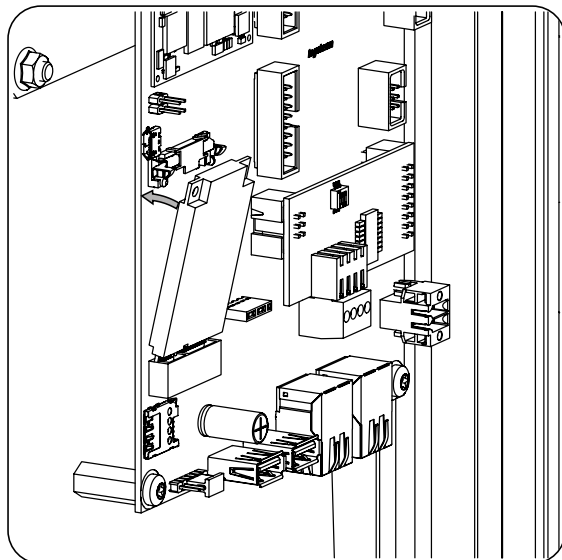
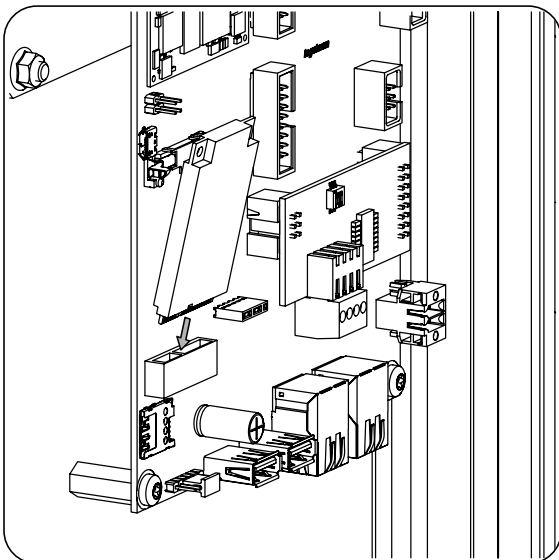
4. Press the cable gland to ensure it is sealed, making sure that the cabling is not taut.

## 7.3. Communication via 3G/4G (optional)

Follow the connection process below to enable 3G/4G communication in the charging station.

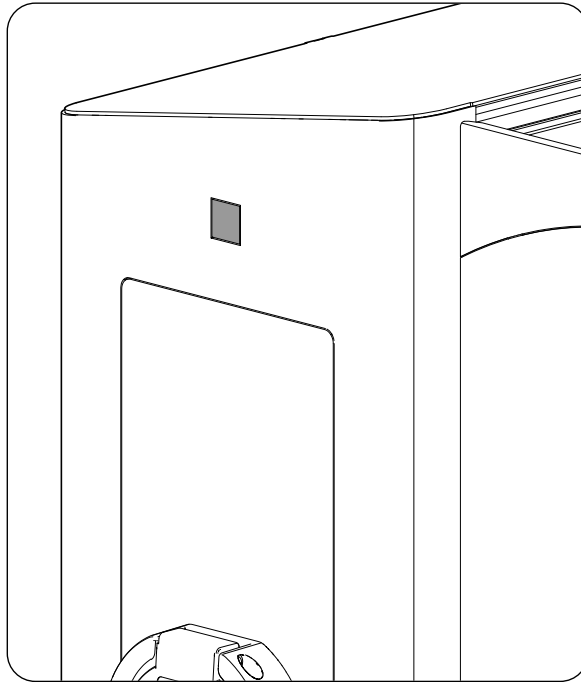
### 7.3.1. Connection process

1. Install the modem in the control card, located in the rear side of the station door.

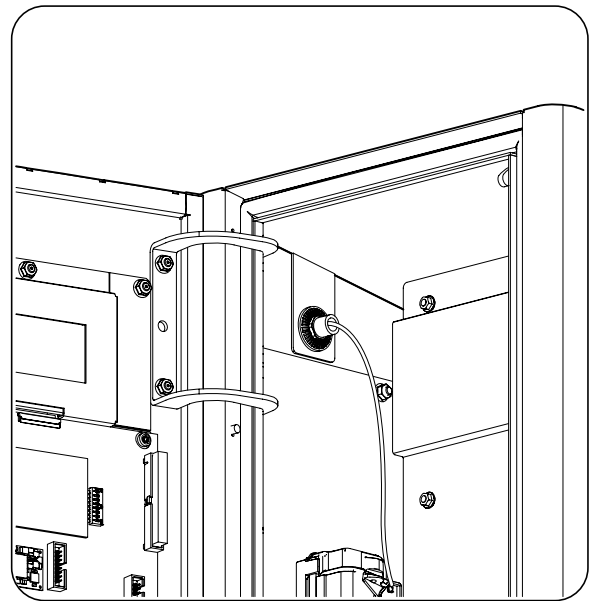
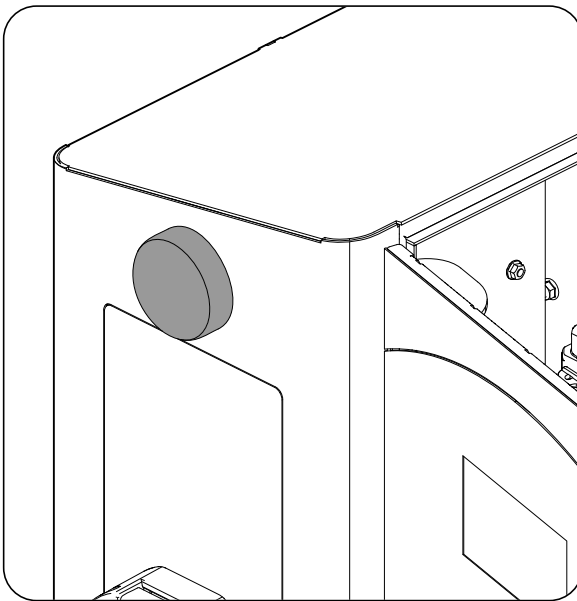




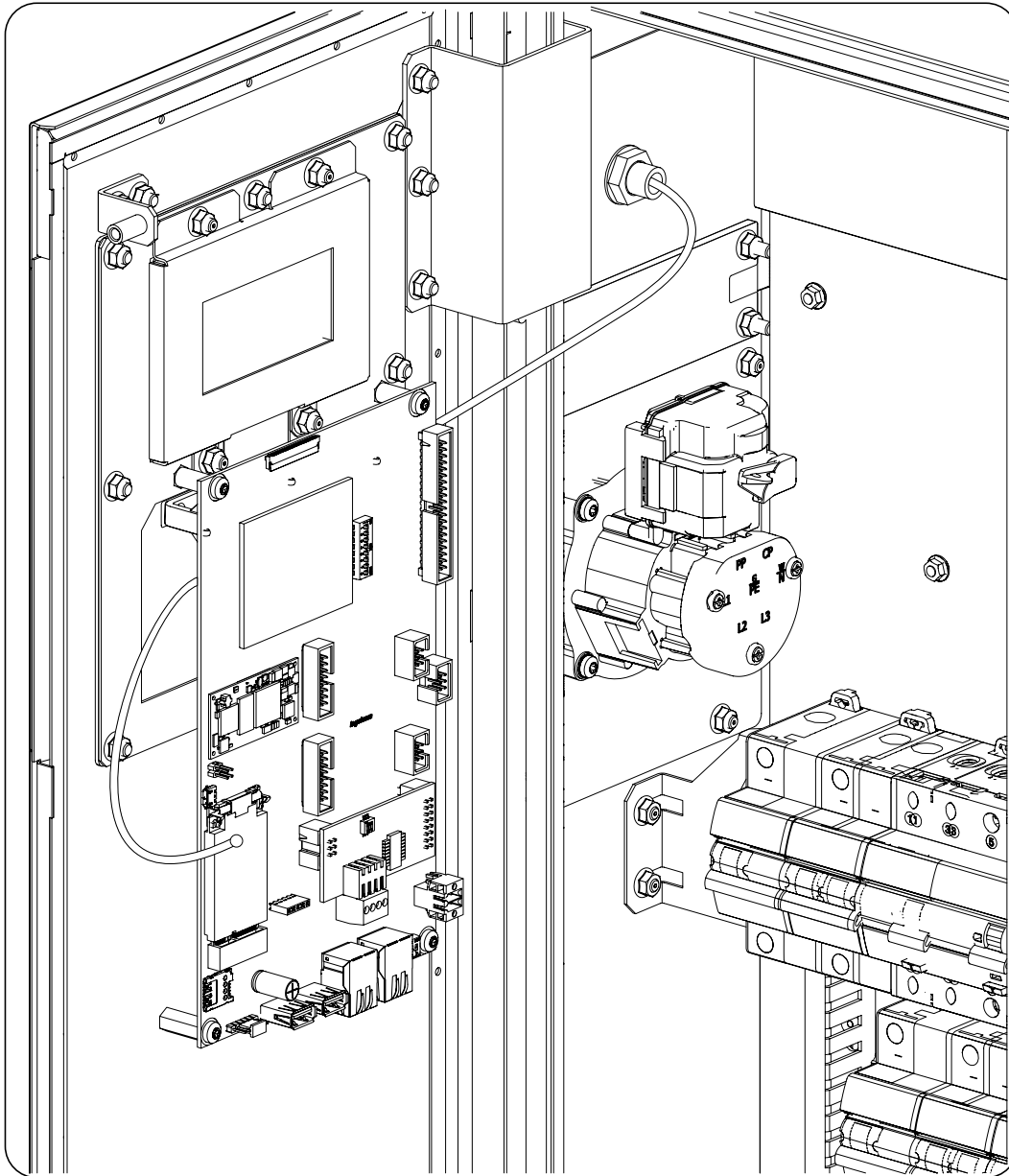
2. In the left side of the station, remove the gray pre-cut material in the following figure.



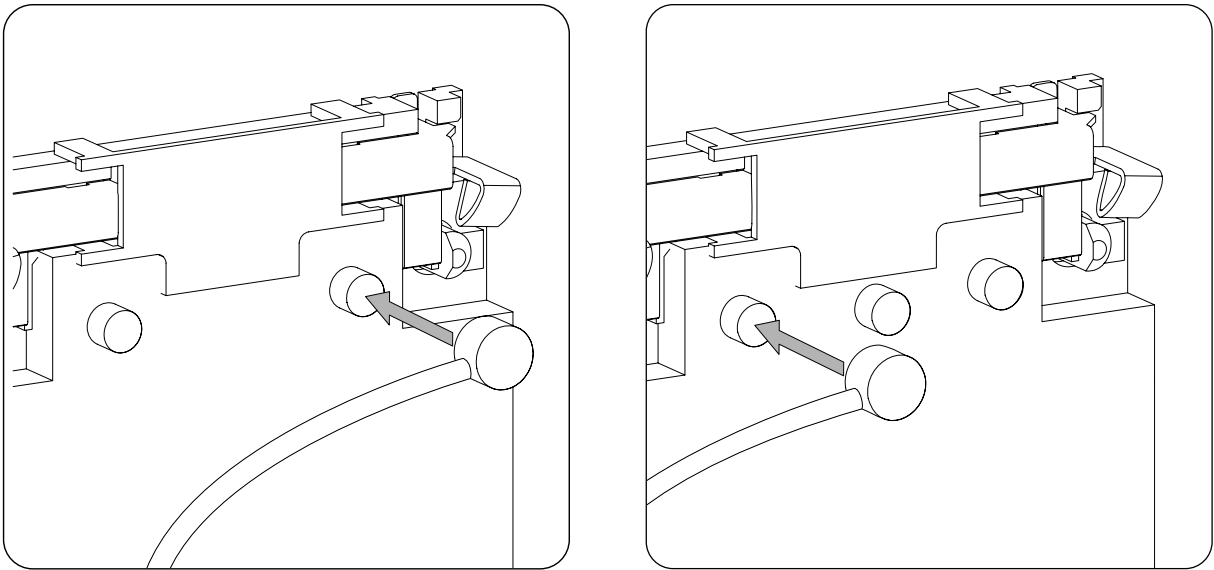
3. Install the 3G/4G antenna.



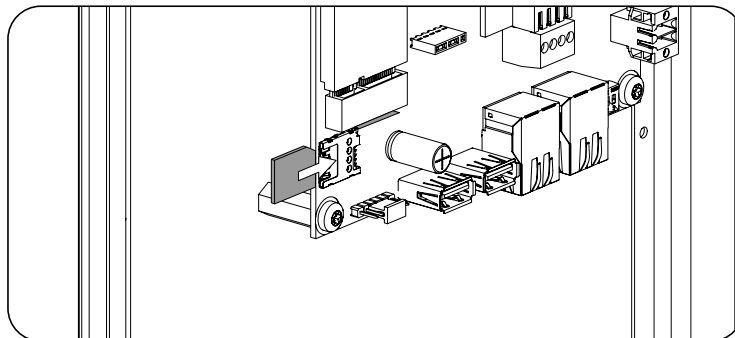
4. Pass the antenna cable around the bottom part of the control card located in the station door.



5. Connect the antenna cable according to the installed modem model.



6. Insert the Micro SIM card in the available housing in the lower part of the modem.



7. Check that the door closes correctly and that there is no tension in the antenna cable.

## 8. Power supply connection

This chapter explains the requirements and process for connecting the power supply cabling to the unit.

Read carefully before starting the connection process.

### INFO

Consult section “*Important safety instructions*” and the following instructions before working on the unit.

### 8.1. Safety instructions for connecting the power supply

#### DANGER

Make sure there is no voltage present on the unit before starting the connection.

**Do not switch on the power** to the unit until you have successfully made the rest of the connections and the unit is closed.

Use the Personal Protective Equipment specified in section “*Personal Protective Equipment (PPE)*”.

During the connection, make sure of the proper installation of the cables on the unit's terminals so that parts of accessible wires do not remain live.

Respect the polarity of the power supply wiring.

#### CAUTION

Ingeteam accepts no liability for any damages caused by an incorrect connection.

### 8.2. Wiring requirements for connecting the power supply

To guarantee the safety of persons, for the unit to function correctly and comply with the applicable standards, the unit must be connected to the ground of the installation.

If the charger and the grid connection point are far enough apart to require the use of cables with a larger gage, an external distribution box should be used close to the charger to make this connection.

The power supply connection must be made using single-pole cables. A total of 3 or 5 cables will be used depending on if a single phase supply is connected (phase, neutral and ground) or three phase (three phases, neutral and ground). The conductor material may be copper or aluminum.

#### CAUTION

If using aluminum cables, the installer must provide the necessary means to prevent galvanic coupling (bipolar terminals, bimetallic interfaces, etc.).

The rated current of the switch or terminal block for the connection is 80 A, depending on the model.

### INFO

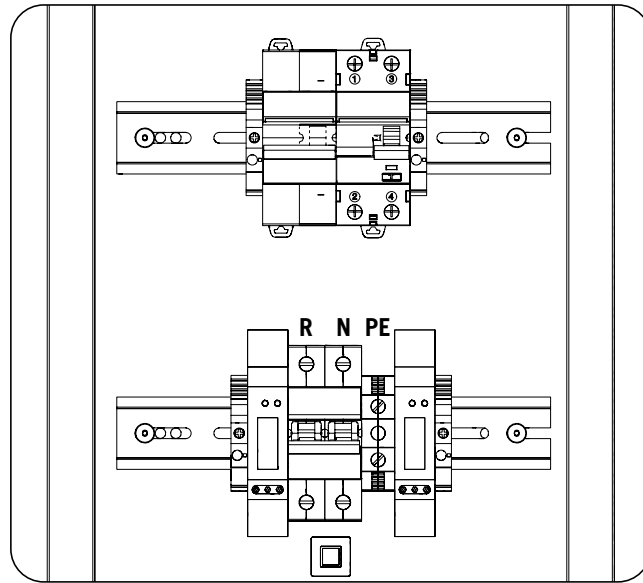
A three phase unit can work as a single phase unit connected to only one phase, neutral and ground, provided the phase is connected to the unit's R phase.

The dimensioning of the ground wiring will be the responsibility of the installer and must meet applicable regulatory requirements in the installation.

### 8.3. Power supply connection process

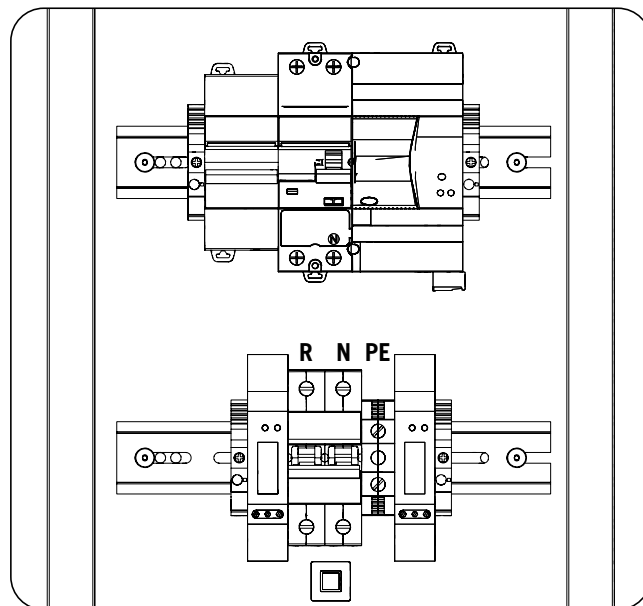
1. Insert the wiring through the cable inlets provided in the lower part of the charger.
2. Establish the connection respecting the polarities according to the type of unit.

**FS1MW / FW1MW: Single phase with protections**



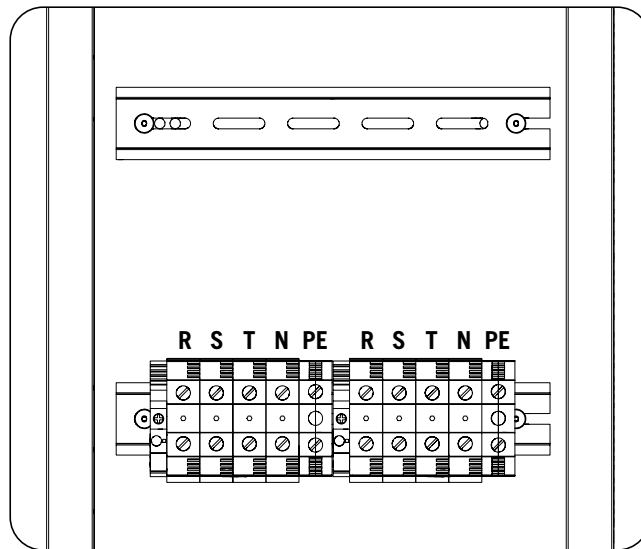
Connection specifications			
Connection	Admitted wire gauges		Tightening torque
	Flexible cables	Rigid cables	
R, N	6 ~ 70 mm <sup>2</sup>	6 ~ 50 mm <sup>2</sup>	2.5 Nm
PE	2.5 ~ 50 mm <sup>2</sup>	2.5 ~ 16 mm <sup>2</sup>	4 Nm

**FS1AW / FW1AW: Single phase with automatically resettable protections**



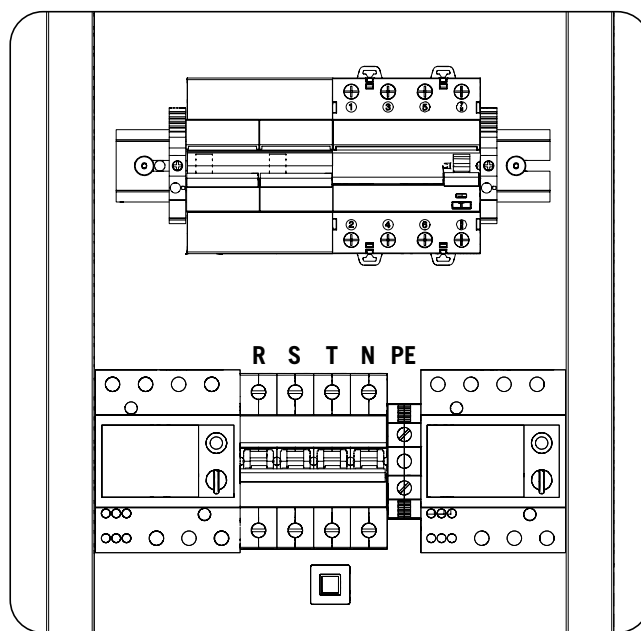
Connection specifications			
Connection	Admitted wire gauges		Tightening torque
	Flexible cables	Rigid cables	
R, N	6 ~ 70 mm <sup>2</sup>	6 ~ 50 mm <sup>2</sup>	2.5 Nm
PE	2.5 ~ 50 mm <sup>2</sup>	2.5 ~ 16 mm <sup>2</sup>	4 Nm

**FS3NN / FW3NN: Three phase without protections**

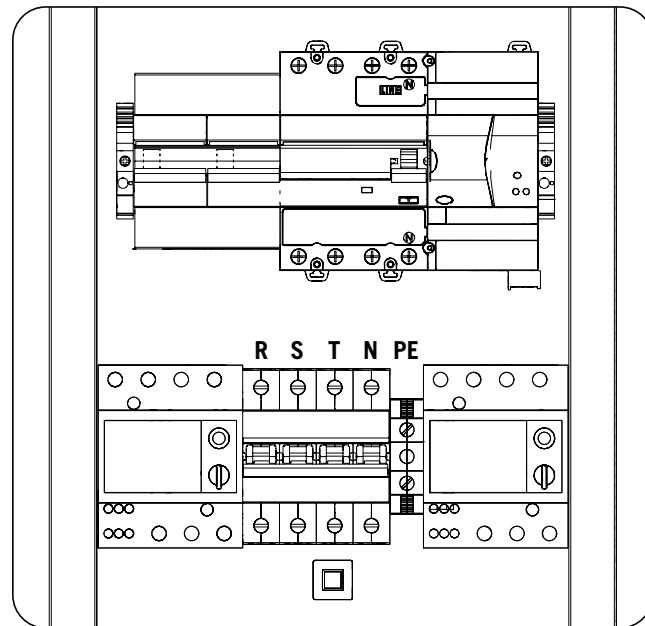


Connection specifications			
Connection	Admitted wire gauges		Tightening torque
	Flexible cables	Rigid cables	
R, S, T, N, PE	2.5 ~ 50 mm <sup>2</sup>	2.5 ~ 16 mm <sup>2</sup>	4 Nm

**FS3MW / FW3MW: Three phase with protections**



Connection specifications			
Connection	Admitted wire gauges		Tightening torque
	Flexible cables	Rigid cables	
R, S, T, N,	6 ~ 70 mm <sup>2</sup>	6 ~ 50 mm <sup>2</sup>	2.5 Nm
PE	2.5 ~ 50 mm <sup>2</sup>	2.5 ~ 16 mm <sup>2</sup>	4 Nm

**FS3AW / FW3AW: Three phase with automatically resettable protections**

Connection specifications			
Connection	Admitted wire gauges		Tightening torque
	Flexible cables	Rigid cables	
R, S, T, N,	6 ~ 70 mm <sup>2</sup>	6 ~ 50 mm <sup>2</sup>	2.5 Nm
PE	2.5 ~ 50 mm <sup>2</sup>	2.5 ~ 16 mm <sup>2</sup>	4 Nm

3. Check the correct position of the cable grommet membrane and ensure the cabling is not taut.

## 9. First connection to the electric grid

This chapter details the process for the charger's first connection to the grid.

First review the unit.

### 9.1. Unit inspection

You must check the correct condition of the installation before start-up.

Each installation is different, depending on its characteristics, the country in which it is located or other special conditions which may apply. In all cases, before starting up, it is necessary to ensure that the installation complies with the applicable legislation and regulations and that at least the part to be started up is complete.

#### 9.1.1. Inspection

Before connecting the charger to the grid for the first time you must carry out a general inspection, which mainly consists of:

##### Wiring inspection

- Check that the cables are correctly joined to their connectors.
- Check that these cables are in a good condition and that there are no hazards in their environment which damage them, such as sources of intense heat, objects which could cut them or arrangements which put them at risk of impacts or pulling.

##### Review the unit's fastening

Check that the unit is secured firmly and is not at risk of falling.

#### 9.1.2. Hermetic sealing of the unit

Ensure during installation operations that the unit's level of sealing has not been altered during connection operations.

Check the correct adjustment of the connectors and that any cable grommets are well sealed.



## 10. Configuration

A local connection is required to configure the unit for the first time. Once this first configuration has been carried out, a remote connection can also be established. The processes for each case are described below.

The configuration is done through the INGEREV WEB Manager application.

### 10.1. Local connection

To establish a local connection the charger and computer must be connected to the same communication network.

The local connection can be done through an Ethernet or Wi-Fi network.

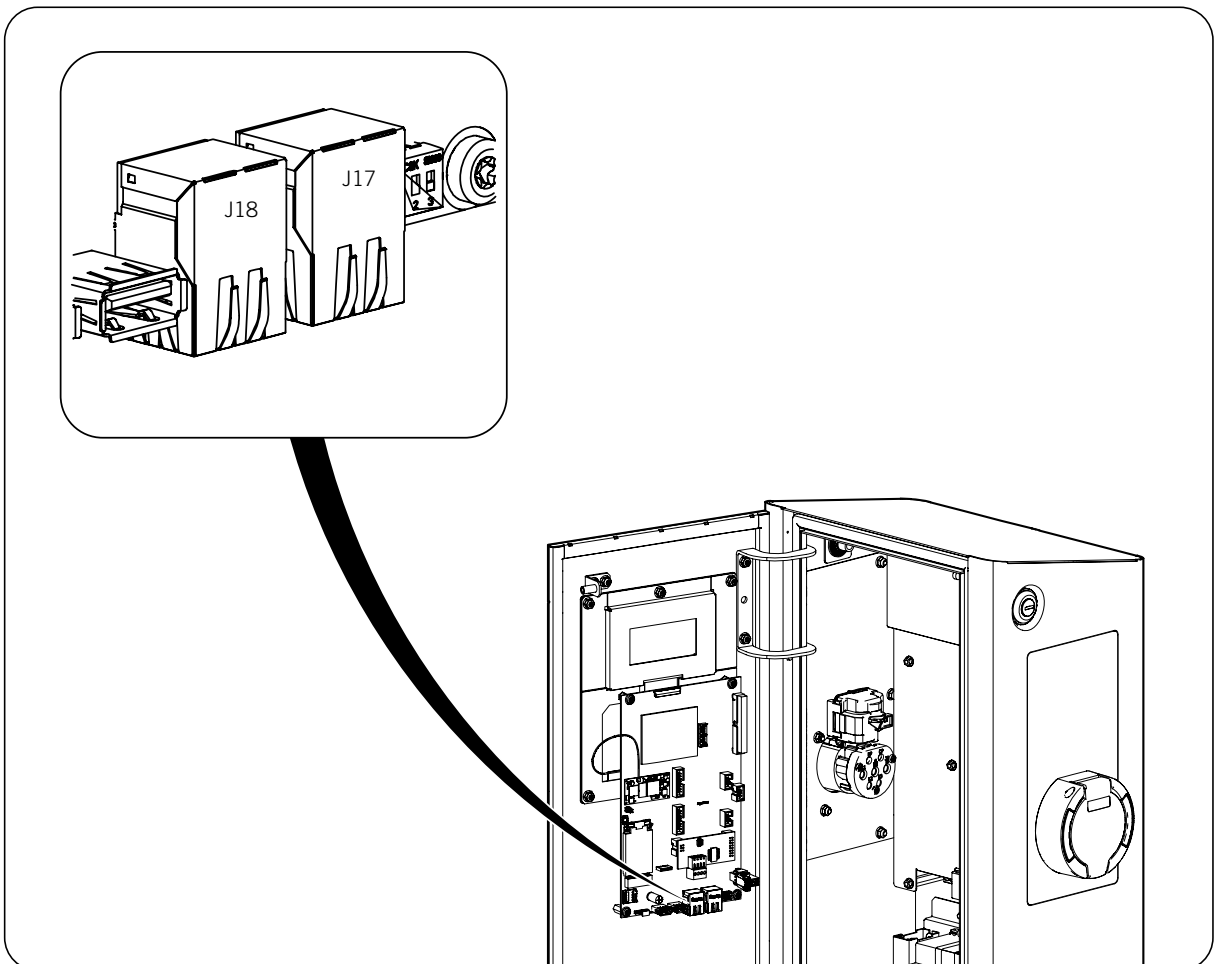
#### 10.1.1. Local connection via Ethernet

##### CAUTION

The Ethernet cabling must be category 5E or higher.

To make the connection, follow these steps:

1. Connect the computer to the unit using one of the available Ethernet connectors (J17 or J18).



2. On the laptop computer, open the web browser and open <http://serialNumber.local:8080>, where *serialNumber* corresponds to the unit's serial number (for example, <http://6SOA182A0001.local:8080>). The serial number is the unit's unique identification and is located on the specifications plate.
3. Enter the username and password. The username and password are specified on the documentation delivered with the unit.

4. Follow the instructions given by INGEREV WEB Manager.

### ⚠ CAUTION

Certain operating systems may reject the above URL due to their settings. In these cases, proceed as follows:

1. Connect the laptop computer to the unit's J17 or J18 connector using an Ethernet cable.
2. In a web browser access <http://192.168.1.33:8080>.
3. Follow the steps given in the browser to carry out the configuration process.

## 10.1.2. Local connection via Wi-Fi

By default the unit is configured in *Access Point* mode. This means that it creates a Wi-Fi network that allows connections from devices such as laptop computers, tablets or smartphones.

To make the connection, follow these steps:

1. Connect the device to the network created by the charger. The network name will be the same as the unit's serial number. The Wi-Fi network password is the first 8 digits of the password specified on the sticker on the documentation delivered with the unit.
2. On the device, open the browser and open <http://192.168.2.1:8080> or <http://SerialNumber.local:8080>.
3. Enter the username and password. The username and password are specified on the documentation delivered with the unit.
4. Follow the instructions given by INGEREV WEB Manager.

## 10.2. Remote connection

The purpose of remote connection is to have access to the charger when the charger and the computer are connected to the Internet from different communication networks. The charger must be connected to the Internet via Wi-Fi, Ethernet or 3G/4G.

To make the connection, follow these steps:

1. With the charger and the computer connected to the Internet, open the web browser and open <http://www.ingerev.com/SerialNumber>, where *SerialNumber* corresponds to the unit's serial number (for example, <http://www.ingerev.com/6SOA182A0001>). The serial number is the unit's unique identification and is located on the specifications plate.

### ⚠ CAUTION

The URL <http://www.ingerev.com/SerialNumber> can only be used to access the charger if it has a public IP. However, if it does not have a public IP, you will need to know the IP (*ipCargador*) in order to access it via <http://ipCargador:8080/>.

If it does not have a public IP, the computer and the charging point will need to be in the same network or APN.

2. Enter the username and password. The username and password are specified on the documentation delivered with the unit.

## 11. Operation

The main function of the charging station is to supply and measure electrical energy for users that have prior authorization with an RFID card reader system, except in stations configured without authentication.

This section describes the operation of the charging station in detail.

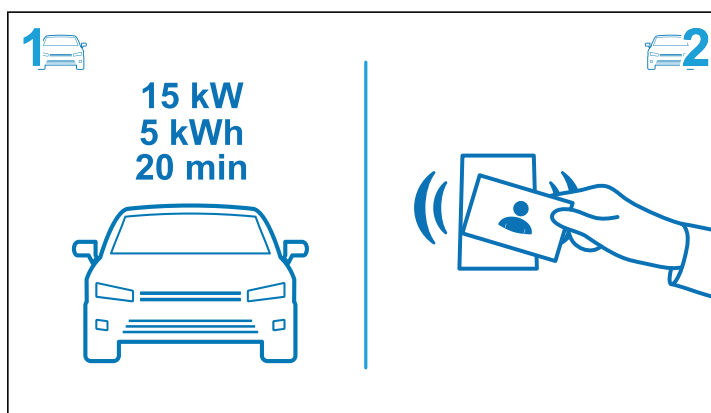
### 11.1. Status indication

The charging station indicates its current status by means of light signals. It has independent indicators for each power socket.

Status	Lighting	Description
Awaiting vehicle	Continuous green	The charging socket is waiting for a vehicle to be connected in order to proceed with charging.
Awaiting charge	Flashing yellow	A user has identified a card using the reader and the socket is waiting for the user to connect their vehicle to the station.
Charge	Continuous blue	A vehicle has been connected to the charging station.
Reduced consumption	Flashing blue	The consumption is reduced
Incident	Continuous red	There is an error in the station or the charging process is not being performed correctly.
Standby	None	The charging station has been remotely shut down.
End of session	Continuous yellow	The charge has finished.
Card rejected	Continuous red	The card is not valid or has not been recognized.

### 11.2. User interface

The display is divided into two independent areas, one for each available socket.



The interface guides the user's charging process.

### 11.3. Charging process

Depending on the client's requirements, the charging process will start with or without authentication. The process for each case is described below.

#### 11.3.1. Charging process with authentication

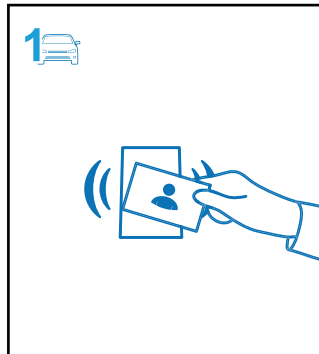
##### ⚠ CAUTION

The electrical supply connector must not be removed from the vehicle while the charging is being carried out.

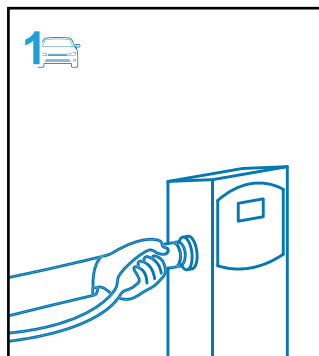
##### Starting the charge process

1. Check that the charging station is in *awaiting vehicle* status with the green light.

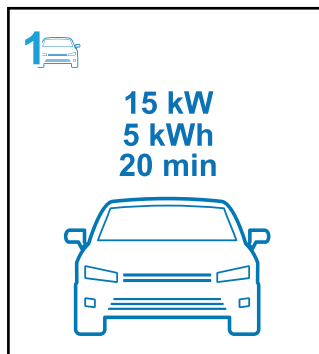
2. If you have an ID card, place the card next to the reader located on the area below the display. In the case of a correct reading the station switches to *awaiting charge* status. If the charging manager uses an app to manage the charge, follow the instructions on the app to start the process.



3. Connect the vehicle to the station.

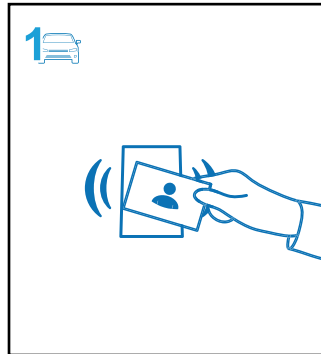


4. The charging starts. The lighting remains blue, fixed if there is consumption and flashing if there is not.

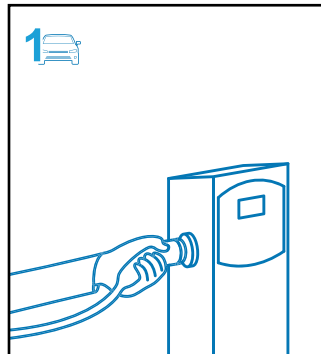


### Ending the charge process

1. To end the charging cycle, if you have an ID card, place it against the reader. If the charging is managed through the app, follow the instructions.



2. Disconnect the vehicle.

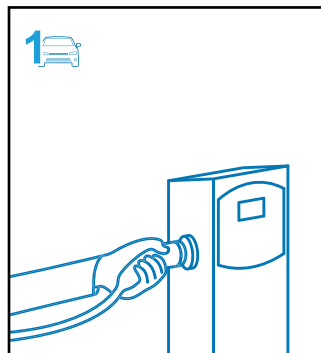


3. The charging process stops.

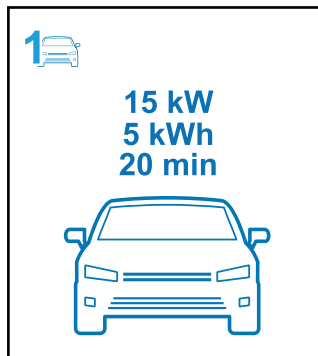
## 11.3.2. Charging process without authentication

### Starting the charge process

1. Connect the vehicle to the recharging station.

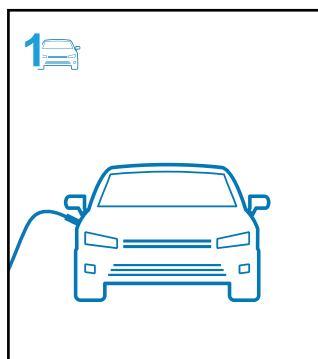


- The charging starts. The lighting remains blue, fixed if there is consumption and flashing if there is not.



**Ending the charge process**

- Disconnect the connector from the vehicle side.



- The charging process stops.

# 12. Troubleshooting

**CAUTION**

Station troubleshooting must be performed by qualified personnel in compliance with the general safety instructions in this manual.

## 12.1. Alarms

Code	Alarm	Description	Solution
0001	Fault in the installation	<p>The station protections have tripped.</p> <p>The station detects that the fault persists in the installation and the protections will not be restored until the fault disappears.</p>	<p>If manual reset protections are present, the station must be opened in order to gain access to these protections.</p> <p>Reset the protections with the switch in the incorrect position.</p> <p>Make sure that the cabling of the protections is correct and check that there are no loose or incorrectly tightened cables.</p> <p>If the error persists, contact the Ingeteam telephone support service.</p>
0002	Power interrupted	<p>The alarm can be due to two reasons:</p> <ul style="list-style-type: none"> <li>Absence of electricity grid. There is no electricity supply. The station restarts when it is restored.</li> <li>The protections have tripped. The protections have tripped but the fault causing the trip has disappeared.</li> </ul>	<p>If the error persists after the electrical grid supply is restored, check for the presence of voltage in the charging station connection socket.</p> <p>If the alarm was caused by a trip of the unit's internal protections, solve it according to what is established for alarm "001 Fault in the installation".</p>
0004	Door open	The unit's front door is open	Check that the unit's door is properly closed
0008	Power relay fault	The connector is powered when it should not be or is not powered when it should be.	Inform the technical service of the incident, indicating the error code
0016	Energy meter communication fault	The internal communication with the energy meter is not correct, possibly due to a trip of the protections. Proceed to check the electric installation with a qualified personnel to check if protections have tripped.	<p>Check the protections and reset them if necessary. If the fault continues, check that the connection is correct.</p> <p>If the alarm persists, contact the Ingeteam telephone assistance service.</p>
0032	Fault in RFID reader	Fault in RFID card reader	<p>If the problem persists, reset the unit (see section "13. Shutting down the unit").</p> <p>If the problem persists after restarting, contact Ingeteam.</p>
0128	DC leak	Depending on the model, charging stations can have a direct current leak sensor. A DC leak that causes the alarm to trigger originates from the electric vehicle that is being charged; thus it is not an alarm for the recharging station, rather the charge is stopped for safety reasons.	<p>The alarm will disappear when the session ends.</p> <p>If the alarm persists when there is no electric vehicle connected, contact the telephone support service.</p>
0256	Charging sequence fault	Incorrect charging sequence or disconnection of the vehicle during charging.	<p>If the alarm appears due to the vehicle's disconnection during the charge session, it will disappear upon completing the session. It also disappears if the unit is reset.</p> <p>If the alarm persists when there is no charge session in progress, contact the telephone assistance.</p>
0512	Maximum permitted charge current	The vehicle has not respected the maximum charge current allowed during a maximum established time.	The alarm will disappear upon completion of the charge session of the electric vehicle causing the alarm.

EN  
ES  
FR  
IT  
PT

Code	Alarm	Description	Solution
1024	Communication failure with the power manager	Failure in the communication between the station and power manager. This error appears if the station is configured to work together with a power manager, but it is not present.	Check the communication between the station and power manager. If there is no power manager, disable it in the station's configuration.



## 13. Shutting down the unit

This section describes the procedure to shut down the unit. If you wish to work inside the unit, you must carry out these instructions in the order shown here to remove the power.

1. If there is an active charge process, finalize the charge session.
2. In the case of a unit without protections, disconnect the power from the outside. If the unit has protections, open it and disconnect the main Q1 switch.
3. Wait 10 minutes for the internal capacitances to discharge, the hot parts which may cause burns to cool and the fan blades to stop turning.
4. Open the unit and, using the appropriate PPE, make sure there is no voltage in the AC feed or the switch output in the event the charging point includes one.
5. Signal cut-off point with a sign reading "*Caution no switching...*". If necessary, rope off the work area.

EN

ES

FR

IT

PT

## 14. Maintenance

### CAUTION

The recommended maintenance tasks must be carried out at least annually, except where otherwise stated.

### 14.1. Safety conditions

#### DANGER

All the maintenance checks included here must be carried out with the machine stopped, under safe conditions for handling, including those specified by the client for these types of operation.

An open housing never implies an absence of voltage in the unit, so only qualified personnel may access the unit, following the safe operation guidelines stipulated in this document.

Before opening the unit, you must remove the voltage as described in section “13. Shutting down the unit”).

Make sure there is no voltage present on the unit before starting maintenance operations.

When carrying out maintenance work on the unit, you must wear the personal protective equipment specified in section “Personal Protective Equipment (PPE)” of this document.

#### CAUTION

You must consider the set of conditions listed below as minimum requirements.

Ingeteam accepts no liability for any damages caused by improper use of the equipment. You must propose in advance to Ingeteam any work carried out on any equipment which implies a modification of the original electrical arrangements. These must be studied and approved by Ingeteam.

### 14.2. Condition of hoses and charging connectors

Check the condition of the hoses and connectors. They should not have dents or cuts. Check the proper operation of the connectors.

### 14.3. Condition of the housing

You must carry out a periodical inspection of the condition of the enclosure, verifying the condition of the locks and the door, as well as the anchoring of the units to the ground or wall.

Check for dents or scratches that might degrade the housing or cause it to lose its protection classification.

If these types of defect are noticed, the affected parts must be repaired or replaced.

### 14.4. Condition of cables and terminals

You must perform an annual inspection of the cable and terminals conditions:

- Check the correct path of the cables so they do not come into contact with live parts.
- Check the insulation deficiencies and hot spots by checking the color of the insulation and terminals.
- Check that the connections have the correct tightening torque.

## 15. Waste handling

These units use components that are harmful to the environment (electronic cards, batteries or cells, etc.).

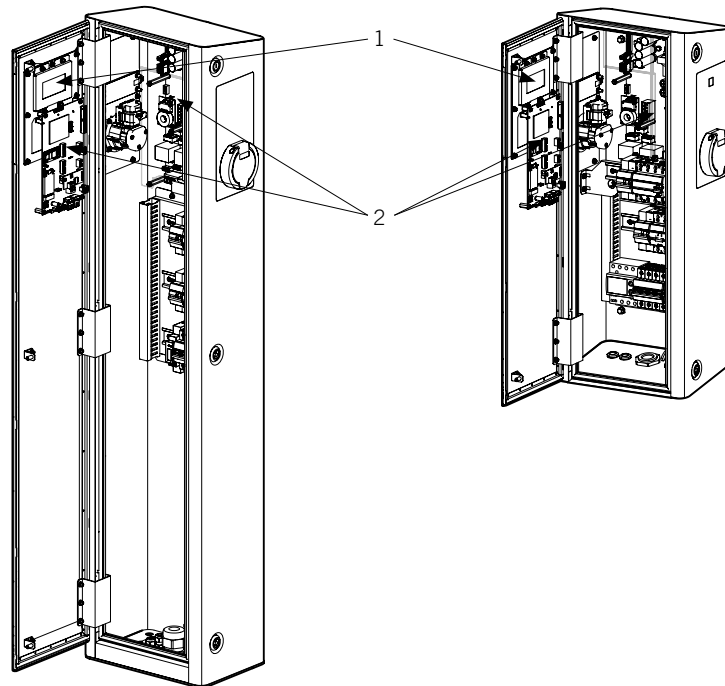


At the end of the unit's life, the waste must be correctly processed by an authorized hazardous waste management company.

Ingeteam, in accordance with its policy of respect for the environment, will inform the authorized manager, via this section, of the location of components to be decontaminated.

The elements within the unit that must be handled individually are:

1. Display
2. Printed circuit board cards



## Condiciones importantes de seguridad

A lo largo de este apartado se detallan los avisos de seguridad así como el Equipo de Protección Individual o las simbología utilizada en el equipo. **GUARDE ESTAS INSTRUCCIONES.**

### Condiciones de seguridad

#### Avisos generales

##### PELIGRO

La apertura de la envolvente no implica la ausencia de tensión en su interior.

Sólo podrá abrirla personal cualificado siguiendo las instrucciones de este manual.

Existe peligro de descarga eléctrica incluso después de desconectar la red.

Queda terminantemente prohibido acceder al interior del equipo por cualquier otro punto que no sean las puertas de acceso dispuestas para tal efecto. Siempre se accederá sin tensión.

##### ATENCIÓN

Las operaciones detalladas en el manual sólo pueden ser realizadas por personal cualificado.

La condición de personal cualificado a la que se refiere este manual, será como mínimo aquella que satisfaga todas las normas, reglamentos y leyes en materia de seguridad aplicables a los trabajos de instalación y operación de este equipo.

La responsabilidad de designar al personal cualificado siempre recaerá sobre la empresa a la que pertenezca este personal, debiendo decidir qué trabajador es apto o no para realizar uno u otro trabajo para preservar su seguridad a la vez que se cumple la legislación de seguridad en el trabajo.

Dichas empresas son responsables de proporcionar una adecuada formación en equipos eléctricos a su personal, y a familiarizarlo con el contenido de este manual.

Se recuerda que es obligatorio cumplir toda la legislación aplicable en materia de seguridad para el trabajo eléctrico.

El cumplimiento de las instrucciones de seguridad expuestas en este manual o de la legislación sugerida no exime del cumplimiento de otras normas específicas de la instalación, el lugar, el país u otras circunstancias que afecten al equipo.

El conjunto de condiciones que se detallan a lo largo de este documento deben considerarse como mínimas. Siempre es preferible cortar la alimentación general. Pueden existir defectos en la instalación que produzcan retornos de tensión no deseados. Existe peligro de descarga eléctrica.

Según normativa básica de seguridad, todo el equipo deberá ser adecuado para proteger a los trabajadores expuestos contra el riesgo de contactos directos e indirectos. En cualquier caso las partes eléctricas de los equipos de trabajo deberán ajustarse a lo dispuesto en la normativa específica correspondiente.

Según normativa básica de seguridad, la instalación eléctrica no deberá entrañar riesgo de incendio o explosión. Los trabajadores deberán estar debidamente protegidos contra los riesgos de accidente causados por contactos directos o indirectos. La instalación eléctrica y los dispositivos de protección deberán tener en cuenta la tensión, los factores externos condicionantes y la competencia de las personas que tengan acceso a partes de la instalación.

Para comprobar ausencia de tensión es obligatorio utilizar elementos de medida de categoría III-1100 Voltios.

##### INFO

Estas instrucciones deben estar bien accesibles cerca del equipo y situadas al alcance de todos los usuarios.

Antes de la instalación y puesta en marcha, por favor, leer atentamente estas instrucciones de seguridad y avisos así como todos los signos de advertencia colocados en el equipo. Asegurarse de que todos los signos de advertencia permanecen perfectamente legibles y que los dañados o desaparecidos son restituidos.

La protección contra contactos directos se realiza mediante la envolvente.

**i INFO**

El equipo ha sido ensayado según normativa aplicable para cumplir los requisitos de seguridad, los valores de las distancias de aislamiento y líneas de fuga para las tensiones de utilización.

**Peligros potenciales para las personas****⚠ PELIGRO**

Choque eléctrico.

El equipo puede permanecer cargado después de desconectar la alimentación de red.

Seguir cuidadosamente los pasos para quitar tensión obligados en el manual.

Explosión.

Existe un riesgo muy improbable de explosión en casos muy específicos de mal funcionamiento.

La carcasa protegerá de la explosión a personas y bienes únicamente si está correctamente cerrada.

Aplastamiento y lesiones articulares.

Seguir siempre las indicaciones del manual para mover y emplazar el equipo.

El peso de este equipo puede producir lesiones si no se manipula correctamente.

**Peligros potenciales para el equipo****⚠ PELIGRO**

No tocar tarjetas ni componentes electrónicos. Los componentes más sensibles pueden dañarse o destruirse por la electricidad estática.

No desconectar o conectar ningún terminal mientras el equipo está funcionando. Desconectar y comprobar la ausencia de tensión antes.

## Equipo de Protección Individual (EPI)

Siempre que se trabaje en el equipo usar, como mínimo, el siguiente equipamiento de seguridad recomendado por Ingeteam.

Denominación	Explicación
Calzado de seguridad	Conforme a la norma <i>UNE-EN-ISO 20345:2012 ANSI Z41.1-1991</i>
Casco con pantalla facial	Conforme a la norma <i>UNE-EN 397:1995, ANSI Z89.1-2014</i> , siempre que existan elementos con tensión directamente accesibles
Ropa de trabajo	Ceñida al cuerpo, no inflamable, 100% de algodón
Guantes dieléctricos	Conforme a la norma <i>EN 60903:2005 ASTM D 120-87</i>

Las herramientas y/o equipos empleados en trabajos en tensión deben poseer, al menos, aislamiento de categoría III-1100 Voltios.

En caso de que normativas propias del lugar exijan otro tipo de equipo de protección individual, el equipo recomendado por Ingeteam se deberá completar adecuadamente.

## Símbolos

En el equipo se incluyen los siguientes avisos:

quipo se incluyen los siguientes avisos:



### Riesgo eléctrico

**Aviso de tensión peligrosa:** advierte de alta tensión que podría provocar lesiones graves o mortales y/o daños al equipo.



**Precaución, superficie caliente:** advierte de superficies calientes que podrían provocar quemaduras graves.



Puesta a tierra



Es obligatorio leer el manual de instrucciones.



El equipamiento eléctrico y electrónico no se debe desechar en el contenedor de basura doméstica.

# Contenidos

Condiciones importantes de seguridad .....	49
Condiciones de seguridad .....	49
Equipo de Protección Individual (EPI) .....	51
Símbolos .....	51
Contenidos .....	52
1. Información sobre este manual .....	54
1.1. Campo de aplicación .....	54
1.2. Destinatarios .....	54
1.3. Avisos .....	54
2. Descripción del equipo .....	55
2.1. Visión general .....	55
2.2. Modelos .....	55
2.3. Tabla de características .....	56
2.4. Tomas de corriente .....	57
2.5. Protecciones .....	58
2.6. Requerimientos EMC .....	59
2.7. Accesos de cableado .....	59
2.7.1. INGEREV FUSION Street .....	60
2.7.2. INGEREV FUSION Wall .....	60
3. Recepción del equipo y almacenamiento .....	62
3.1. Recepción .....	62
3.2. Identificación del equipo .....	62
3.3. Daños en el transporte .....	62
3.4. Almacenamiento .....	62
3.5. Conservación .....	62
4. Transporte del equipo .....	63
4.1. Transporte .....	63
4.2. Desembalaje .....	63
5. Preparación para la instalación del equipo .....	64
5.1. Entorno .....	64
5.2. Condiciones medioambientales .....	64
5.3. Superficie de apoyo y anclaje .....	65
6. Instalación del equipo .....	67
6.1. Requerimientos generales de instalación .....	67
6.2. INGEREV FUSION Street .....	67
6.3. INGEREV FUSION Wall .....	69
7. Conexión de accesorios .....	71
7.1. Indicaciones de seguridad para la conexión de accesorios .....	71
7.2. Comunicación vía Ethernet .....	71
7.2.1. Requisitos del cableado .....	71
7.2.2. Proceso de conexión .....	71
7.3. Comunicación vía 3G/4G (opcional) .....	72
7.3.1. Proceso de conexión .....	72
8. Conexión de la alimentación .....	76
8.1. Indicaciones de seguridad para la conexión de la alimentación .....	76
8.2. Requisitos del cableado para la conexión de la alimentación .....	76
8.3. Proceso de conexión de la alimentación .....	76
9. Primera conexión a la red eléctrica .....	80
9.1. Revisión del equipo .....	80
9.1.1. Inspección .....	80
9.1.2. Cierre hermético del equipo .....	80
10. Configuración .....	81
10.1. Conexión local .....	81
10.1.1. Conexión local a través de Ethernet .....	81

- 10.1.2. Conexión local a través de Wi-Fi ..... 82
- 10.2. Conexión remota ..... 82
- 11. Funcionamiento ..... 83
  - 11.1. Indicación de estados..... 83
  - 11.2. Interfaz de uso ..... 83
  - 11.3. Proceso de carga..... 83
    - 11.3.1. Proceso de carga con autenticación ..... 83
    - 11.3.2. Proceso de carga sin autenticación ..... 85
- 12. Solución de problemas ..... 87
  - 12.1. Alarmas ..... 87
- 13. Desconexión del equipo ..... 89
- 14. Mantenimiento ..... 90
  - 14.1. Condiciones de seguridad ..... 90
  - 14.2. Estado de las mangueras y conectores de carga ..... 90
  - 14.3. Estado de la envolvente ..... 90
  - 14.4. Estado de los cables y terminales ..... 90
- 15. Tratamiento de residuos..... 91

EN  
**ES**  
 FR  
 IT  
 PT



# 1. Información sobre este manual

El propósito de este manual es describir las estaciones de recarga de vehículo eléctrico INGEREV FUSION y dar la información adecuada para su correcta recepción, instalación, puesta en marcha, mantenimiento y operación.

Guarde este manual durante toda la vida útil del equipo.

## INFO

Para descargar la última versión de este manual consultar la web [www.ingetteam.com](http://www.ingetteam.com).

## 1.1. Campo de aplicación

Este manual es válido para las siguientes estaciones de carga:

### INGEREV FUSION Street

- FS1MW (monofásico con protecciones manuales y vatímetros)
- FS1AW (monofásico con protecciones, diferencial con rearme automático y vatímetros)
- FS3NN (trifásico sin protecciones, sin vatímetros)
- FS3MW (trifásico con protecciones manuales y vatímetros)
- FS3AW (trifásico con protecciones, diferencial con rearme automático y vatímetros)

### INGEREV FUSION Wall

- FW1MW (monofásico con protecciones manuales y vatímetros)
- FW1AW (monofásico con protecciones, diferencial con rearme automático y vatímetros)
- FW3NN (trifásico sin protecciones, sin vatímetros)
- FW3MW (trifásico con protecciones manuales y vatímetros)
- FW3AW (trifásico con protecciones, diferencial con rearme automático y vatímetros)

## 1.2. Destinatarios

El presente documento está orientado a personal cualificado.

La condición de personal cualificado a la que se refiere este manual, será como mínimo aquella que satisfaga todas las normas, reglamentos y leyes en materia de seguridad aplicables a los trabajos de instalación y operación de este equipo.

La responsabilidad de designar al personal cualificado siempre recaerá sobre la empresa a la que pertenezca este personal, debiendo decidir qué trabajador es apto o no para realizar uno u otro trabajo para preservar su seguridad a la vez que se cumple la legislación de seguridad en el trabajo.

Dichas empresas son responsables de proporcionar una adecuada formación en equipos eléctricos a su personal, y a familiarizarlo con el contenido de este manual.

## 1.3. Avisos

A lo largo de este manual se incluyen avisos para enmarcar información que desea ser resaltada. En función de la naturaleza del texto contenido existen tres tipos de avisos:



Indica riesgos para la integridad del personal o del inversor.



Indicación de carácter importante.



Información adicional o referencias a otras partes del documento o a otros documentos.

## 2. Descripción del equipo

### 2.1. Visión general

Los cargadores INGEREV FUSION son el modelo de cargador en alterna preparado para atender todas las exigencias de la recarga de vehículos eléctricos en entornos públicos y privados.

Permiten la recarga simultánea de dos vehículos y con sus diferentes configuraciones de tomas de corriente son compatibles con el modo 3, así como con los modos 1 y 2.

Han sido diseñados para el uso en interiores y exteriores y pueden ser instalados en ubicaciones de acceso no restringido.

### 2.2. Modelos

La gama INGEREV FUSION se encuentra disponible en dos versiones: FUSION Street para instalación en suelo, y FUSION Wall para instalación en pared. En estas versiones están disponibles las siguientes variantes:

	Variantes de los modelos INGEREV FUSION Street / Wall				
	FS1MW / FW1MW	FS1AW / FW1AW	FS3NN / FW3NN	FS3MW / FW3MW	FS3AW / FW3AW
Red	Monofásica	Monofásica	Trifásica	Trifásica	Trifásica
Medidor de potencia	•	•	•	•	•
Vatímetro MID	•	•		•	•
Dispositivo de corriente residual Tipo A manual	•			•	
Dispositivo de corriente residual Tipo A rearmable		•			•
Protección contra sobrecorrientes (Curva C)	•	•		•	•

## 2.3. Tabla de características

	INGEREV FUSION Street		INGEREV FUSION Wall	
	Monofásico (FS1)	Trifásico (FS3)	Monofásico (FW1)	Trifásico (FW3)
<b>Entradas y salidas AC</b>				
Tensión	1ph. + N +PE 230 Vac ± 15%	3ph. + N +PE 400 Vac ± 15%	1ph. + N +PE 230 Vac ± 15%	3ph. + N +PE 400 Vac ± 15%
Máxima potencia de entrada	14,8 kW (7,4 kW + 7,4 kW)	44 kW (22 kW + 22 kW)	14,8 kW (7,4 kW + 7,4 kW)	44 kW (22 kW + 22 kW)
Frecuencia	50 / 60 Hz			
Máxima corriente de entrada	64 A (32 A + 32 A)			
Conectores de salida	Configurable (tipo 1 y tipo 2 tanto en socket como en cable, Tipo 3A, CEE 7/3 Tipo F, CEE 7/5 tipo E)			
Modo de conexión	5 tipos de enchufe y 2 tipos de cable			
<b>Normativa y seguridad</b>				
Normativas estándar	IEC-61851-1, IEC-61851-21-2, IEC-61000			
Sobrecorriente	Dispositivo de protección contra sobrecorrientes (curva C)			
Contactos indirectos	Dispositivo de corriente residual (RCD) 30 mA tipo A <sup>(1)</sup> / Detector de fugas de corriente continua (opcional)			
Sobretensiones <sup>(1)</sup>	Protección contra sobretensiones Tipo III			
<b>Funcionalidades y accesorios</b>				
Comunicaciones	Ethernet, Wi-Fi, Switch Ethernet GPRS-3G/4G (opcional)			
Protocolo de comunicaciones	OCPP			
HMI	4,3" pantalla TFT a color, RFID (Mifare Classic 1K&4K, MifareDesFire WW1, NFC)			
<b>Información general</b>				
Consumo en stand-by	< 10 W			
Medición de energía	2 x Vatímetros MID			
Temperatura de funcionamiento	-25 °C a 50 °C			
Humedad	<95%			
Altitud máxima	2000 m			
Peso	33 kg (2 x Tipo 2)		24 kg (2 x Tipo 2)	
Dimensiones (alto x ancho x fondo)	1400 x 320 x 215 mm		800 x 320 x 215 mm	
Envolvente	Acero galvanizado			
Grado de protección	IP54 / IK10 (display IK08)			
Grado de contaminación	PD3			
Marcado	CE			
Directivas	Directiva de Baja Tensión: 2014/35/EU Directiva EMC: 2014/30/EU			

<sup>(1)</sup> Protección manual o rearmable dependiendo del modelo

<sup>(2)</sup> Existe la alternativa de Tipo B

## 2.4. Tomas de corriente

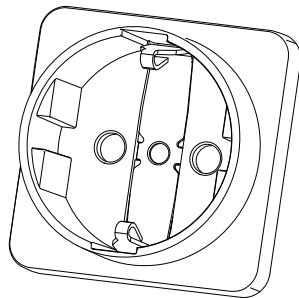
**⚠ ATENCIÓN**

No se permite el uso de adaptadores, convertidores ni prolongadores para la recarga de vehículos eléctricos.

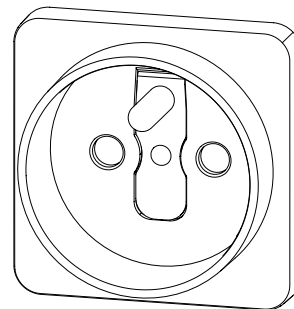
Estas estaciones de recarga pueden adquirirse con distintas configuraciones de conectores y mangueras en función de las necesidades del cliente. Permiten la recarga simultánea de dos vehículos conectando cada uno de ellos en un lateral del punto de recarga.

La configuración más habitual incluye una única toma en cada uno de los laterales, pudiendo instalar un máximo de dos tomas en el lateral derecho. En tal caso, esas dos tomas no podrán utilizarse de manera simultánea.

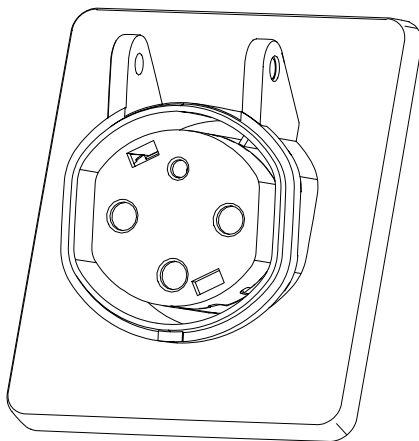
Los distintos conectores disponibles se muestran a continuación.



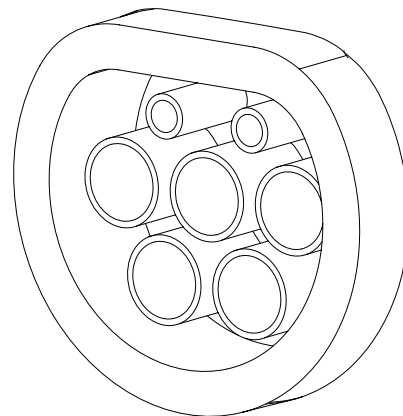
CEE 7/3 Tipo F



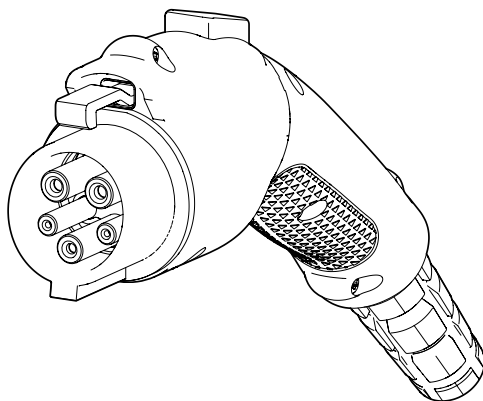
CEE 7/5 Tipo E



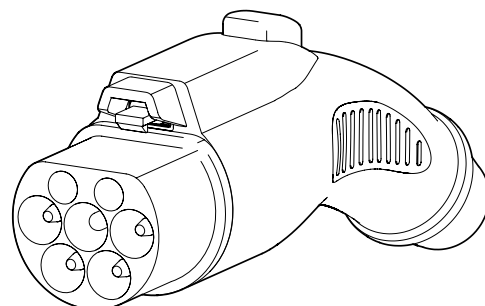
IEC 62196-2 Tipo 3A



IEC 62196-2 Tipo 2



Cable Tipo 1



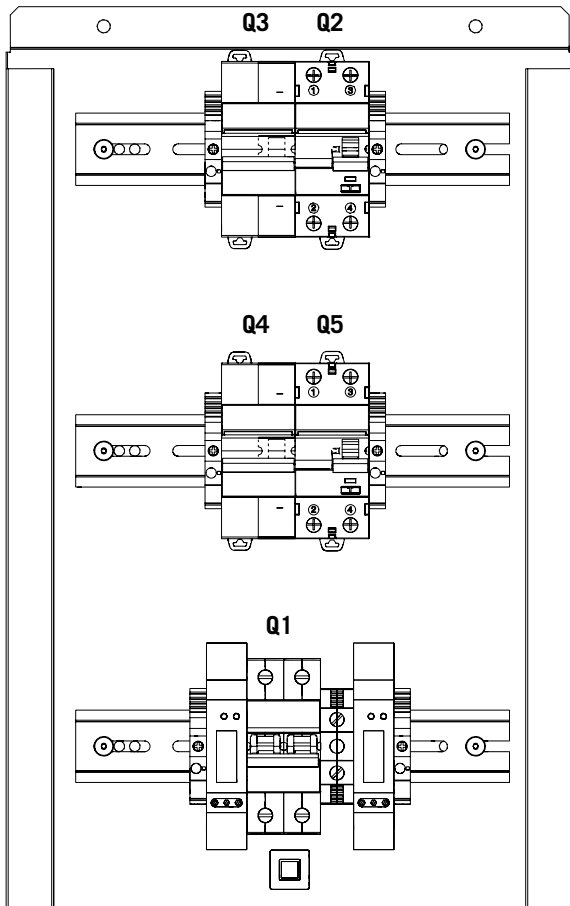
Cable Tipo 2

## 2.5. Protecciones

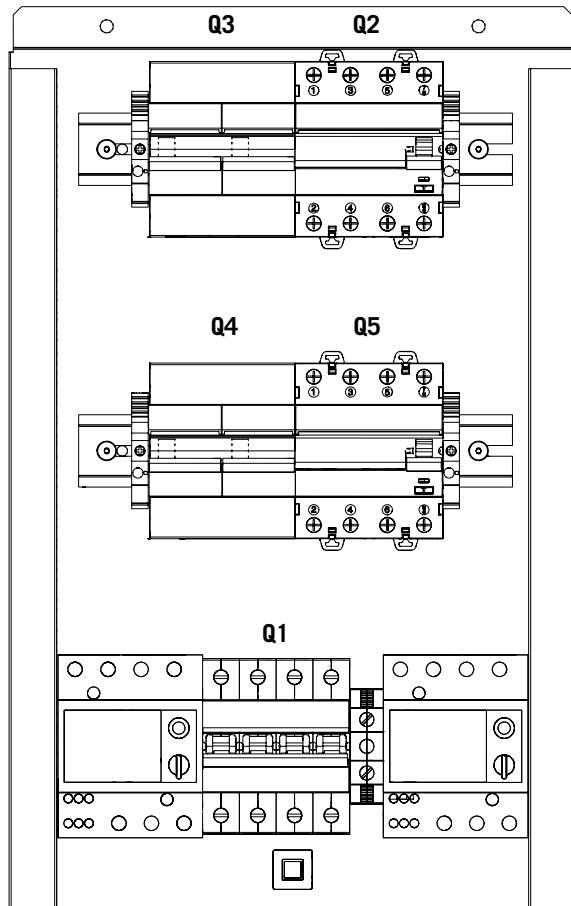
En función del modelo la estación de recarga puede disponer de varias protecciones, descritas a continuación.

**⚠ ATENCIÓN**

En los modelos que no incorporan protecciones (FS3NN / FW3NN), éstas deben ser instaladas aguas arriba del cargador de manera que cada punto de conexión esté alimentado individualmente por un circuito protegido por un dispositivo de protección contra sobrecorrientes y un dispositivo diferencial residual.



*FS1MW / FW1MW (monofásico con protecciones manuales y vatímetros)*



*FS3MW / FW3MW (trifásico con protecciones manuales y vatímetros)*

Para ambos casos:

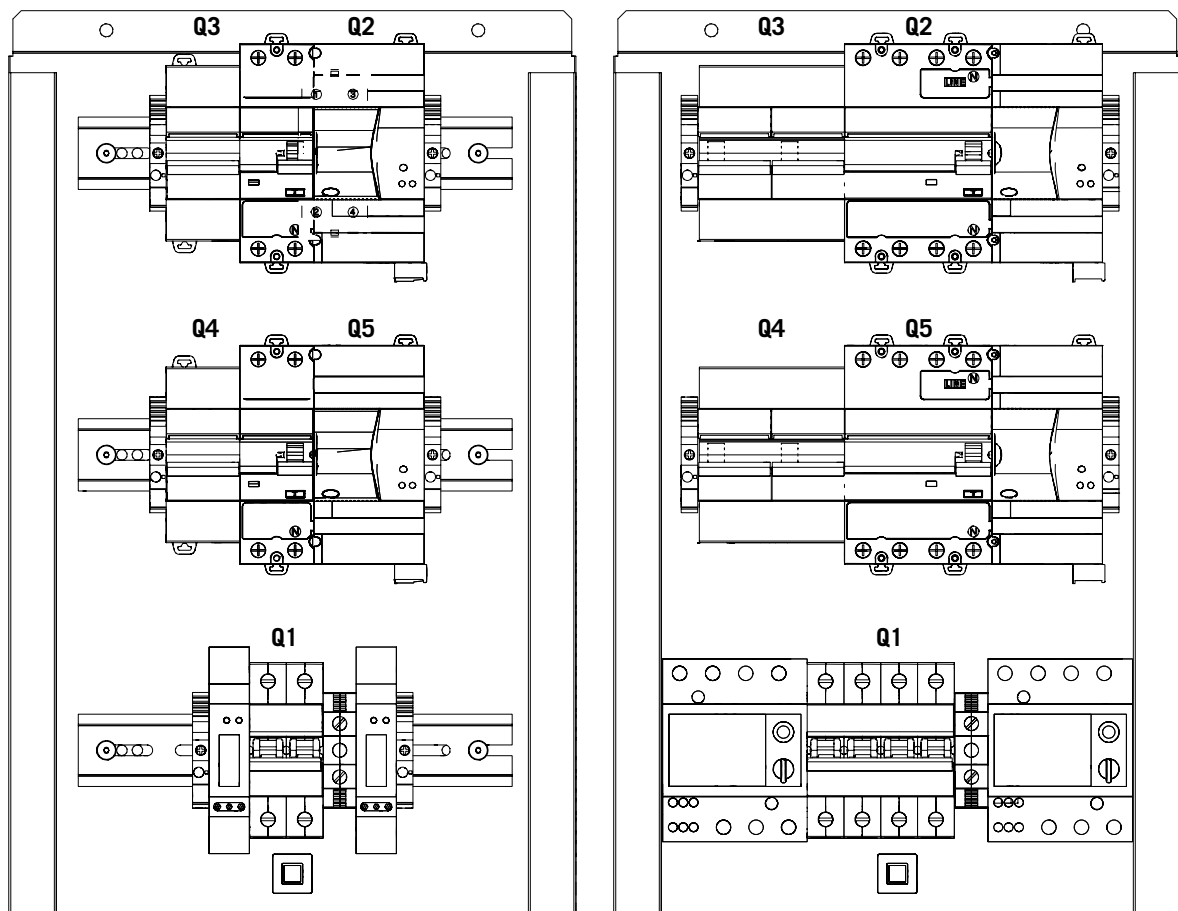
Q1: Seccionador principal 80 A

Q2, Q5: Interruptor diferencial 30 mA tipo A

Q3, Q4: Interruptor magnetotérmico curva C

Q2 y Q3 protegen la toma de corriente izquierda

Q4 y Q5 protegen la toma de corriente derecha



*FS1AW / FW1AW (monofásico con protecciones, diferencial con rearme automático y vatímetros)*

*FS3AW / FW3AW (trifásico con protecciones, diferencial con rearme automático y vatímetros)*

Para ambos casos:

- Q1: Seccionador principal 80 A
- Q2, Q5: Interruptor diferencial 30 mA tipo A
- Q3, Q4: Interruptor magnetotérmico curva C
- Q2 y Q3 protegen la toma de corriente izquierda
- Q4 y Q5 protegen la toma de corriente derecha

## 2.6. Requerimientos EMC

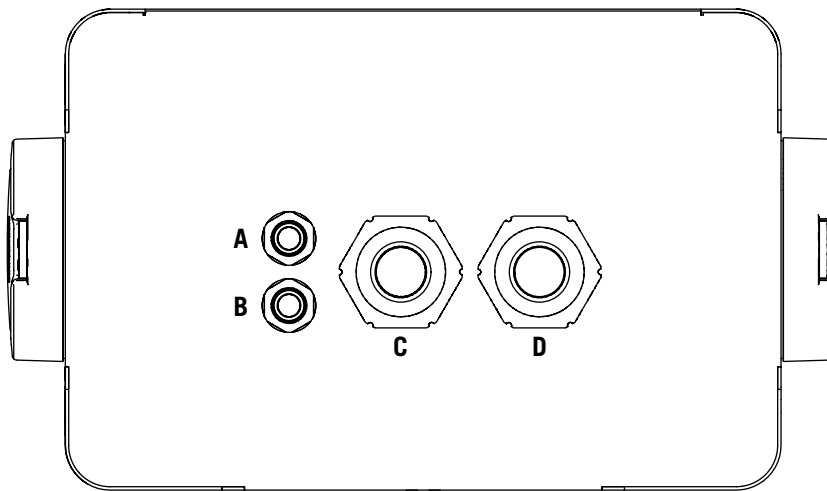
Estas estaciones de recarga disponen de los elementos de filtro necesarios para el cumplimiento de los requerimientos de EMC para aplicaciones domésticas con el fin de evitar perturbaciones en otros equipos exteriores a la instalación.

## 2.7. Accesos de cableado

En la parte inferior de la estación existen una serie de prensaestopas para introducir el cableado al interior.

### 2.7.1. INGEREV FUSION Street

Vista inferior



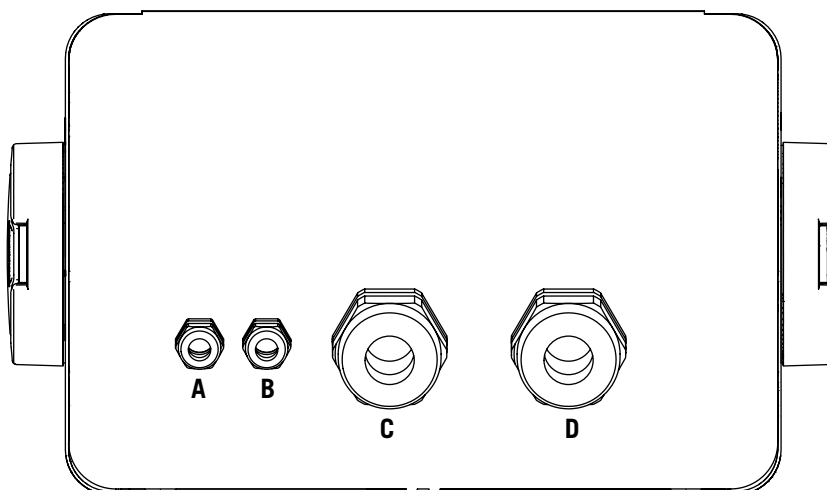
- |  |   |
|--|---|
| <p>A Entrada de comunicaciones. PG16, diámetro de cable admitido 4 ~ 10 mm</p> <p>B Salida de comunicaciones. PG16, diámetro de cable admitido 4 ~ 10 mm</p> | <p>C Entrada alimentación nº 1. PG40, diámetro de cable admitido 16 ~ 28 mm</p> <p>D Entrada alimentación nº 2. PG40, diámetro de cable admitido 16 ~ 28 mm</p> |
|--|---|

**i** INFO

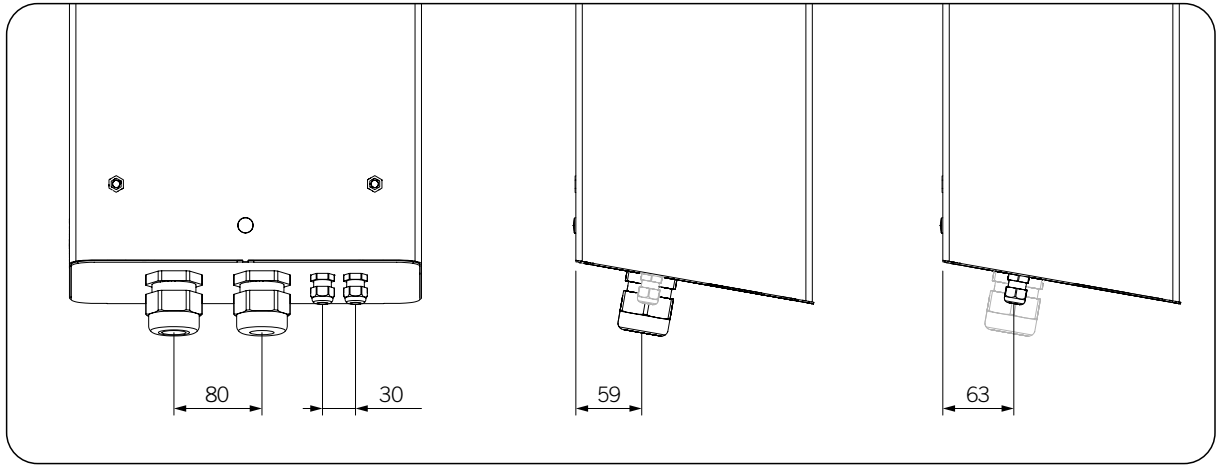
En las estaciones de suelo INGEREV FUSION Street, siendo preferible introducir el cableado a través de los accesos indicados en este apartado, es posible desinstalar la base metálica en la que van montados los prensaestopas para tener una superficie de acceso mayor.

### 2.7.2. INGEREV FUSION Wall

Vista inferior



- |  |   |
|--|---|
| <p>A Entrada de comunicaciones. PG16, diámetro de cable admitido 4 ~ 10 mm</p> <p>B Salida de comunicaciones. PG16, diámetro de cable admitido 4 ~ 10 mm</p> | <p>C Entrada alimentación nº 1. PG40, diámetro de cable admitido 16 ~ 28 mm</p> <p>D Entrada alimentación nº 2. PG40, diámetro de cable admitido 16 ~ 28 mm</p> |
|--|---|



EN  
ES  
FR  
IT  
PT



## 3. Recepción del equipo y almacenamiento

### 3.1. Recepción

Mantener el embalaje colocado hasta inmediatamente antes de su instalación.

### 3.2. Identificación del equipo

El número de serie del equipo lo identifica de forma inequívoca. En cualquier comunicación con Ingeteam se debe hacer referencia a este número.

El número de serie del equipo viene reflejado en la placa de características.

### 3.3. Daños en el transporte

Si durante el transporte el equipo ha sufrido daños actuar en el siguiente orden:

1. No proceder a la instalación.
2. Notificar este hecho inmediatamente al distribuidor dentro de los cinco días posteriores a la recepción del equipo.

Si finalmente fuese necesario devolver el equipo al fabricante, se deberá usar el mismo embalaje en el que se recibió.

### 3.4. Almacenamiento

#### ATENCIÓN

El incumplimiento de las instrucciones dadas en esta sección puede causar daños en el equipo.

Ingeteam no asume ninguna responsabilidad por daños derivados del incumplimiento de estas instrucciones.

Si el equipo no es instalado inmediatamente después de su recepción, se deberán tener en cuenta los siguientes puntos con el fin de evitar su deterioro:

- El equipo se debe almacenar en su embalaje original.
- Mantener el equipo libre de suciedad (polvo, virutas, grasa, etc.), así como de roedores.
- Evitar que reciba proyecciones de agua, chispas de soldaduras, etc.
- Cubrir el equipo con un material protector transpirable con el fin de evitar condensación debida a la humedad ambiental.
- Los equipos almacenados no deberán estar sometidos a condiciones climáticas diferentes a las indicadas en el apartado "2.3. Tabla de características".
- Es muy importante proteger el equipo frente a productos químicos que puedan producir corrosión, así como de ambientes salinos.
- No almacenar el equipo a la intemperie.

### 3.5. Conservación

Con el fin de permitir una correcta conservación de los equipos, no debe retirarse el embalaje original hasta el mismo momento de su instalación.

Se recomienda, en caso de almacenamiento prolongado, que este se realice en lugares secos, evitando, en lo posible, cambios bruscos de temperatura.

El deterioro del embalaje (cortes, agujeros, etc.) hace que los equipos no se mantengan en óptimas condiciones antes de su instalación. Ingeteam no se hace responsable en caso de incumplirse esta condición.

## 4. Transporte del equipo

Se deberá proteger el equipo durante su transporte de golpes mecánicos, vibraciones, proyecciones de agua (lluvia) y cualquier otro producto o situación que pueda dañar o alterar su comportamiento. La no observancia de estas instrucciones puede causar la pérdida de la garantía en el producto, de la cual Ingeteam no es responsable.

### 4.1. Transporte

#### ATENCIÓN

Esta totalmente prohibido el transporte o levantamiento del equipo tirando de las mangueras de carga.

#### Transporte mediante transpaleta

Se deberán observar al menos las siguientes prescripciones:

1. Depositar las estaciones de recarga embaladas y centradas respecto a las uñas.
2. Procurar colocarlas lo más cerca de la unión de las uñas con el tirador.
3. En cualquier caso, respetar el manual de utilización de la transpaleta.

#### Transporte mediante carretilla elevadora

Se deberán observar al menos las siguientes prescripciones:

1. Depositar las estaciones de recarga embaladas y centradas respecto a las uñas.
2. Procurar colocarlas lo más cerca de la unión de las uñas con el tirador.
3. Asegurarse que las pinzas están perfectamente niveladas para evitar posibles vuelcos del equipo.
4. En cualquier caso, respetar el manual de utilización de la carretilla.

Una vez que la estación de recarga se ha transportado al lugar donde se va a ubicar, y sólo cuando se vaya a instalar, se desembalará la estación.

En ese momento se puede transportar verticalmente una distancia corta sin el embalaje.

#### Transporte del equipo con el equipo desembalado

Se deberán observar al menos las siguientes prescripciones:

1. Seguir los consejos ergonómicos necesarios para levantar pesos.
2. No soltar el equipo hasta que esté perfectamente fijado o depositado.
3. Pedir que otra persona guíe los movimientos a realizar.

### 4.2. Desembalaje

Es de vital importancia la correcta manipulación de las estaciones de recarga con el fin de:

- No deteriorar el embalaje que permite mantener estos en óptimas condiciones desde su expedición hasta el momento de ser instalados.
- Evitar golpes y/o caídas de las estaciones de recarga que pudieran deteriorar las características mecánicas de las mismas.
- Evitar, en la medida de lo posible, las vibraciones que puedan provocar un mal funcionamiento posterior.
- Desembalar el equipo en posición horizontal.

En caso de observar alguna anomalía se deberá contactar inmediatamente con Ingeteam.

#### Segregación del embalaje

Todo el embalaje se puede entregar a un gestor autorizado de residuos no peligrosos.

En cualquier caso, el destino de cada parte del embalaje será:

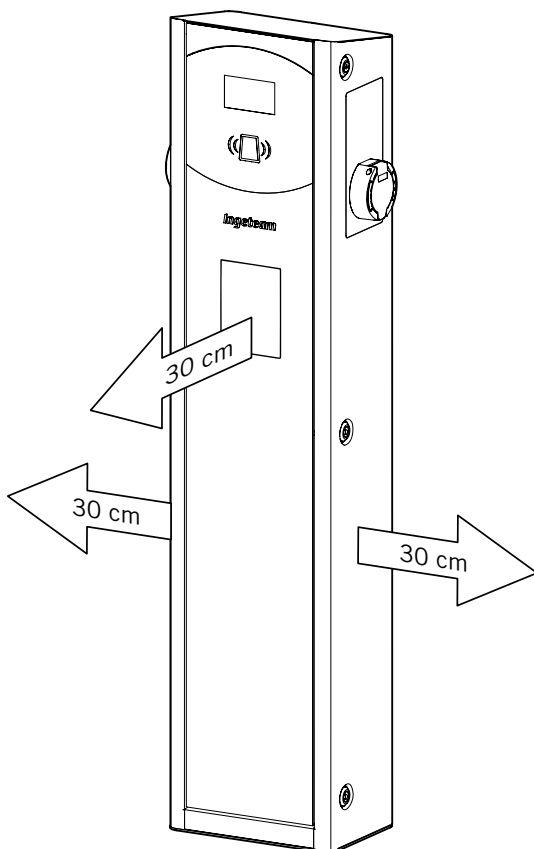
- Plástico (poliestireno, bolsa y papel burbuja): contenedor correspondiente.
- Cartón: contenedor correspondiente.

## 5. Preparación para la instalación del equipo

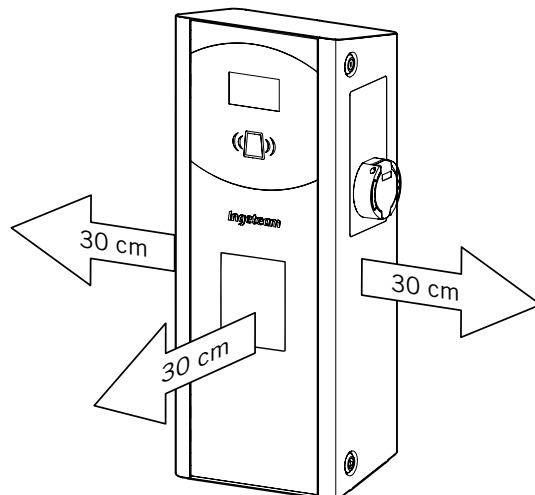
A la hora de decidir la ubicación del equipo y planificar su instalación, se deberán seguir una serie de pautas derivadas de las características del mismo.

### 5.1. Entorno

- Estos equipos pueden ser instalados en interiores y exteriores.
- Colocar los equipos en un lugar accesible a los trabajos de instalación y mantenimiento, que permita su manejo y la lectura de los LED indicadores.
- Evitar ambientes corrosivos que puedan afectar al correcto funcionamiento del equipo.
- No dejar objetos apoyados sobre el equipo o en sus laterales.
- Mantener libre de obstáculos las siguientes distancias mínimas:



INGEREV FUSION Street



INGEREV FUSION Wall

### 5.2. Condiciones medioambientales

#### ⚠ ATENCIÓN

Ingeteam no garantiza el correcto funcionamiento del equipo en caso de no cumplirse las condiciones de funcionamiento para las que ha sido diseñado.

Evitar ambientes corrosivos que puedan afectar a su correcto funcionamiento. No instalar el equipo en zonas clasificadas como ATEX.

Se deberán tener en cuenta las condiciones medioambientales de operación del equipo indicadas en apartado "2.3. Tabla de características" para elegir su ubicación.

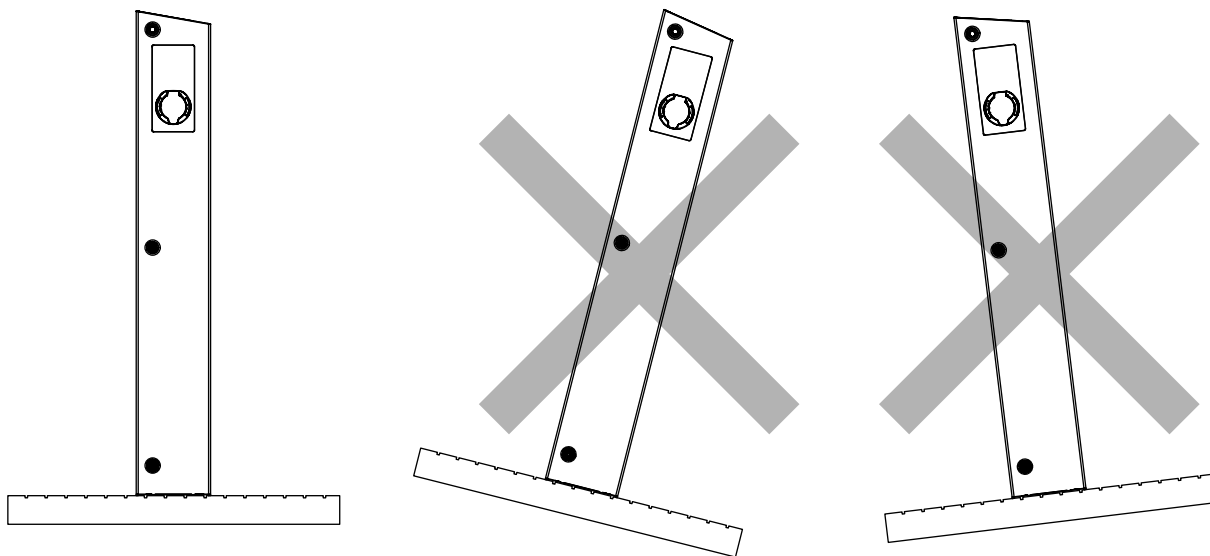
Conviene tener en cuenta que, ocasionalmente, podría producirse una condensación moderada como consecuencia de las variaciones de temperatura. Por esta razón, y al margen de la propia protección del equipo, se hace necesaria una vigilancia de estas estaciones de recarga, una vez puestos en marcha en aquellos emplazamientos en los que se sospeche no vayan a darse las condiciones anteriormente descritas.

Con condensación, no aplicar nunca tensión al equipo.

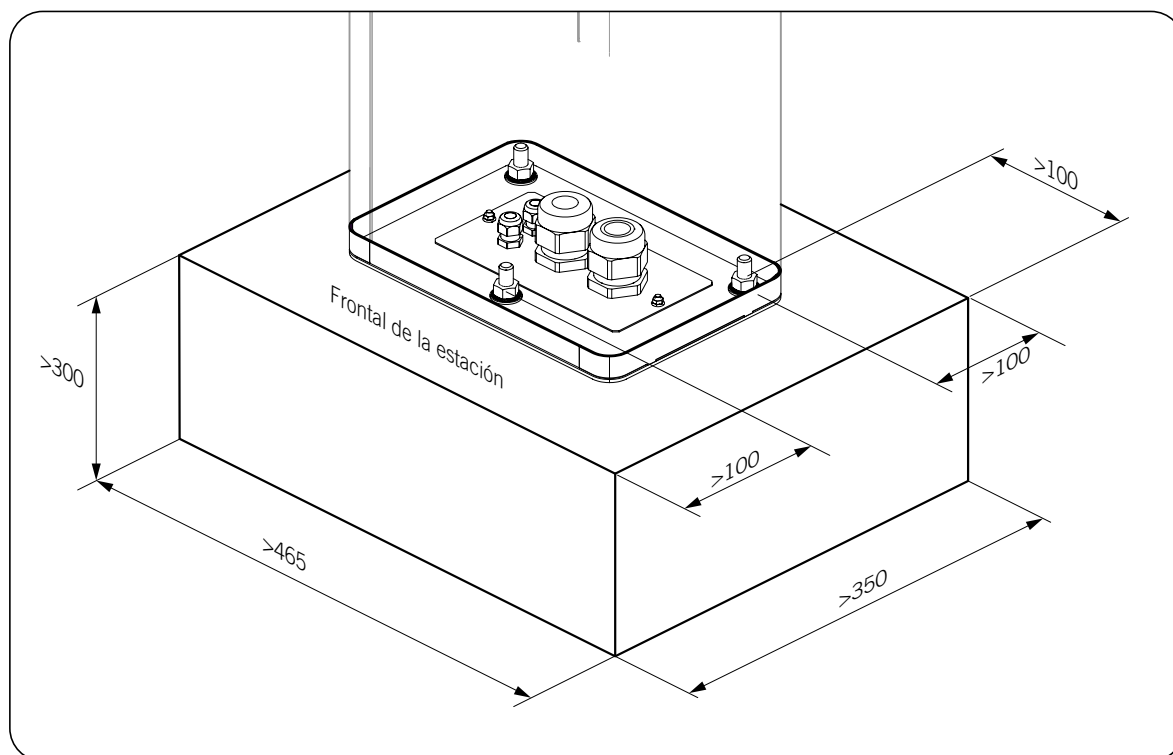
### 5.3. Superficie de apoyo y anclaje

#### INGEREV FUSION Street

En los INGEREV FUSION Street se deberá reservar una superficie regular y sólida para amarrar el equipo, debiendo quedar éste perfectamente vertical.

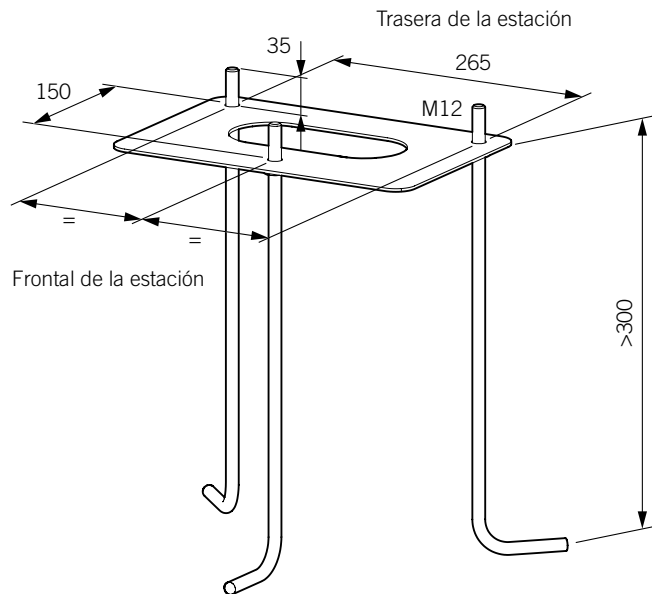


Para calcular la zapata mínima de hormigón se deberán tener en cuenta los siguientes detalles.



- Distancia mínima de los pernos de anclaje a los bordes de la zapata de hormigón: 100 mm.
- Mínimo espesor de la zapata de hormigón: 100 mm.
- Longitud mínima de los pernos de anclaje: 300 mm.
- Resistencia a tracción mínima de los pernos: 7,7 kN. Coeficiente de seguridad 1,5.
- Resistencia a cortadura mínima de los pernos: 9,3 kN. Coeficiente de seguridad 1,25.

A continuación se detallan las cotas de los anclajes.



### INGEREV FUSION Wall

La instalación de los INGEREV FUSION Wall se deberá realizar en una superficie regular, sólida y perfectamente vertical, atendiendo a las especificaciones de la normativa aplicable al lugar de instalación.

## 6. Instalación del equipo

Antes de proceder a la instalación del equipo, deberá retirarse el embalaje teniendo especial cuidado de que no se dañe la envolvente (ver apartado “4.2. Desembalaje”).

Deberá cerciorarse de la inexistencia de condensación en el interior del embalaje. Si existieran signos de condensación, no se deberá instalar el equipo hasta asegurarse que está completamente seco.

### ⚠ ATENCIÓN

Todas las operaciones de instalación deben mantener observancia con el reglamento vigente.

Todas las operaciones que impliquen movimiento de pesos elevados se deberán llevar a cabo con la ayuda de los medios de asistencia mecánica necesarios (grúa, polipasto, etc.).

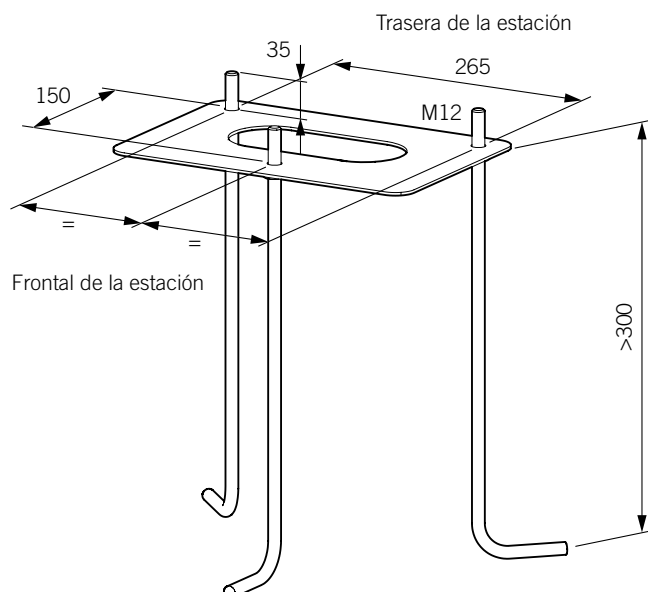
### 6.1. Requerimientos generales de instalación

- El entorno del equipo deberá ser el adecuado, satisfaciendo las pautas descritas en el capítulo “5. Preparación para la instalación del equipo”. Además, los elementos empleados en el resto de la instalación deberán ser compatibles con el equipo y con el cumplimiento de la legislación aplicable.
- La ventilación y el espacio de trabajo deberán ser los adecuados para las labores de mantenimiento según reglamento aplicable vigente.
- Los dispositivos exteriores de conexión deberán ser adecuados y estarán lo suficientemente cerca según se establece en el reglamento vigente.
- Los cables de acometida deberán tener la sección adecuada a la intensidad máxima.
- Se tendrá especial cuidado para que no existan elementos exteriores próximos a las entradas y salidas de aire que impidan la correcta refrigeración del equipo (ver apartado “5.1. Entorno”).

### 6.2. INGEREV FUSION Street

Para instalar el INGEREV FUSION Street seguir las siguientes indicaciones:

1. Colocar el anclaje en el suelo, respetando las siguientes cotas.



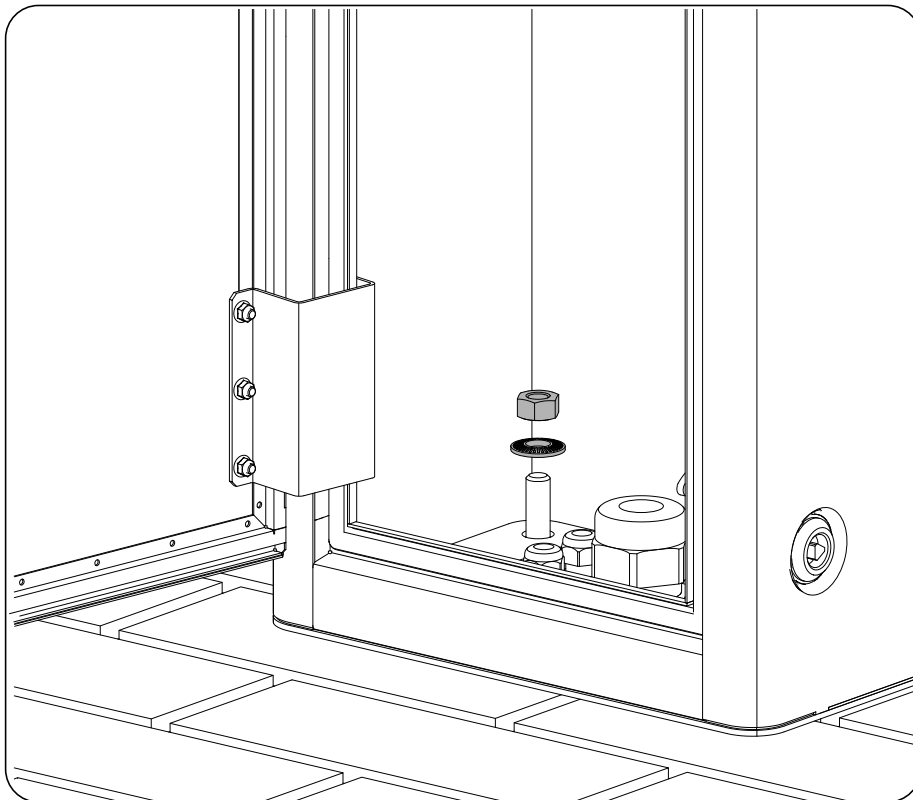
2. Abrir los cierres laterales de la estación para tener acceso al interior. El cierre superior se acciona mediante llave.

3. Introducir el cableado a través de los prensaestopas inferiores, dejando cierto margen para que el cableado no quede tirante una vez conectado (ver apartados "2.7. Accesos de cableado" y "8.3. Proceso de conexión de la alimentación").

**i INFO**

Aunque es preferible introducir el cableado por los prensaestopas, es posible desatornillar la base que los lleva montados para el caso en el que se necesite un espacio mayor para el cableado de la acometida.

4. Fijar la estación al suelo mediante los tres tornillos y arandelas suministrados.



5. Comprobar que la fijación es correcta.
6. Retirar el film protector de la carátula.

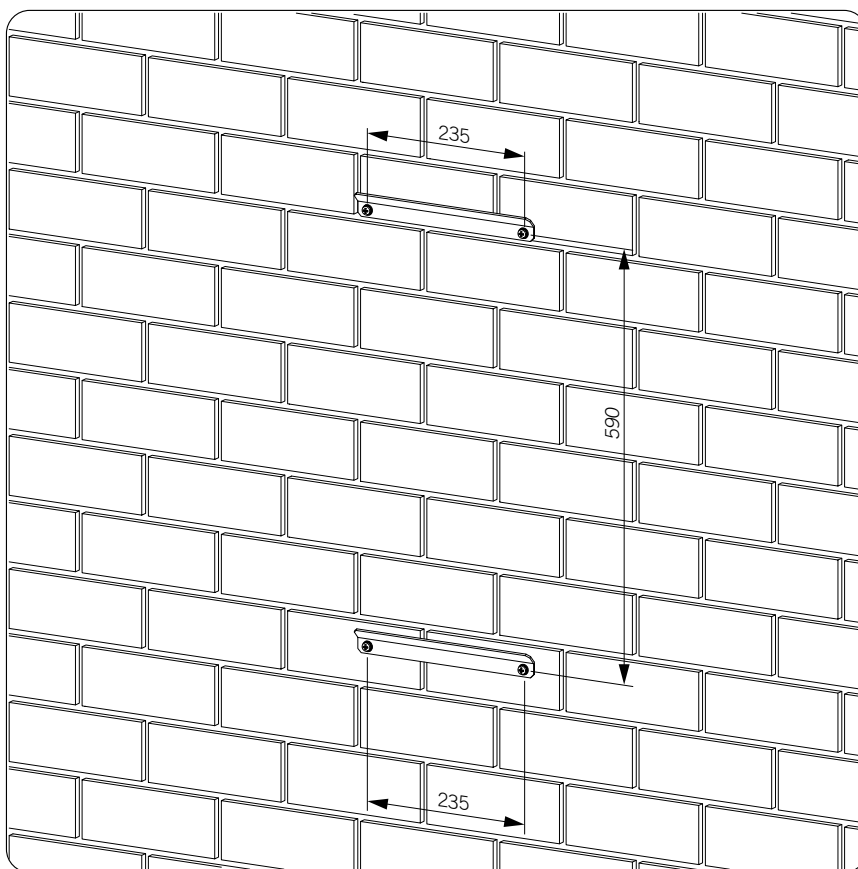
Una vez el equipo se ha instalado correctamente, se iniciará el proceso de conexión de éste. Conectar las conexiones en el siguiente orden:

1. Conexión de accesorios (opcional).
2. Conexión de AC.

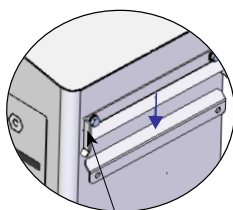
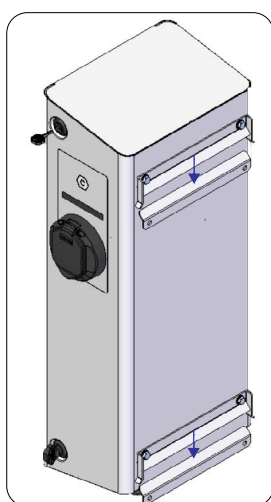
### 6.3. INGEREV FUSION Wall

Para instalar el INGEREV FUSION Wall seguir las siguientes indicaciones:

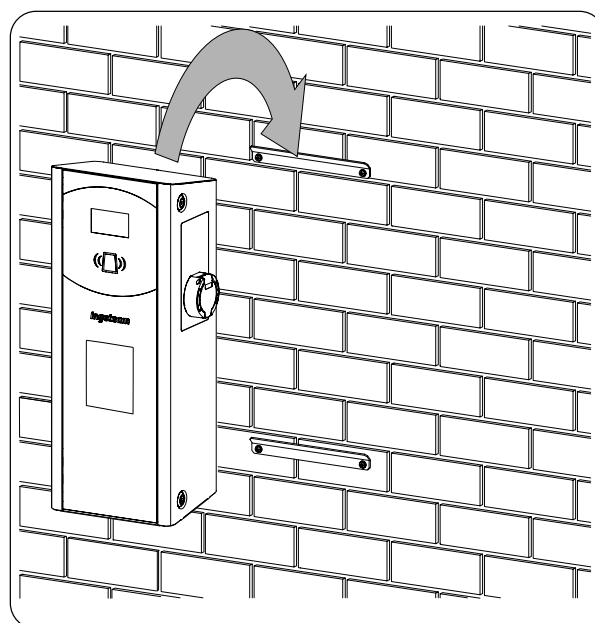
1. Instalar las pletinas en la pared. Ambas pletinas son iguales.



2. Colgar el cargador en los soportes.



Plegado que evita el desplazamiento lateral

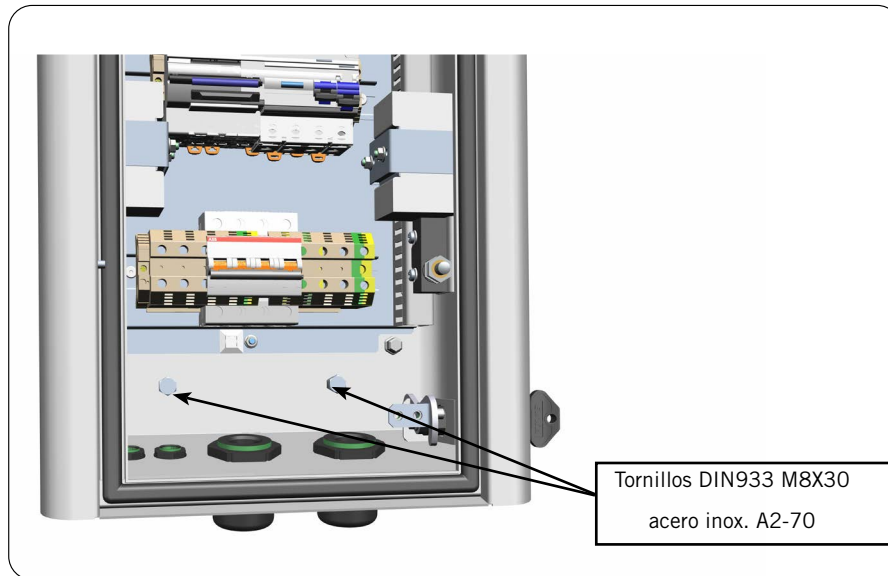




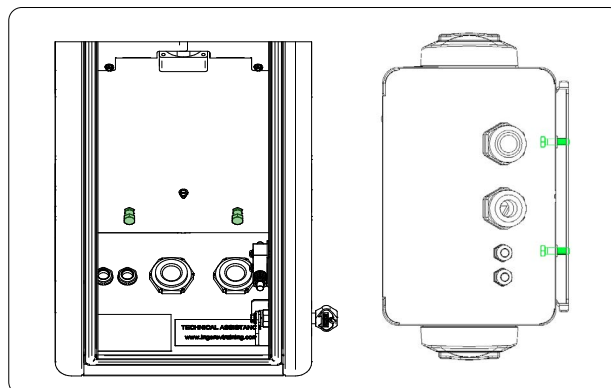
El cargador se colgará a la pared utilizando los soportes incluidos, los cuales impiden el desplazamiento lateral. No obstante, el cargador puede desplazarse verticalmente, permitiendo su extracción al tirar hacia arriba.

Para fijar el equipo verticalmente se atornillará al soporte de la siguiente forma:

3. Abrir los cierres laterales de la estación para tener acceso al interior. El cierre superior se acciona mediante llave.
4. Introducir los tornillos en las tuercas insertadas de la envolvente para evitar el desplazamiento vertical:



5. Apretar los tornillos hasta que hagan tope con las pletinas instaladas en el paso 1.



6. Comprobar que la fijación es correcta.
7. Introducir el cableado por los accesos de la parte inferior de la estación (ver apartados “2.7. Accesos de cableado” y “8.3. Proceso de conexión de la alimentación”).
8. Retirar el film protector de la carátula.

Una vez el equipo se ha instalado correctamente, se iniciará el proceso de conexión de éste. Conectar las conexiones en el siguiente orden:

1. Conexión de accesorios (opcional).
2. Conexión de AC.

## 7. Conexión de accesorios

A lo largo de este capítulo se explica el proceso para conectar los accesorios de serie y opcionales en el equipo.  
Leer detenidamente antes de iniciar el proceso de conexión.

### 7.1. Indicaciones de seguridad para la conexión de accesorios

#### **⚠ PELIGRO**

Asegurar la ausencia de tensión en el equipo antes de iniciar la conexión.

**No alimentar** el equipo hasta que se hayan completado con éxito el resto de conexiones y se haya cerrado el equipo.

Utilizar el Equipo de Protección Individual especificado en el apartado “*Equipo de Protección Individual (EPI)*”.

#### **⚠ ATENCIÓN**

Ingeteam no se responsabiliza de los daños derivados de una conexión incorrecta.

### 7.2. Comunicación vía Ethernet

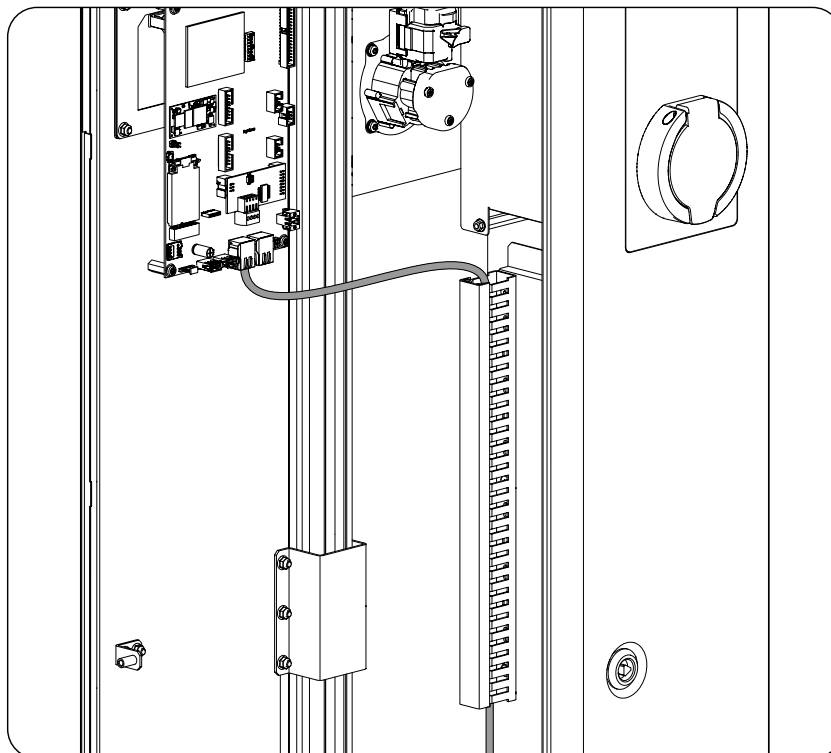
#### 7.2.1. Requisitos del cableado

Para la comunicación Ethernet utilizar un cable de 4 a 6 mm de diámetro.

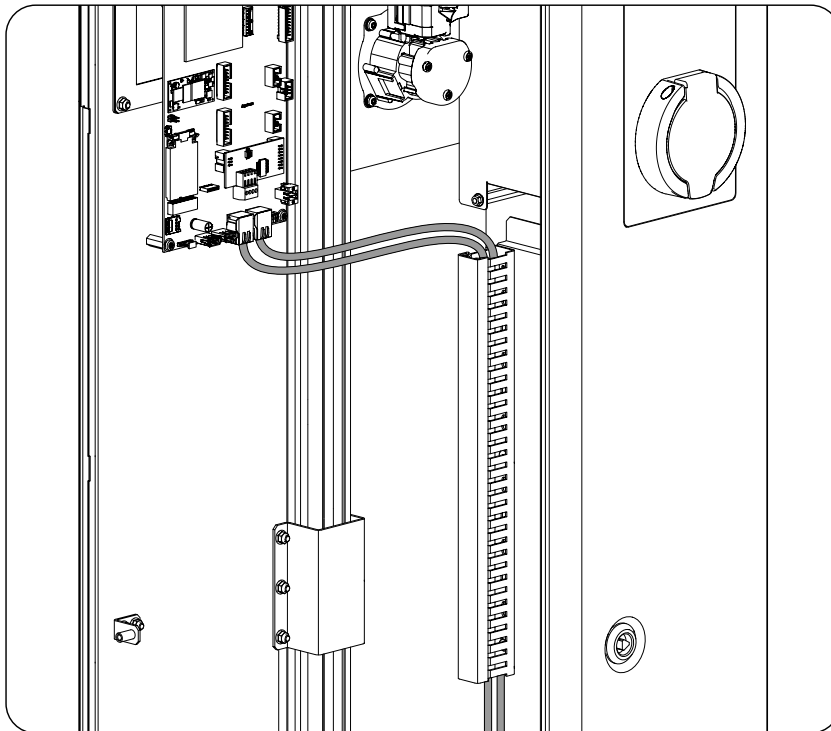
#### 7.2.2. Proceso de conexión

Para realizar la conexión seguir el siguiente orden:

1. En la zona de accesos de cableado inferior introducir el cableado de Ethernet a través del prensaestopas correspondiente.
2. Guiar el cableado a través de la canaleta lateral y conectar en J17 o J18.



3. En caso de querer conectar la estación a otra, conectar en J17 o J18 (el que haya quedado libre)



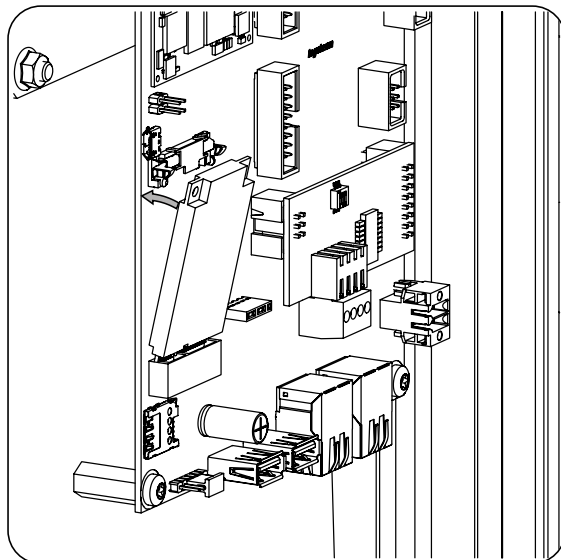
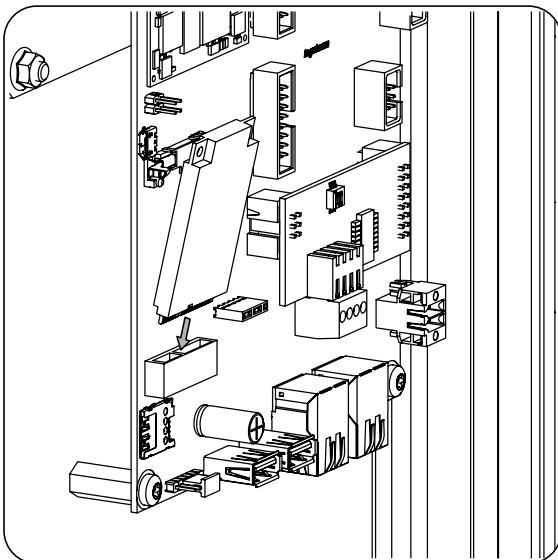
4. Apretar el prensaestopas para asegurar la estanqueidad, asegurando que el cableado no quede tirante.

## 7.3. Comunicación vía 3G/4G (opcional)

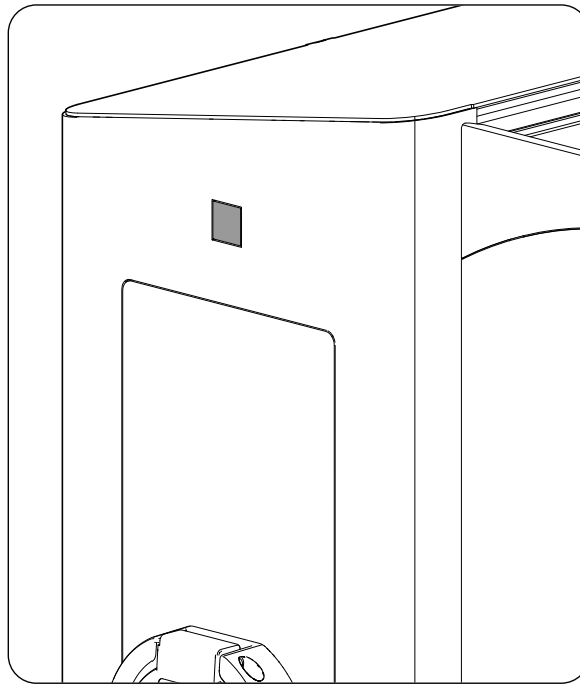
Para disponer de comunicación 3G/4G en la estación de carga seguir el siguiente proceso de conexión.

### 7.3.1. Proceso de conexión

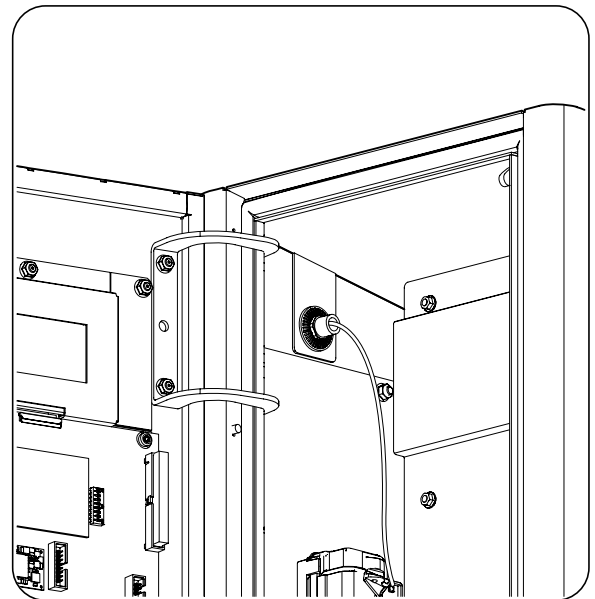
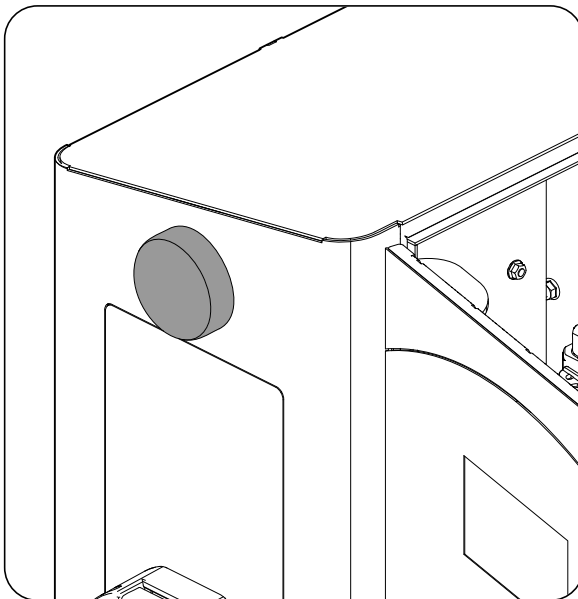
1. Instalar el módem en la tarjeta de control, ubicada en la parte posterior de la puerta de la estación.



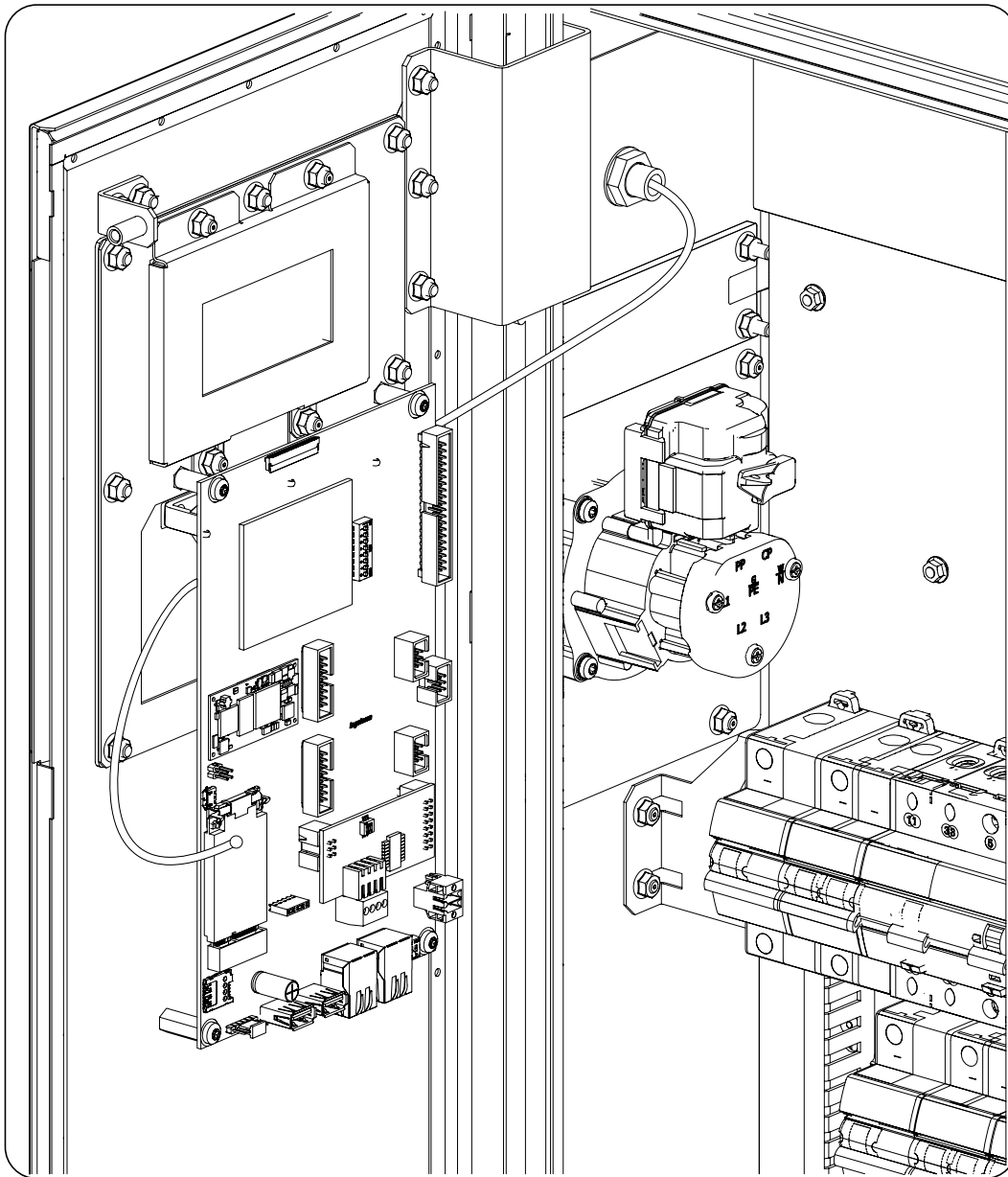
2. En el lateral izquierdo de la estación, eliminar el material precortado marcado en gris en la siguiente figura.



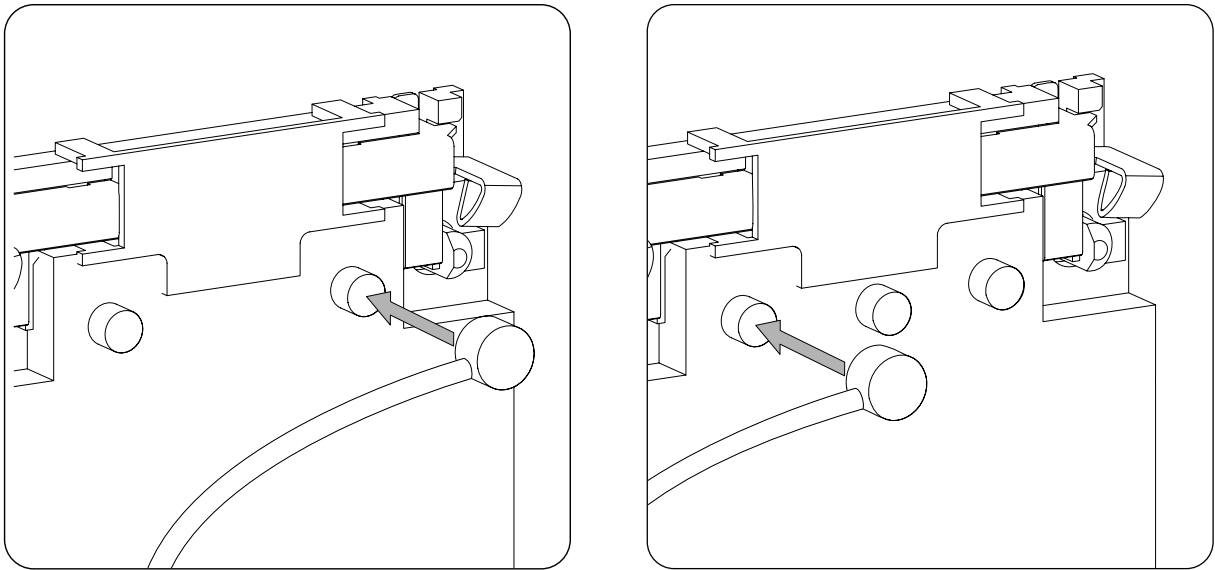
3. Instalar la antena 3G/4G.



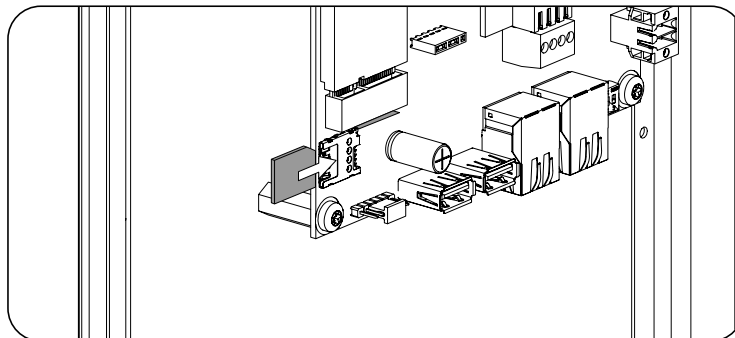
4. Pasar el cable de la antena por la parte inferior de la tarjeta de control situada en la puerta de la estación.



5. Conectar el cable de la antena según el modelo de módem instalado.



6. Insertar la tarjeta MicroSim en el alojamiento disponible en la parte inferior del módem.



7. Comprobar que la puerta cierra correctamente y que no se produce tensión en el cable de la antena.

## 8. Conexión de la alimentación

A lo largo de este capítulo se explican los requerimientos y el proceso para conectar el cableado de la alimentación en el equipo.

Leer detenidamente antes de iniciar el proceso de conexión.

### INFO

Consultar el apartado “*Condiciones importantes de seguridad*” y las siguientes indicaciones antes de operar en el equipo.

### 8.1. Indicaciones de seguridad para la conexión de la alimentación

#### PELIGRO

Asegurar la ausencia de tensión en el equipo antes de iniciar la conexión.

**No alimentar** el equipo hasta que se hayan completado con éxito el resto de conexiones y se haya cerrado el equipo.

Utilizar el Equipo de Protección Individual especificado en el apartado “*Equipo de Protección Individual (EPI)*”.

Durante la conexión debe asegurarse la correcta instalación de los cables en los borneros del equipo de manera que no queden partes en tensión de este cableado accesibles.

Respetar la polaridad del cableado de alimentación.

#### ATENCIÓN

Ingeteam no se responsabiliza de los daños derivados de una conexión incorrecta.

### 8.2. Requisitos del cableado para la conexión de la alimentación

Para garantizar la seguridad de las personas, para el correcto funcionamiento del equipo y para cumplir la normativa aplicable, el equipo debe de conectarse a la tierra de la instalación.

Si el cargador y el punto de conexión a red están separados por una distancia que requiera el uso de cables con sección mayor se recomienda emplear una caja de distribución externa, cercana al cargador, para realizar este cambio de sección.

La conexión de la alimentación deberá hacerse mediante cables monopolares. Se emplearán un total de 3 o 5 cables en función de si se conecta una acometida monofásica (fase, neutro y tierra) o trifásica (tres fases, neutro y tierra). El material del conductor puede ser cobre o aluminio.

#### ATENCIÓN

En caso de utilizar cables de aluminio el instalador deberá proveer los medios para evitar el efecto del par galvánico (terminales bipolares, interfaces bimetálicas, etc.)

La corriente nominal del seccionador o del bornero de la acometida, según el modelo, es 80 A.

### INFO

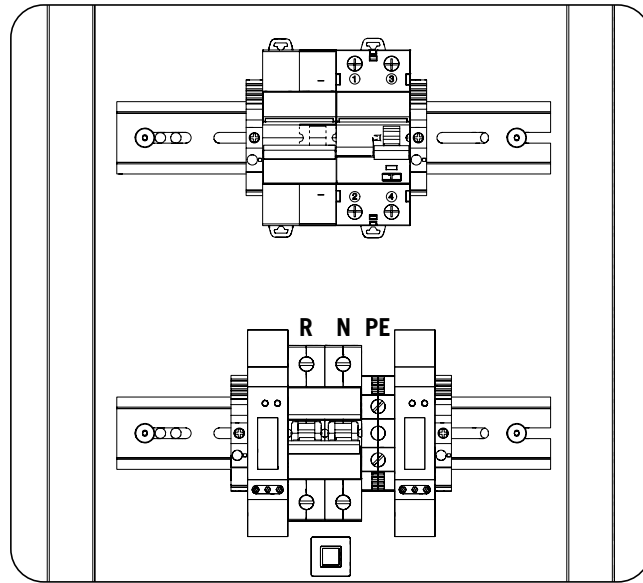
Un equipo trifásico puede funcionar como un equipo monofásico conectando únicamente una fase, neutro y tierra, teniendo en cuenta que la fase vaya conectada a la fase R del equipo.

El dimensionado del cableado de tierra será responsabilidad del instalador y deberá atender a los requerimientos normativos aplicables en la instalación.

### 8.3. Proceso de conexión de la alimentación

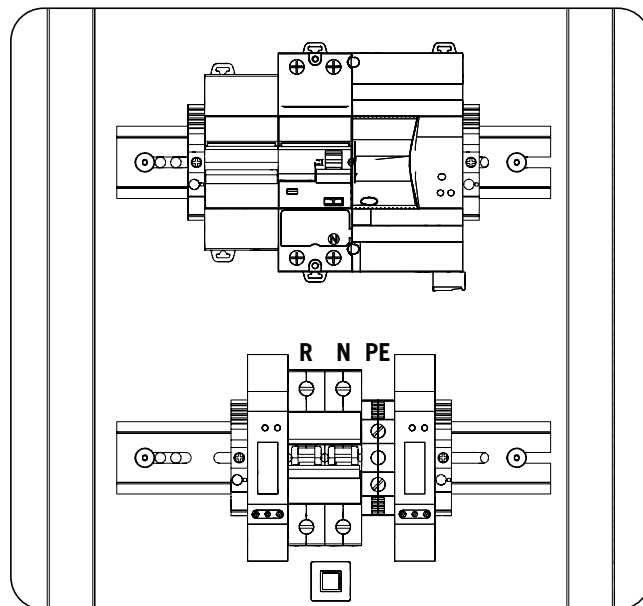
1. Introducir el cableado a través de los pasos de cable habilitados en la parte inferior del cargador.
2. Conectar respetando las polaridades en función del tipo de equipo.

**FS1MW / FW1MW: Monofásico con protecciones**



Especificaciones de la conexión			
Conexión	Secciones de cable admitidas		Par de apriete
	Cables flexibles	Cables rígidos	
R, N	6 ~ 70 mm <sup>2</sup>	6 ~ 50 mm <sup>2</sup>	2,5 Nm
PE	2,5 ~ 50 mm <sup>2</sup>	2,5 ~ 16 mm <sup>2</sup>	4 Nm

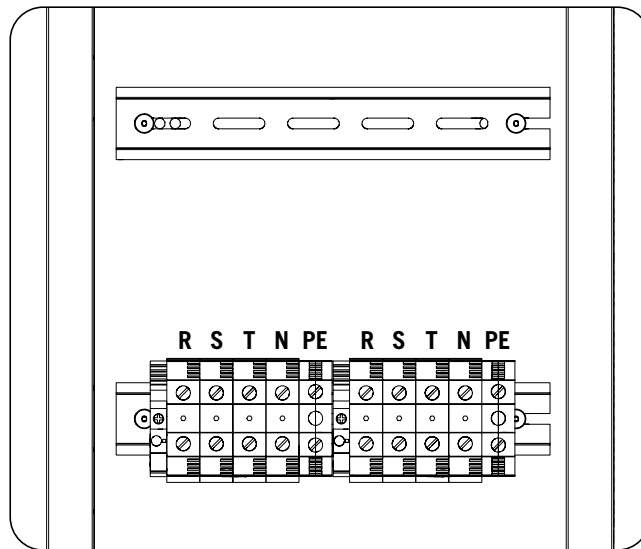
**FS1AW / FW1AW: Monofásico con protecciones rearmables automáticamente**



Especificaciones de la conexión			
Conexión	Secciones de cable admitidas		Par de apriete
	Cables flexibles	Cables rígidos	
R, N	6 ~ 70 mm <sup>2</sup>	6 ~ 50 mm <sup>2</sup>	2,5 Nm
PE	2,5 ~ 50 mm <sup>2</sup>	2,5 ~ 16 mm <sup>2</sup>	4 Nm

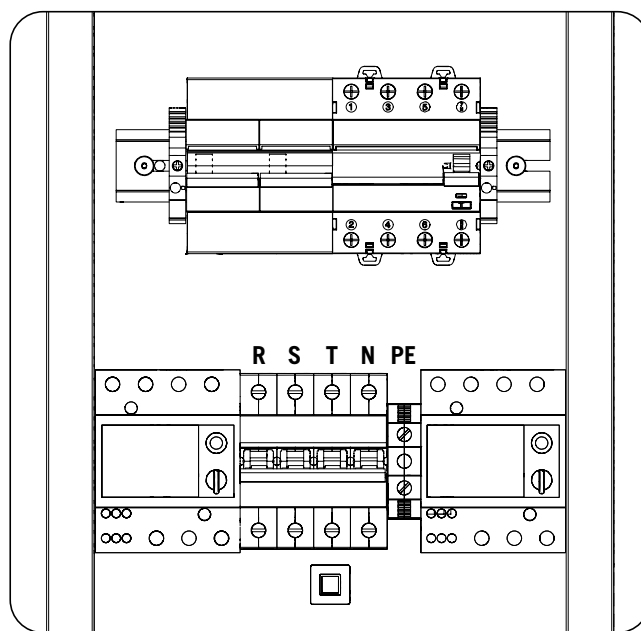


**FS3NN / FW3NN: Trifásico sin protecciones**



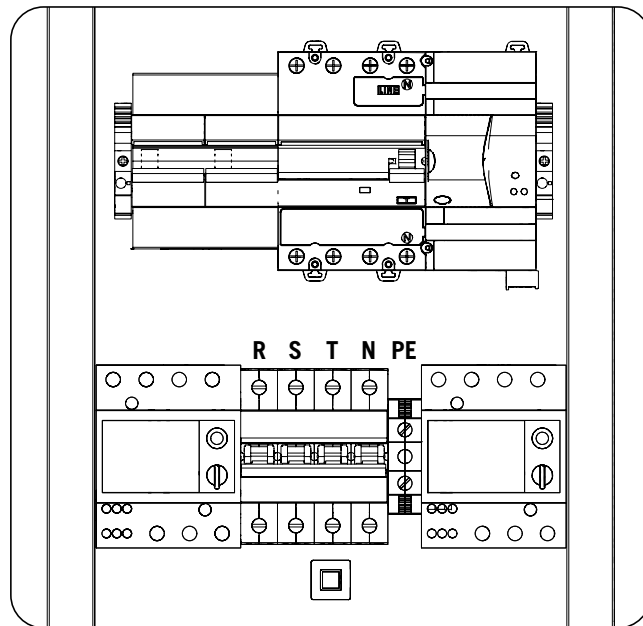
Especificaciones de la conexión			
Conexión	Secciones de cable admitidas		Par de apriete
	Cables flexibles	Cables rígidos	
R, S, T, N, PE	2,5 ~ 50 mm <sup>2</sup>	2,5 ~ 16 mm <sup>2</sup>	4 Nm

**FS3MW / FW3MW: Trifásico con protecciones**



Especificaciones de la conexión			
Conexión	Secciones de cable admitidas		Par de apriete
	Cables flexibles	Cables rígidos	
R, S, T, N,	6 ~ 70 mm <sup>2</sup>	6 ~ 50 mm <sup>2</sup>	2,5 Nm
PE	2,5 ~ 50 mm <sup>2</sup>	2,5 ~ 16 mm <sup>2</sup>	4 Nm

**FS3AW / FW3AW: Trifásico con protecciones rearmables automáticamente**



EN  
ES  
FR  
IT  
PT

Especificaciones de la conexión			
Conexión	Secciones de cable admitidas		Par de apriete
	Cables flexibles	Cables rígidos	
R, S, T, N,	6 ~ 70 mm <sup>2</sup>	6 ~ 50 mm <sup>2</sup>	2,5 Nm
PE	2,5 ~ 50 mm <sup>2</sup>	2,5 ~ 16 mm <sup>2</sup>	4 Nm

3. Comprobar la correcta colocación de la membrana pasacables y que el cableado no queda tirante.

## 9. Primera conexión a la red eléctrica

A lo largo de este capítulo se detalla el proceso a seguir para realizar la primera conexión a red del equipo.

Previamente se deberá revisar el equipo.

### 9.1. Revisión del equipo

Es necesario revisar el correcto estado de la instalación antes de la puesta en marcha.

Cada instalación es diferente según sus características, el país donde se encuentre u otras condiciones especiales que se le apliquen. En cualquier caso, antes de realizar la puesta en marcha, ha de asegurarse de que la instalación cumple la legislación y reglamentos que se le apliquen y que está finalizada, al menos la parte que se va a poner en marcha.

#### 9.1.1. Inspección

Antes de la primera conexión a red del cargador se ha de realizar una revisión general consistente principalmente en:

##### Revisión del cableado

- Comprobar que los cables están correctamente unidos a sus conectores.
- Comprobar que dichos cables están en buen estado, y que en su entorno no existen peligros que puedan deteriorarlos, como fuentes de calor intenso, objetos que puedan causar su corte u disposiciones que les sometan a riesgo de impactos o tirones.

##### Revisión de la fijación del equipo

Comprobar que el equipo está sólidamente fijado y no corre peligro de caer.

#### 9.1.2. Cierre hermético del equipo

En las operaciones de instalación asegurarse de que las operaciones de conexión no han alterado el grado de estanqueidad del equipo.

Vigilar el ajuste correcto de los conectores y un buen cierre de los elementos pasacables.

## 10. Configuración

Para realizar la primera configuración del equipo es necesario establecer conexión de forma local. Una vez se haya realizado esta primera configuración también es posible establecer conexión de forma remota. A continuación se describen los procesos para ambos casos.

La configuración se realizará a través de la aplicación INGEREV WEB Manager.

### 10.1. Conexión local

Para establecer una conexión local es necesario que el cargador y el ordenador estén conectados a la misma red de comunicación.

La conexión local se puede realizar a través de Ethernet o Wi-Fi.

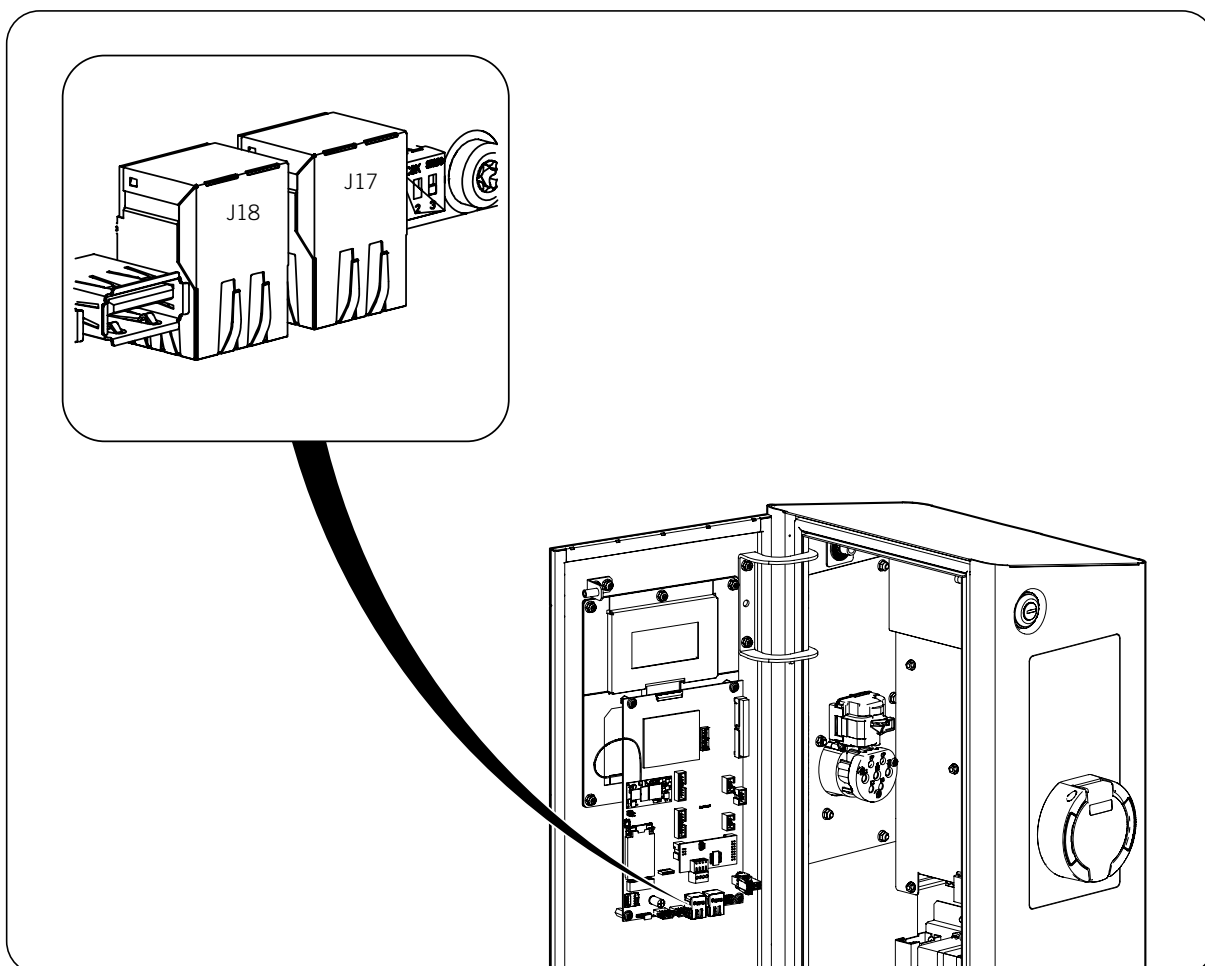
#### 10.1.1. Conexión local a través de Ethernet

##### **⚠ ATENCIÓN**

El cableado de Ethernet debe ser tipo 5E o superior.

Para establecer la conexión seguir los siguientes pasos:

1. Conectar el ordenador al equipo mediante uno de los conectores Ethernet disponibles (J17 o J18).



2. En el portátil abrir el navegador web y acceder a <http://serialNumber.local:8080>, donde *serialNumber* corresponde con el número de serie del equipo (por ejemplo, <http://6S0A182A0001.local:8080>). El número de serie identifica unívocamente al equipo y se encuentra en la placa de características.

3. Introducir usuario y contraseña. El usuario y contraseña se indican en la documentación entregada junto al equipo.
4. Seguir las instrucciones del INGEREV WEB Manager.

#### ATENCIÓN

Ciertos sistemas operativos, debido a su propia configuración, pueden rechazar la URL anteriormente descrita. En estos casos, se debe proceder de la siguiente manera:

1. Conectar el ordenador portátil a través de un cable Ethernet al conector J17 o J18 del equipo.
2. Acceder a través de un navegador web a <http://192.168.1.33:8080>.
3. Seguir los pasos indicados en el navegador para realizar el proceso de configuración.

### 10.1.2. Conexión local a través de Wi-Fi

Por defecto el equipo viene configurado en modo *Access Point*. Esto significa que genera una red Wi-Fi que permite conexiones de dispositivos tales como ordenadores portátiles, tablets o smartphones.

Para establecer la conexión seguir los siguientes pasos:

1. Conectar el dispositivo a la red generada por el cargador. El nombre de la red es el mismo que el número de serie del equipo. La contraseña de la red Wi-Fi son los primeros 8 primeros dígitos de la contraseña que se indica en la pegatina de la documentación entregada junto al equipo.
2. En el dispositivo abrir el navegador web y acceder a <http://192.168.2.1:8080> o <http://SerialNumber.local:8080>.
3. Introducir usuario y contraseña. El usuario y contraseña se indican en la documentación entregada junto al equipo.
4. Seguir las instrucciones del INGEREV WEB Manager.

## 10.2. Conexión remota

El objeto de la comunicación remota es disponer de acceso al cargador cuando éste y el ordenador se encuentran conectados a internet desde redes de comunicación diferentes. El cargador debe estar conectado a Internet a través de Wi-Fi, Ethernet o 3G/4G.

Para establecer la conexión seguir los siguientes pasos:

1. Con el cargador y ordenador conectados a internet, abrir el navegador web y acceder a <http://www.ingerev.com/serialNumber>, donde *serialNumber* corresponde con el número de serie del equipo (por ejemplo, <http://www.ingerev.com/6SOA182A0001>). El número de serie identifica unívocamente al equipo y se encuentra en la placa de características.

#### ATENCIÓN

Sólo se puede utilizar la dirección <http://www.ingerev.com/serialNumber> para acceder al cargador en caso de que éste tenga una dirección IP pública. Si por el contrario no se dispone de una dirección IP pública, deberá conocerse la dirección IP del cargador (*ipChargingStation*) para poder acceder al mismo a través de <http://ipChargingStation:8080/>.

En caso de no disponer de una IP pública, el ordenador y el punto de recarga tendrán que estar dentro de la misma red o del mismo APN.

2. Introducir usuario y contraseña. El usuario y contraseña se indican en la documentación entregada junto al equipo

## 11. Funcionamiento

La función principal de la estación de recarga es el suministro de energía eléctrica y medición de la misma, para usuarios autorizados previamente mediante un sistema de lectura de tarjetas RFID, salvo en estaciones configuradas sin autenticación.

En este apartado se detalla el funcionamiento de la estación de recarga.

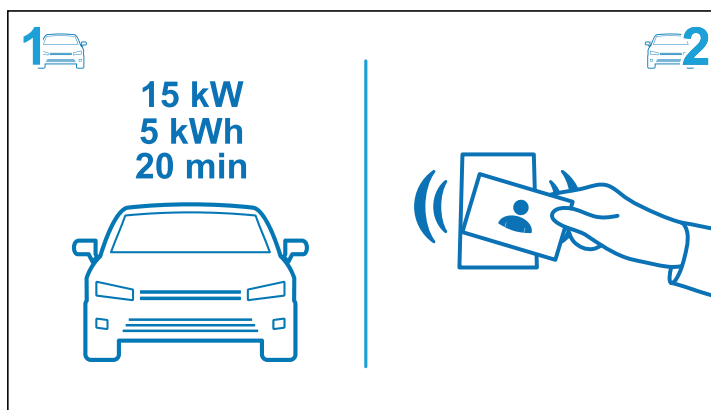
### 11.1. Indicación de estados

La estación de recarga indica el estado en que se encuentra por medio de una señalización luminosa. Dispone de indicadores independientes para cada toma de corriente.

Estado	Iluminación	Descripción
Espera vehículo	Verde continua	La toma de carga se encuentra esperando a que un vehículo sea conectado para proceder a su carga.
Espera carga	Amarilla parpadeando	Un usuario ha pasado la tarjeta por el lector y la toma espera a que el usuario conecte su vehículo a ésta.
Carga	Azul continua	Un vehículo se ha conectado a la toma de carga.
Consumo reducido	Azul parpadeando	El consumo es reducido
Incidencia	Roja continua	Existe algún error en la estación o el proceso de carga no se está efectuando correctamente
Stand by	Ninguna	La estación de recarga ha sido desconectada remotamente.
Fin de sesión	Amarilla continua	La sesión de carga ha terminado.
Tarjeta rechazada	Roja continua	La tarjeta no es válida o no se ha reconocido correctamente.

### 11.2. Interfaz de uso

La pantalla se divide en dos áreas independientes, una para cada toma disponible.



La interfaz guiará el proceso de carga del usuario.

### 11.3. Proceso de carga

En función de las necesidades del cliente el proceso de carga se iniciará con o sin autenticación. A continuación se explica el proceso para ambos casos.

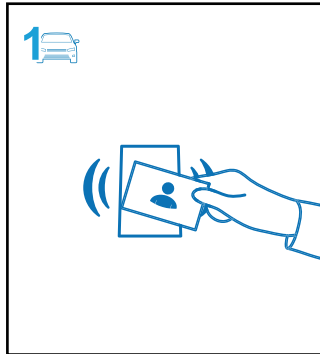
#### 11.3.1. Proceso de carga con autenticación

##### **⚠ ATENCIÓN**

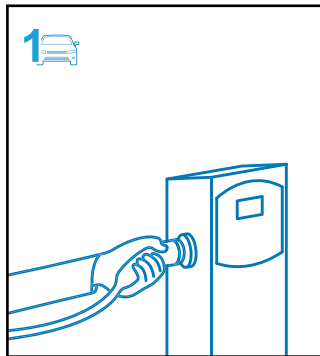
El conector de suministro eléctrico no debe ser extraído del vehículo mientras se esté realizando la operación de carga.

### Inicio del proceso de carga

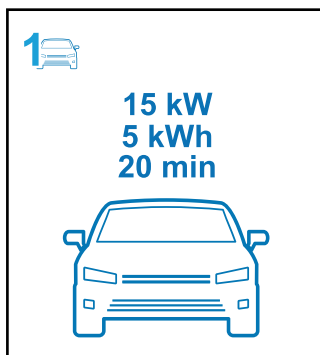
1. Comprobar que la estación se encuentra en estado *espera vehículo* con la iluminación en verde.
2. En caso de disponer de tarjeta de identificación, aproximar la tarjeta al lector de tarjetas situado en la zona inferior al display. Si la lectura es correcta la estación pasa al estado *espera carga*. En caso de que el gestor de carga utilice una app para gestionar la carga seguir las instrucciones de la app para iniciar el proceso.



3. Conectar el vehículo a la estación.

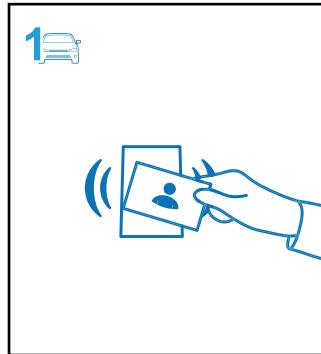


4. La carga se inicia. La iluminación permanece en azul, siendo fija si hay consumo y parpadeando si no lo hay.

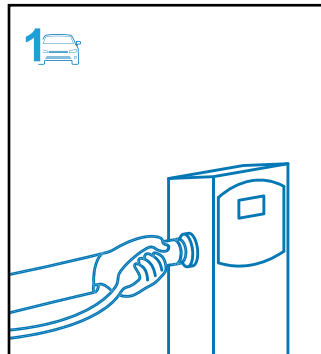


### Fin del proceso de carga

1. Para concluir el ciclo de carga, en caso de disponer de tarjeta de identificación volver a aproximarla al lector. Si la carga se gestiona mediante app, seguir las instrucciones de ésta.



2. Desconectar el vehículo.

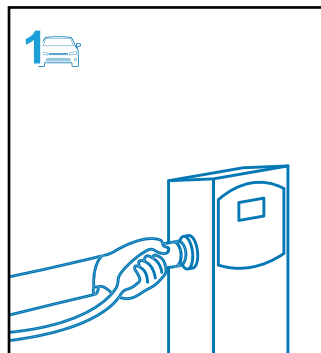


3. El proceso de carga se detiene.

### 11.3.2. Proceso de carga sin autenticación

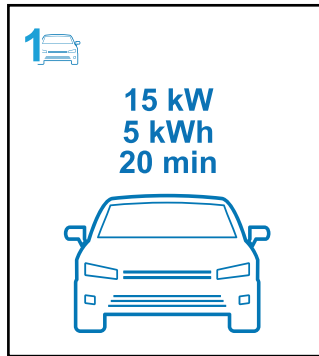
#### Inicio del proceso de carga

1. Conectar el vehículo a la estación de carga.



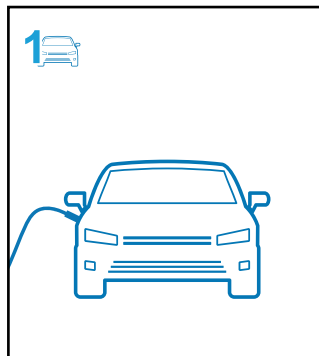


2. La carga se inicia. La iluminación permanece en azul, siendo fija si hay consumo y parpadeando si no lo hay.



### Fin del proceso de carga

1. Desconectar el conector en el lado del vehículo.



2. El proceso de carga se detiene.

## 12. Solución de problemas

### ⚠ ATENCIÓN

La solución de problemas de la estación debe ser realizada por personal cualificado atendiendo a las condiciones generales de seguridad dadas en este manual.

### 12.1. Alarmas

Código	Alarma	Descripción	Solución
0001	Defecto en la instalación	<p>Se ha producido un disparo de las protecciones de la estación.</p> <p>La estación detecta que el defecto persiste en la instalación y no procederá al rearme de las protecciones hasta que el defecto desaparezca.</p>	<p>En el caso de que las protecciones sean de rearme manual, se deberá abrir la estación para tener acceso a las protecciones.</p> <p>Proceder a rearmar las protecciones cuyo mando no esté en su posición correcta.</p> <p>Revisar el correcto cableado de las protecciones y comprobar que no hay ningún cable suelto ni mal apretado.</p> <p>Si el error persiste, contactar con el servicio de asistencia telefónica de Ingeteam.</p>
0002	Alimentación interrumpida	<p>La alarma puede ser debida a dos motivos:</p> <ul style="list-style-type: none"> <li>Ausencia de red eléctrica. No hay suministro eléctrico. La estación se reiniciará cuando éste se restablezca.</li> <li>Se ha producido un disparo de las protecciones. Se ha producido un disparo de las protecciones pero el defecto que lo ha causado ha desaparecido.</li> </ul>	<p>Si tras restablecerse la red eléctrica el error persiste, comprobar la presencia de tensión en la toma de acometida de la estación de recarga.</p> <p>Si la causa de la alarma ha sido un disparo de las protecciones internas del equipo, proceder a solucionarlo según lo establecido para la alarma "001 Defecto en la instalación".</p>
0004	Puerta abierta	La puerta frontal de equipo está abierta	Verificar que la puerta del equipo está correctamente cerrada
0008	Fallo relés de potencia	El conector tiene tensión cuando no debería o no la tiene cuando debería.	Avisar de la incidencia al servicio técnico indicando el código de error.
0016	Fallo comunicación contador energía	La comunicación interna con el contador de energía no es correcta, pudiendo estar motivado por disparo de las protecciones. Proceder a la revisión de la instalación eléctrica por parte de personal cualificado para comprobar si se han disparado las protecciones.	<p>Revisar las protecciones y rearmarlas si fuese necesario. Si el fallo persiste, comprobar que la conexión es correcta.</p> <p>Si la alarma persiste contactar con el servicio de asistencia telefónica de Ingeteam.</p>
0032	Fallo en el lector RFID	Fallo en el lector de tarjetas RFID.	Si el problema persiste resetear el equipo (ver apartado "13. Desconexión del equipo"). Si tras reiniciar el fallo persiste contactar con Ingeteam.
0128	Fuga de corriente DC	Las estaciones de recarga pueden incorporar, según modelo, un sensor de fuga de corriente continua. La fuga de corriente continua que provoca la alarma es provocada por el vehículo eléctrico que está en proceso de carga, por lo que no se trata de una alarma de la estación de recarga, sino una parada de la carga por motivos de seguridad.	<p>La alarma desaparecerá cuando se finalice sesión.</p> <p>Si la alarma persiste en ausencia de vehículo eléctrico conectado, contactar con el servicio de asistencia telefónica.</p>

Código	Alarma	Descripción	Solución
0256	Fallo secuencia de carga	Secuencia de carga incorrecta o desconexión del vehículo durante la carga.	<p>En caso de que la alarma se produzca por la desconexión del vehículo durante la sesión de carga, ésta desaparecerá cuando se finalice dicha sesión. También desaparecerá si se resetea el equipo.</p> <p>Si la alarma persiste no habiendo ninguna sesión de carga en curso, contactar con el servicio de asistencia telefónica</p>
0512	Corriente de carga máxima permitida	El vehículo no ha respetado el límite máximo de corriente de carga permitido durante un tiempo máximo establecido.	La alarma desaparecerá cuando se finalice la sesión de carga del vehículo eléctrico que ha provocado la alarma.
1024	Fallo de comunicación con el gestor de potencia	Fallo en la comunicación entre la estación y el gestor de potencia. Este error aparecerá en caso de que la estación está configurada para trabajar junto a un gestor de potencia y éste no exista.	Revisar la comunicación entre la estación y el gestor de potencia. En caso de que no exista gestor de potencia, deshabilitarlo en la configuración de la estación.

## 13. Desconexión del equipo

En este apartado se detalla el procedimiento para desconectar el equipo. En caso de querer operar en el interior del equipo es obligatorio seguir estas instrucciones en el mismo orden en el que aquí aparecen para quitar tensión.

1. En caso de existir un proceso de carga activo finalizar la sesión de carga.
2. En el caso de un equipo sin protecciones quitar alimentación desde el exterior. En caso de que el equipo incorpore protecciones abrir el equipo y desconectar el seccionador principal Q1.
3. Esperar 10 minutos a que se descarguen las capacitancias internas existentes, a que se enfríen los elementos internos y a que se detenga el movimiento residual de las aspas de los ventiladores.
4. Abrir el equipo y, con los EPI adecuados, comprobar ausencia de tensión en la acometida AC o a la salida del seccionador en el caso de que el punto de recarga incorpore uno.
5. Señalizar zona de corte con cartel de "Atención prohibido maniobrar ...". En caso de ser necesario delimitar la zona de trabajo.

EN

ES

FR

IT

PT

## 14. Mantenimiento

### ⚠ ATENCIÓN

Las labores de mantenimiento que se recomiendan serán realizadas con periodicidad mínima anual, salvo aquellas en que se indique lo contrario.

### 14.1. Condiciones de seguridad

#### ⚠ PELIGRO

Todas las comprobaciones de mantenimiento que aquí se recogen deberán hacerse con el conjunto de la máquina parada, en condiciones seguras de manipulación, incluyendo las especificadas por el cliente para este tipo de operaciones.

La apertura de la envolvente no implica en ningún caso la ausencia de tensión en el equipo, por lo que el acceso a éste solamente puede ser realizado por personal cualificado y siguiendo las condiciones de seguridad establecidas en este documento.

Antes de abrir el equipo es necesario quitar tensión según se indica en el apartado "13. Desconexión del equipo".

Asegurar la ausencia de tensión en el equipo antes de iniciar las tareas de mantenimiento.

Para realizar las labores de mantenimiento en el equipo se han de utilizar el Equipo de Protección Individual especificado en el apartado "Equipo de Protección Individual (EPI)" en este documento.

#### ⚠ ATENCIÓN

El conjunto de condiciones que se detallan a continuación deben considerarse como mínimas.

Ingeteam no se responsabiliza de los daños que pudieran causarse por una utilización inadecuada de los equipos. Toda intervención que se realice sobre cualquiera de estos equipos que suponga un cambio en las disposiciones eléctricas respecto a las originales deberán ser previamente propuestas a Ingeteam. Éstas deberán ser estudiadas y aprobadas por Ingeteam.

### 14.2. Estado de las mangueras y conectores de carga

Comprobar el correcto estado de las mangueras y conectores. No deben existir golpes o cortes. Comprobar el correcto funcionamiento de los conectores.

### 14.3. Estado de la envolvente

Es necesaria una comprobación periódica del estado de la envolvente verificando el estado de los cierres y puerta, así como el anclaje de los equipos al suelo o a la pared.

Comprobar también la ausencia de golpes o rayas que pudieran degradar la envolvente o hacerle perder su índice de protección.

En el caso de que se apreciaran este tipo de defectos, se deberán reparar o sustituir aquellas partes afectadas.

### 14.4. Estado de los cables y terminales

Es necesario realizar una inspección anual del estado de los cables y terminales:

- Comprobar el correcto guiado de los cables de forma que estos no estén en contacto con partes activas.
- Revisar deficiencias en los aislamientos y puntos calientes, verificando el color del aislamiento y terminales.
- Comprobar que las conexiones tienen el par de apriete adecuado.

## 15. Tratamiento de residuos

Estos equipos utilizan componentes nocivos para el medio ambiente (tarjetas electrónicas, baterías o pilas, etc.).

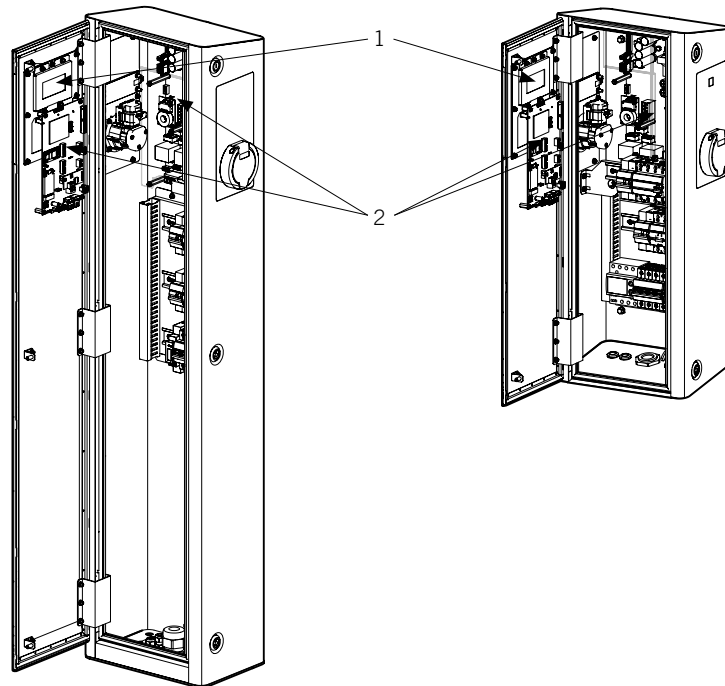


Concluida la vida útil del equipo, el residuo debe ser puesto en manos de un gestor autorizado de residuos peligrosos para su correcto procesado.

Ingeteam siguiendo una política respetuosa con el medio ambiente, a través de este apartado, informa al gestor autorizado respecto a la localización de los componentes a descontaminar.

Los elementos presentes en el interior del equipo y que han de ser tratados específicamente son:

1. Display
2. Tarjetas de circuitos impresos



## Conditions importantes de sécurité

Cette section décrit les avertissements de sécurité et les équipements de protection individuelle ou les symboles utilisés sur l'appareil. CONSERVER CES INSTRUCTIONS.

### Conditions de sécurité

#### Avertissements généraux

##### DANGER

L'ouverture de l'enveloppe n'implique pas qu'il n'y ait pas de tension à l'intérieur.

Seul le personnel qualifié est autorisé à l'ouvrir en respectant les instructions de ce manuel.

Même après avoir déconnecté le réseau, le risque de décharge électrique persiste.

Il est expressément interdit d'accéder à l'intérieur de l'équipement par tout autre point que les portes d'accès prévues à cet effet. L'accès doit toujours être réalisé hors tension.

##### ATTENTION

Les opérations décrites dans ce manuel ne doivent être réalisées que par du personnel qualifié.

Les aptitudes du personnel qualifié auxquelles se réfère ce manuel doivent être, au minimum, celles qui satisfont à toutes les normes, règlements et lois en matière de sécurité applicables aux travaux d'installation et à l'utilisation de cet appareil.

La responsabilité de désigner le personnel qualifié est toujours à la charge de l'entreprise à laquelle appartient ce personnel. Pour préserver la sécurité de l'employé tout en respectant la loi sur la sécurité au travail, c'est à l'entreprise de déterminer qui est apte ou non à réaliser un travail.

Ces entreprises sont responsables de former leur personnel sur les appareils électroniques ainsi que de le familiariser avec le contenu de ce manuel.

Veillez tenir compte qu'il est obligatoire de respecter la législation en vigueur en matière de sécurité pour les travaux d'électricité.

Le respect des instructions de sécurité exposées dans ce manuel ou de la loi n'exclut pas de se conformer aux autres normes spécifiées de l'installation, du lieu, du pays ou de toute autre circonstance qui affecte l'appareil.

L'ensemble des conditions détaillées dans ce document doit être considéré comme un minimum. Il est toujours préférable de couper l'alimentation générale. Il peut y avoir des défauts sur l'installation provoquant des retours de tension non souhaités. Il existe un danger de décharge électrique.

Conformément aux normes de sécurité de base, tout l'appareil doit être adéquat pour protéger les opérateurs exposés des risques de contacts directs et indirects. Quoi qu'il en soit, les pièces électriques des équipements de travail doivent être conformes aux dispositions de la réglementation spécifique correspondante.

Conformément aux normes de sécurité de base, l'installation électrique ne doit pas entraîner de risques d'incendie ou d'explosion. Les opérateurs doivent être dûment protégés contre les risques d'accidents provoqués par des contacts directes et indirectes. L'installation électrique et les dispositifs de protection doivent tenir compte des facteurs externes conditionnant et des compétences des personnes ayant accès aux pièces de l'installation.

Pour vérifier l'absence de tension, il faut obligatoirement utiliser des éléments de mesure de catégorie III-1 100 volts.

##### INFO

Ces instructions doivent être accessibles, se trouver à proximité de l'appareil et être à portée de main de tous les opérateurs.

Avant l'installation et la mise en marche, veuillez lire attentivement ces instructions de sécurité et avertissements ainsi que tous les signes d'avertissement placés sur l'appareil. S'assurer que toutes les signalisations sont parfaitement lisibles et que les panneaux endommagés ou absents sont remplacés.

**i INFO**

La protection contre les contacts directs se fait par enveloppe.

L'appareil a été testé conformément à la réglementation applicable pour garantir qu'il remplit les exigences de sécurité, de valeurs de distances d'isolation et des lignes de fuite pour les tensions d'utilisation.

**Dangers potentiels pour les personnes****⚠ DANGER**

Électrocution.

L'appareil peut rester chargé après déconnexion de l'alimentation sur secteur.

Suivez attentivement les étapes obligatoires du manuel pour mettre le dispositif hors tension.

Explosion.

Il existe un risque très peu probable d'explosion dans des cas très spécifiques de dysfonctionnement.

La carcasse ne protégera les personnes et les biens de l'explosion que si elle est bien fermée.

Écrasement et lésions articulaires.

Suivez toujours les indications du manuel pour déplacer et mettre l'appareil en place.

Le poids de cet appareil peut produire des lésions s'il n'est pas correctement manipulé.

**Dangers potentiels pour l'appareil****⚠ DANGER**

Ne touchez pas les cartes ni les composants électroniques. Les composants les plus sensibles peuvent être endommagés ou détruits par l'électricité statique.

Ne procédez pas à la déconnexion ou à la connexion d'une cosse lorsque l'appareil est en marche. Déconnectez-le et vérifiez l'absence de tension avant de procéder.



## Équipements de protection individuelle (EPI)

Lors de la réalisation de travaux sur l'appareil, utilisez toujours, au minimum, les équipements de sécurité suivants recommandés par Ingeteam.

Dénomination	Explication
Chaussures de sécurité	Conformes à la norme <i>UNE-EN-ISO 20345:2012 ANSI Z41.1-1991</i>
Casque avec visière de protection	Conforme à la norme <i>UNE-EN 397:1995, ANSI Z89.1-2014</i> , à condition qu'il existe des éléments sous tension directement accessibles.
Vêtements de travail	Ajustés, ignifugés, 100% coton
Gants diélectriques	Conformes à la norme <i>EN 60903:2005 ASTM D 120-87</i>

Les outils et/ou appareils utilisés pour les travaux sous tension doivent posséder, au moins, une isolation de classe III-1100 volts.

Dans le cas où la réglementation locale exige d'autres types d'équipements de protection individuelle, les équipements recommandés par Ingeteam doivent être dûment complétés.

## Symboles

Les avertissements suivants figurent sur l'appareil :



### Risque électrique

**Avertissement de danger de tension** : signale la présence de haute tension susceptible de provoquer des blessures graves ou mortelles et/ou d'endommager l'équipement.



**Précaution, surface chaude** : signale la présence de surfaces chaudes susceptibles de provoquer de graves brûlures.



Mise à la terre



Il est indispensable de lire le manuel



Le matériel électrique et électronique ne doit pas être mis au rebut avec les ordures ménagères.

# Table des matières

Conditions importantes de sécurité.....	93
Conditions de sécurité .....	93
Équipements de protection individuelle (EPI).....	95
Symboles.....	95
Table des matières .....	96
1. Information concernant ce manuel.....	98
1.1. Champ d'application .....	98
1.2. Destinataires .....	98
1.3. Avertissements .....	98
2. Description de l'appareil.....	99
2.1. Description générale .....	99
2.2. Modèles.....	99
2.3. Tableau des caractéristiques .....	100
2.4. Prises de courant.....	101
2.5. Protections.....	102
2.6. Exigences EMC.....	103
2.7. Accès du câblage.....	103
2.7.1. INGEREV FUSION Street.....	104
2.7.2. INGEREV FUSION Wall.....	104
3. Réception et stockage de l'appareil.....	106
3.1. Réception .....	106
3.2. Identification de l'appareil .....	106
3.3. Dommages lors du transport.....	106
3.4. Stockage.....	106
3.5. Conservation.....	106
4. Transport de l'appareil.....	107
4.1. Transport.....	107
4.2. Déballage.....	107
5. Préparation pour l'installation de l'appareil.....	108
5.1. Environnement .....	108
5.2. Conditions environnementales.....	108
5.3. Surface d'appui et de fixation .....	109
6. Installation de l'appareil .....	111
6.1. Exigences générales d'installation .....	111
6.2. INGEREV FUSION Street.....	111
6.3. INGEREV FUSION Wall .....	113
7. Raccordement des accessoires .....	115
7.1. Consignes de sécurité pour le raccordement d'accessoires .....	115
7.2. Communication via Ethernet .....	115
7.2.1. Exigences du câblage.....	115
7.2.2. Processus de raccordement .....	115
7.3. Communication via 3G/4G (en option) .....	116
7.3.1. Processus de raccordement .....	116
8. Connexion de l'alimentation .....	120
8.1. Consignes de sécurité pour le raccordement de l'alimentation .....	120
8.2. Spécifications du câblage pour le raccordement de l'alimentation.....	120
8.3. Processus de raccordement de l'alimentation .....	120
9. Première connexion au réseau électrique.....	124
9.1. Révision de l'appareil .....	124
9.1.1. Inspection.....	124
9.1.2. Fermeture hermétique de l'appareil .....	124
10. Configuration .....	125
10.1. Connexion locale.....	125
10.1.1. Connexion locale via Ethernet .....	125

10.1.2. Connexion locale via Wi-Fi .....	126
10.2. Connexion à distance .....	126
11. Fonctionnement .....	127
11.1. Indication d'états .....	127
11.2. Interface utilisateur .....	127
11.3. Processus de charge .....	127
11.3.1. Processus de charge avec authentification .....	127
11.3.2. Processus de charge sans authentification .....	129
12. Dépannage .....	131
12.1. Alarmes .....	131
13. Déconnexion de l'appareil .....	133
14. Maintenance .....	134
14.1. Conditions de sécurité .....	134
14.2. État des câbles et connecteurs de charge .....	134
14.3. État de l'enveloppe .....	134
14.4. État des câbles et des cosses .....	134
15. Traitement des déchets .....	135

EN

ES

FR

IT

PT

# 1. Information concernant ce manuel

Le but de ce manuel est de décrire les bornes de recharge de véhicules électriques INGEREV FUSION et de fournir les informations nécessaires pour leur bonne réception, installation, mise en marche, maintenance et utilisation.

Conservez ce manuel pendant toute la durée de vie de l'équipement.

## INFO

Pour télécharger la dernière version de ce guide, consultez le site [www.ingetteam.com](http://www.ingetteam.com).

## 1.1. Champ d'application

Ce manuel est valable pour les bornes de recharge suivantes :

### INGEREV FUSION Street

- FS1MW (monophasé avec protections manuelles et wattmètres)
- FS1AW (monophasé avec protections, différentiel avec réenclenchement automatique et wattmètres)
- FS3NN (triphasé sans protection, ni wattmètre)
- FS3MW (triphasé avec protections manuelles et wattmètres)
- FS3AW (triphasé avec protections, différentiel avec réenclenchement automatique et wattmètres)

### INGEREV FUSION Wall

- FW1MW (monophasé avec protections manuelles et wattmètres)
- FW1AW (monophasé avec protections, différentiel avec réenclenchement automatique et wattmètres)
- FW3NN (triphasé sans protection, ni wattmètre)
- FW3MW (triphasé avec protections manuelles et wattmètres)
- FW3AW (triphasé avec protections, différentiel avec réenclenchement automatique et wattmètres)

## 1.2. Destinataires

Le présent document est dirigé au personnel qualifié.

Les aptitudes du personnel qualifié auxquelles se réfère ce manuel doivent être, au minimum, celles qui satisfont à toutes les normes, règlements et lois en matière de sécurité applicables aux travaux d'installation et à l'utilisation de cet appareil.

La responsabilité de désigner le personnel qualifié est toujours à la charge de l'entreprise à laquelle appartient ce personnel. Pour préserver la sécurité de l'employé tout en respectant la loi sur la sécurité au travail, c'est à l'entreprise de déterminer qui est apte ou non à réaliser un travail.

Ces entreprises sont responsables de former leur personnel sur les appareils électroniques ainsi que de le familiariser avec le contenu de ce manuel.

## 1.3. Avertissements

Dans ce manuel apparaissent des avertissements permettant de mettre en avant les informations à souligner. En fonction de la nature du texte contenu, il existe trois types d'avertissements :



**DANGER**

Indique des risques pour l'intégrité du personnel ou de l'onduleur.



**ATTENTION**

Indication à caractère important.



**INFO**

Informations supplémentaires ou références à d'autres parties du document, ou à d'autres documents.

## 2. Description de l'appareil

### 2.1. Description générale

Le modèle de chargeur de courant alternatif INGEREV FUSION est conçu pour répondre à toutes les exigences de recharge des véhicules électriques dans les environnements publics et privés.

Il permet de recharger simultanément deux véhicules et ses différentes configurations de prises le rendent compatibles avec les modes 1, 2 et 3.

Conçu pour une utilisation en extérieur et en intérieur, il peut être installé dans des lieux dont l'accès n'est pas restreint.

### 2.2. Modèles

La gamme INGEREV FUSION est disponible en deux versions : FUSION Street pour une installation au sol et FUSION Wall pour une installation murale. Ces versions disposent des variantes suivantes :

	Variantes des modèles INGEREV FUSION Street/Wall				
	FS1MW/ FW1MW	FS1AW / FW1AW	FS3NN/FW3NN	FS3MW/ FW3MW	FS3AW / FW3AW
Réseau	Monophasé	Monophasé	Triphasé	Triphasé	Triphasé
Wattmètre	●	●	●	●	●
Wattmètre MID	●	●		●	●
Dispositif de courant résiduel Type A manuel	●			●	
Dispositif de courant résiduel Type A réenclenchable		●			●
Protection contre les surintensités (courbe C)	●	●		●	●

## 2.3. Tableau des caractéristiques

	INGEREV FUSION Street		INGEREV FUSION Wall	
	Monophasé (FS1)	Triphasé (FS3)	Monophasé (FW1)	Triphasé (FW3)
<b>Entrées et sorties AC</b>				
Tension	1 ph. + N +PE 230 Vac ± 15 %	3 ph. + N +PE 400 Vac ± 15 %	1 ph. + N +PE 230 Vac ± 15 %	3 ph. + N +PE 400 Vac ± 15 %
Puissance d'entrée maximale	14,8 kW (7,4 kW + 7,4 kW)	44 kW (22 kW + 22 kW)	14,8 kW (7,4 kW + 7,4 kW)	44 kW (22 kW + 22 kW)
Fréquence	50/60 Hz			
Courant d'entrée maximal	64 A (32 A + 32 A)			
Connecteurs de sortie	Configurable (type 1 et 2 dans le connecteur et le câble, type 3A, CEE 7/3 type F, CEE 7/5 type E)			
Mode de connexion	5 types de prises et 2 types de câbles			
<b>Réglementation et sécurité</b>				
Réglementation standard	CEI 61851-1, CEI 61851-21-2, CEI 61000			
Surintensité	Dispositif de protection contre les surintensités (courbe C)			
Contacts indirects	Dispositif de courant résiduel (RCD) 30 mA type A <sup>(1)</sup> / détecteur de fuites de courant continu (en option)			
Surtensions <sup>(1)</sup>	Protection contre les surtensions type III			
<b>Fonctionnalités et accessoires</b>				
Communications	Ethernet, Wi-Fi, commutateur Ethernet GPRS-3G/4G (en option)			
Protocole de communications	OCPP			
HMI	Écran TFT couleur 4,3", RFID (Mifare Classic 1K&4K, MifareDesFire WV1, NFC)			
<b>Informations générales</b>				
Consommation en veille	< 10 W			
Mesure de l'énergie	2 wattmètres MID			
Température de service	De -25 °C à 50 °C			
Humidité	< 95 %			
Altitude maximale	2000 m			
Poids	33 kg (2 de type 2)		24 kg (2 de type 2)	
Dimensions (hauteur x largeur x profondeur)	1400 x 320 x 215 mm		800 x 320 x 215 mm	
Enveloppe	Acier galvanisé			
Indice de protection	IP54/IK10 (écran IK08)			
Degré de pollution	PD3			
Marquage	CE			
Directives	Directive Basse tension : 2014/35/EU Directive EMC: 2014/30/UE			

<sup>(1)</sup> Protection manuelle ou réenclenchable en fonction du modèle

<sup>(2)</sup> Il existe une alternative de type B

## 2.4. Prises de courant

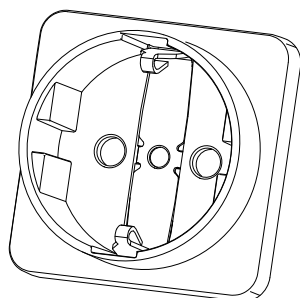
### **ATTENTION**

L'utilisation d'adaptateurs, de convertisseurs et de prolongateurs n'est pas autorisée pour la recharge de véhicules électriques.

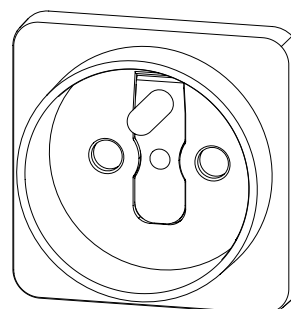
Il est possible d'acquérir ces bornes de recharge avec différentes configurations de connecteurs et de câbles en fonction des besoins du client. Elles permettent la recharge simultanée de deux véhicules, par la connexion de chacun sur un côté du point de recharge.

La configuration la plus habituelle inclut une seule prise de chaque côté, avec la possibilité d'installer au maximum deux prises sur le côté droit. Dans ce cas, ces deux prises ne pourront être utilisées simultanément.

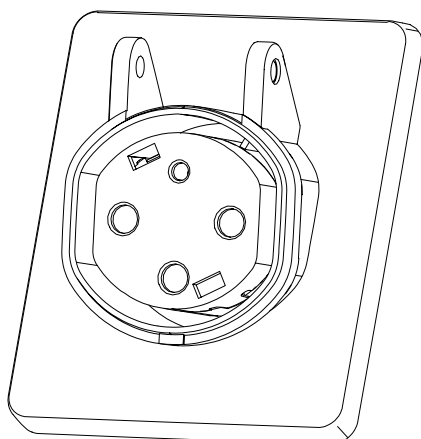
Les différents connecteurs disponibles sont indiqués ci-après.



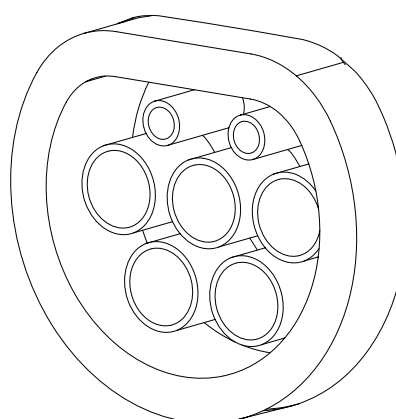
CEE 7/3 Type F



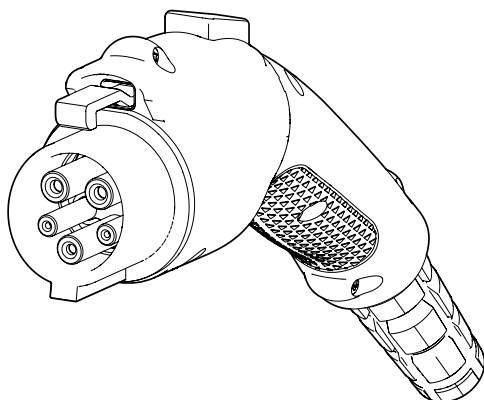
CEE 7/5 Type E



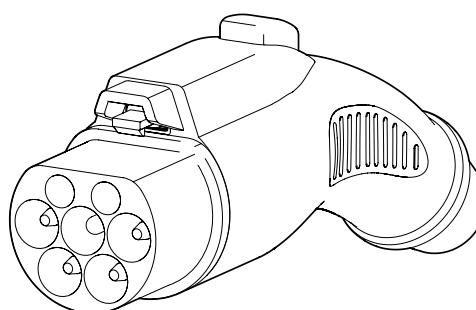
CEI 62196-2 Type 3A



CEI 62196-2 Type 2



Câble type 1



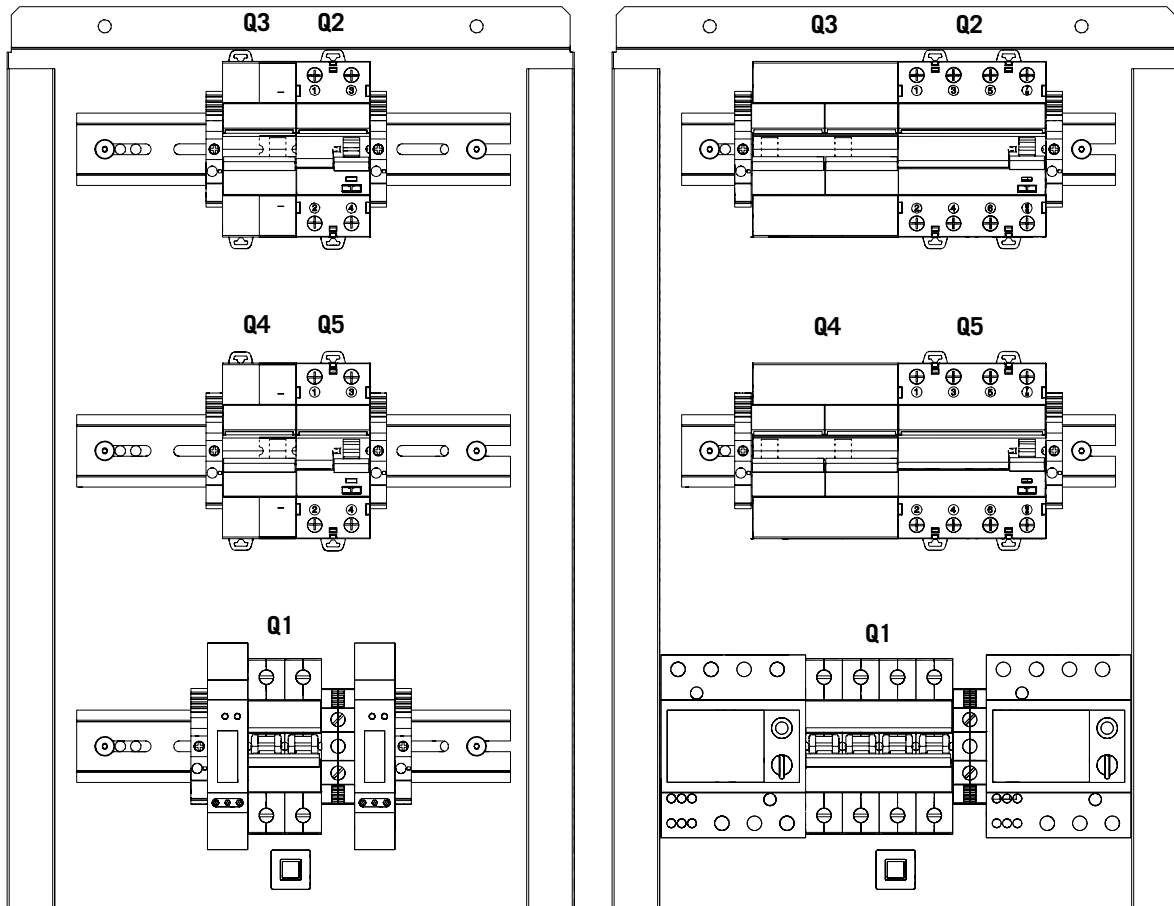
Câble type 2

## 2.5. Protections

En fonction du modèle, la borne de recharge peut disposer de plusieurs protections, décrites ci-après.

### ⚠ ATTENTION

Sur les modèles dépourvus de protections (FS3NN / FW3NN), ces dernières doivent être installées en amont du chargeur, de sorte que chaque point de connexion soit alimenté individuellement par un circuit protégé par un dispositif de protection contre les surintensités et un dispositif différentiel résiduel.



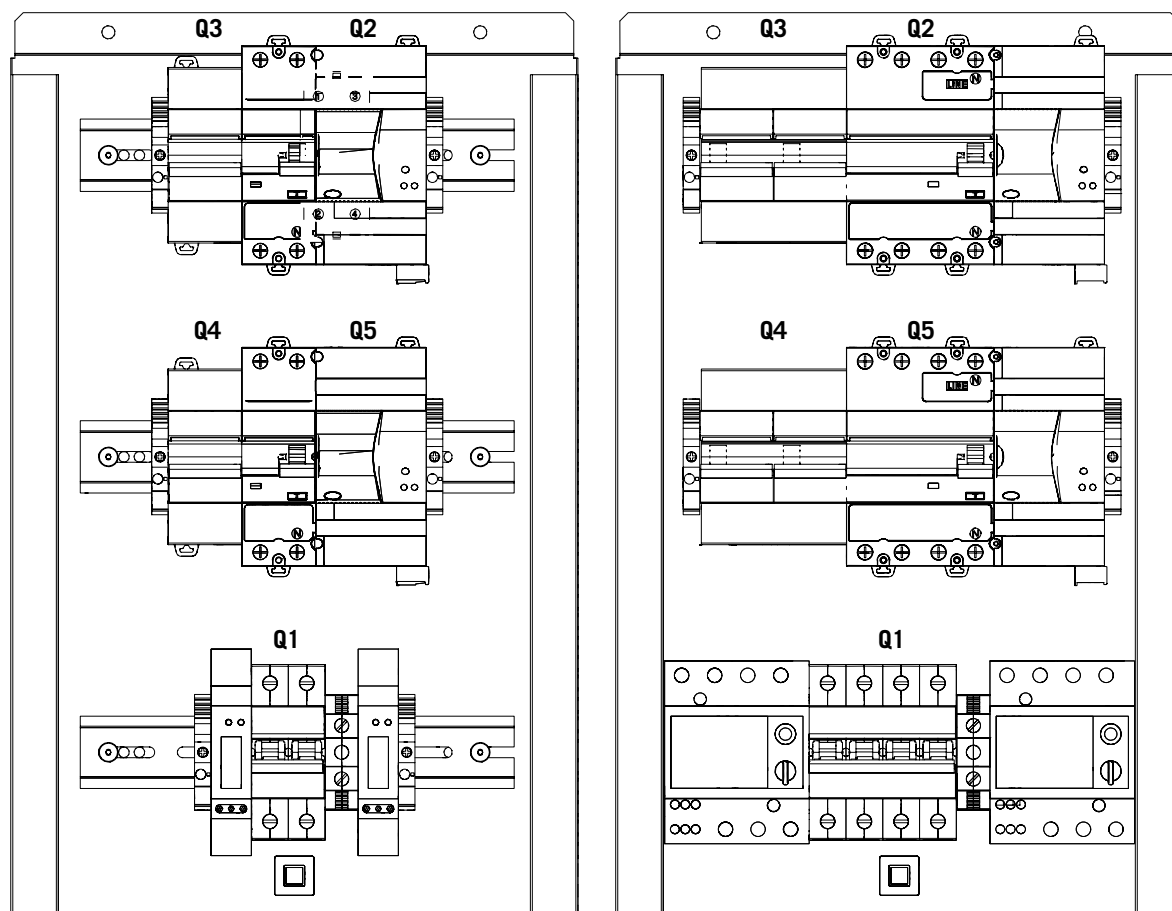
*FS1MW/FW1MW (monophasé avec protections manuelles et wattmètres)*

*FS3MW/FW3MW (triphase avec protections manuelles et wattmètres)*

Dans les deux cas :

- Q1 : Sectionneur principal 80 A
- Q2, Q5 : Disjoncteur 30 mA type A
- Q3, Q4 : Disjoncteur magnétothermique courbe C
- Q2 et Q3 protègent la prise gauche
- Q4 et Q5 protègent la prise droite





*FS1AW / FW1AW (monophasé avec protections, différentiel avec réenclenchement automatique et wattmètres)*

*FS3AW / FW3AW (triphase avec protections, différentiel avec réenclenchement automatique et wattmètres)*

Dans les deux cas :

- Q1 : Sectionneur principal 80 A
- Q2, Q5 : Disjoncteur 30 mA type A
- Q3, Q4 : Disjoncteur magnétothermique courbe C
- Q2 et Q3 protègent la prise gauche
- Q4 et Q5 protègent la prise droite

## 2.6. Exigences EMC

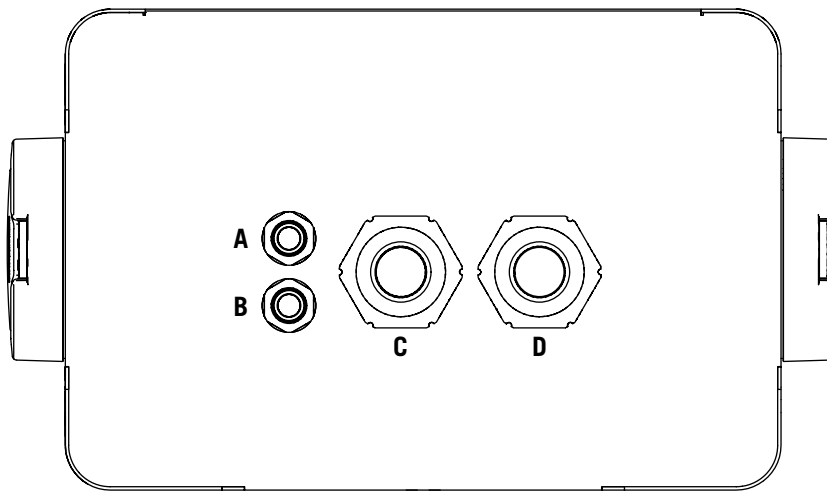
Ces bornes de recharge sont équipées des éléments filtrants nécessaires pour répondre aux exigences EMC pour les applications domestiques afin d'éviter les perturbations d'appareils extérieurs à l'installation.

## 2.7. Accès du câblage

La partie inférieure de la borne comprend une série de presse-étoupes permettant d'insérer le câblage à l'intérieur.

### 2.7.1. INGEREV FUSION Street

Vue inférieure



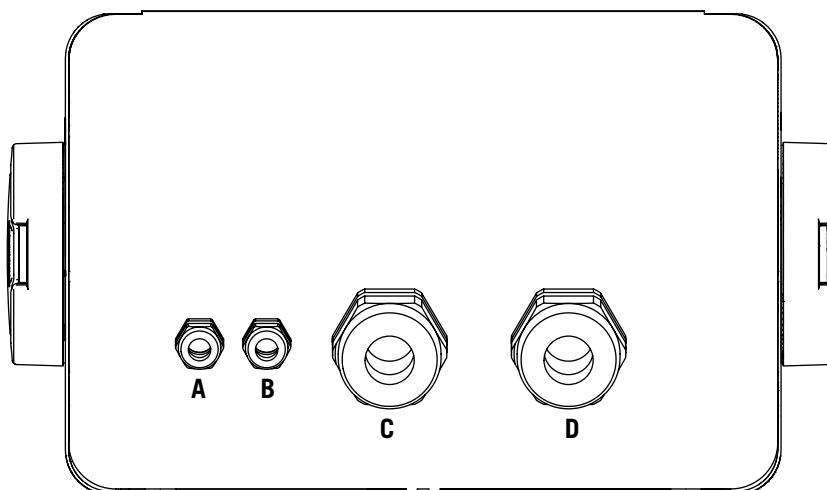
- |   |   |
|---|---|
| <p>A Entrée de communication. PG16, diamètre de câble autorisé : 4 ~ 10 mm.</p> <p>B Sortie de communication. PG16, diamètre de câble autorisé : 4 ~ 10 mm.</p> | <p>C Entrée d'alimentation n° 1. PG40, diamètre de câble autorisé : 16 ~ 28 mm.</p> <p>D Entrée d'alimentation n° 2. PG40, diamètre de câble autorisé : 16 ~ 28 mm.</p> |
|---|---|

**i** INFO

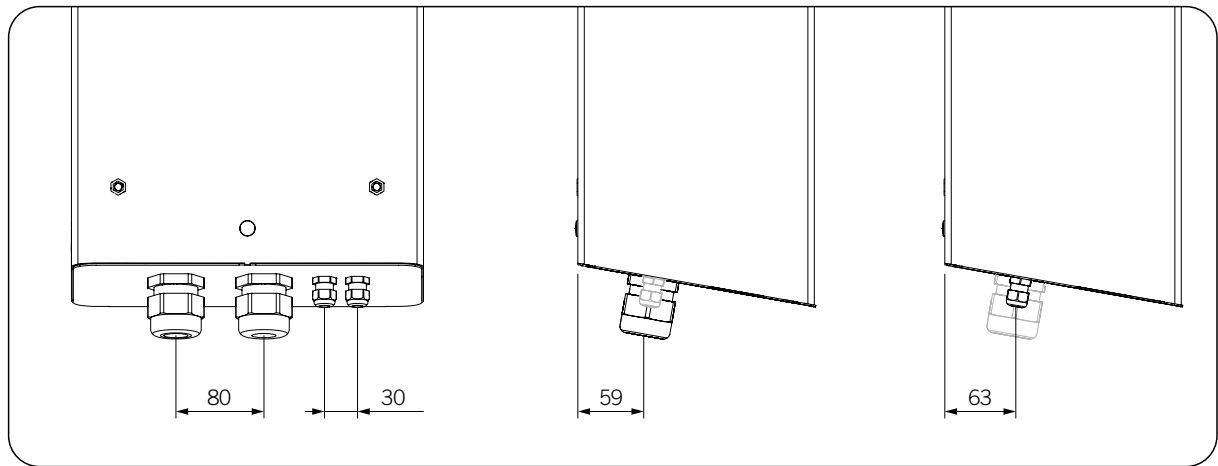
Dans les bornes au sol INGEREV FUSION Street, bien qu'il soit préférable d'insérer le câblage par les accès indiqués dans cette section, il est possible de désinstaller la base métallique sur laquelle sont montés les presse-étoupes afin d'obtenir une plus grande surface d'accès.

### 2.7.2. INGEREV FUSION Wall

Vue inférieure



- |   |   |
|---|---|
| <p>A Entrée de communication. PG16, diamètre de câble autorisé : 4 ~ 10 mm.</p> <p>B Sortie de communication. PG16, diamètre de câble autorisé : 4 ~ 10 mm.</p> | <p>C Entrée d'alimentation n° 1. PG40, diamètre de câble autorisé : 16 ~ 28 mm.</p> <p>D Entrée d'alimentation n° 2. PG40, diamètre de câble autorisé : 16 ~ 28 mm.</p> |
|---|---|



EN  
ES  
FR  
IT  
PT

## 3. Réception et stockage de l'appareil

### 3.1. Réception

Conservez l'appareil emballé jusqu'à son installation.

### 3.2. Identification de l'appareil

Le numéro de série de l'appareil permet de l'identifier de manière non équivoque. Ce numéro doit être mentionné lors de toute communication avec Ingeteam.

Le numéro de série de l'appareil est également indiqué sur la plaque signalétique.

### 3.3. Dommages lors du transport

Si, pendant le transport, l'appareil a été endommagé, procédez comme suit :

1. Ne procédez pas à son installation.
2. Informez immédiatement le distributeur dans les cinq jours suivant la réception de l'appareil.

S'il est finalement nécessaire de renvoyer l'appareil au fabricant, utilisez le même emballage que celui dans lequel il vous a été livré.

### 3.4. Stockage

#### ATTENTION

Le non-respect des instructions fournies dans cette section peut causer des dommages à l'appareil.  
Ingeteam n'assume aucune responsabilité en cas de dommages découlant du non-respect de ces instructions.

Si l'appareil n'est pas installé immédiatement après sa réception, prenez en compte les éléments suivants afin d'éviter qu'il ne se détériore :

- Stockez l'appareil dans son emballage d'origine.
- Maintenez l'appareil à l'abri de la saleté (poussière, copeaux, graisse, etc.) et des rongeurs.
- Évitez qu'il ne reçoive des projections d'eau, des étincelles de soudures, etc.
- Couvrez l'appareil avec un matériau de protection respirant afin d'éviter la condensation due à l'humidité ambiante.
- Les appareils entreposés ne doivent pas être soumis à des conditions climatiques différentes de celles qui sont indiquées dans la section « 2.3. Tableau des caractéristiques ».
- Il est essentiel de protéger l'appareil des produits chimiques corrosifs ainsi que des atmosphères salines.
- N'entreposez pas l'appareil à l'extérieur.

### 3.5. Conservation

Afin de permettre une bonne conservation des appareils, ne retirez pas l'emballage d'origine avant de procéder à leur installation.

En cas d'entreposage prolongé, il est recommandé de conserver les appareils dans des endroits secs, en évitant, si possible, les changements brusques de température.

La détérioration de l'emballage (déchirures, trous, etc.) empêche de conserver les appareils dans des conditions optimales avant leur installation. Ingeteam n'est pas tenu responsable du non-respect de cette condition.

## 4. Transport de l'appareil

L'appareil doit être protégé, pendant son transport, contre les chocs mécaniques, les vibrations, les projections d'eau (pluie) et tout autre produit ou situation pouvant l'endommager ou altérer son comportement. Le non-respect de ces instructions peut entraîner la perte de la garantie du produit ; Ingeteam n'en est pas responsable.

### 4.1. Transport

#### ATTENTION

Il est strictement interdit de transporter ou de soulever l'équipement en tirant sur les tuyaux de charge.

#### Transport par transpalette

Vous devez respecter au minimum les exigences suivantes :

1. Déposez les bornes de recharge emballées au centre des fourches.
2. Veillez à les placer le plus près possible de la jonction entre les fourches et le tireur.
3. Dans tous les cas, respectez le manuel d'utilisation du transpalette.

#### Transport par chariot élévateur

Vous devez respecter au minimum les exigences suivantes :

1. Déposez les bornes de recharge emballées au centre des fourches.
2. Veillez à les placer le plus près possible de la jonction entre les fourches et le tireur.
3. Assurez-vous que les fourches sont parfaitement nivelées afin d'éviter que l'appareil ne se renverse.
4. Dans tous les cas, respectez le manuel d'utilisation du chariot.

Une fois la borne de recharge transportée à l'endroit où elle sera placée, et uniquement au moment de son installation, déballez-la.

Il peut alors être transporté à la verticale ou sur une distance courte sans son emballage.

#### Transport de l'appareil déballé

Vous devez respecter au minimum les exigences suivantes :

1. Suivez les conseils ergonomiques nécessaires pour soulever des poids.
2. Ne lâchez pas l'appareil avant qu'il ne soit parfaitement fixé ou posé.
3. Demandez à une autre personne de vous guider sur les mouvements à réaliser.

### 4.2. Déballage

Il est essentiel de manipuler correctement les bornes de recharge pour :

- ne pas abîmer l'emballage, qui permet de conserver les appareils dans des conditions optimales depuis leur expédition jusqu'au moment de leur installation ;
- éviter les chocs et/ou chutes des bornes de recharge pouvant en altérer les caractéristiques mécaniques ;
- éviter, dans la mesure du possible, les vibrations qui peuvent provoquer un dysfonctionnement ultérieur ;
- déballer l'appareil en position horizontale.

En cas d'anomalie, contactez immédiatement Ingeteam.

#### Se débarrasser de l'emballage

Tout l'emballage peut être remis à un centre agréé de récupération des déchets non dangereux.

Dans tous les cas, les parties de l'emballage seront réparties de la manière suivante :

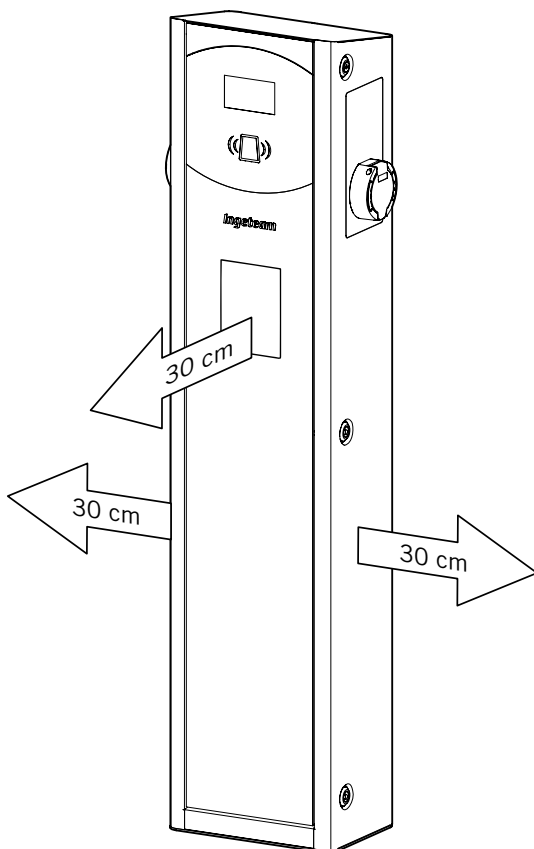
- Plastique (polystyrène, sac et papier bulle) : conteneur correspondant.
- Carton : conteneur correspondant.

## 5. Préparation pour l'installation de l'appareil

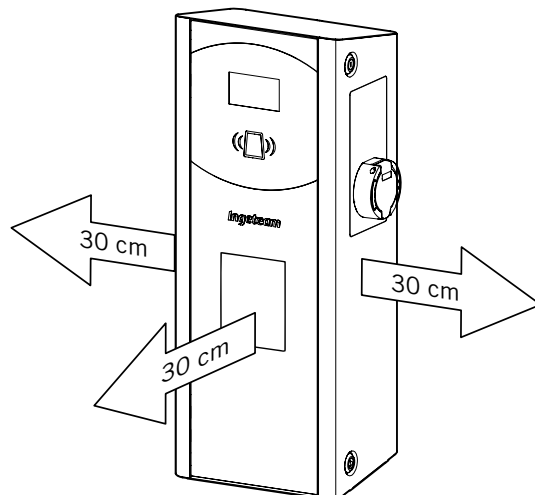
Au moment de décider de l'emplacement de l'appareil et de planifier son installation, vous devez suivre un ensemble de règles découlant de ses caractéristiques.

### 5.1. Environnement

- Ces appareils peuvent être installés en intérieur et extérieur.
- Placez les appareils dans un lieu accessible pour les travaux d'installation et de maintenance permettant leur maniement et la lecture des LED d'indication.
- Évitez les environnements corrosifs qui peuvent affecter le bon fonctionnement de l'appareil.
- Ne laissez pas d'objets posés sur l'appareil ou sur ses côtés.
- Évitez tout obstacle sur les distances minimales suivantes :



INGEREV FUSION Street



INGEREV FUSION Wall

### 5.2. Conditions environnementales

#### ⚠ ATTENTION

Ingeteam ne garantit pas le bon fonctionnement de l'appareil en cas de non-respect des conditions de fonctionnement pour lesquelles il a été conçu.

Évitez les environnements corrosifs qui peuvent affecter le bon fonctionnement de l'appareil. N'installez pas l'appareil dans des zones classées ATEX.

Vous devez tenir compte des conditions environnementales de fonctionnement de l'appareil indiquées dans la section « 2.3. Tableau des caractéristiques » pour choisir son emplacement.

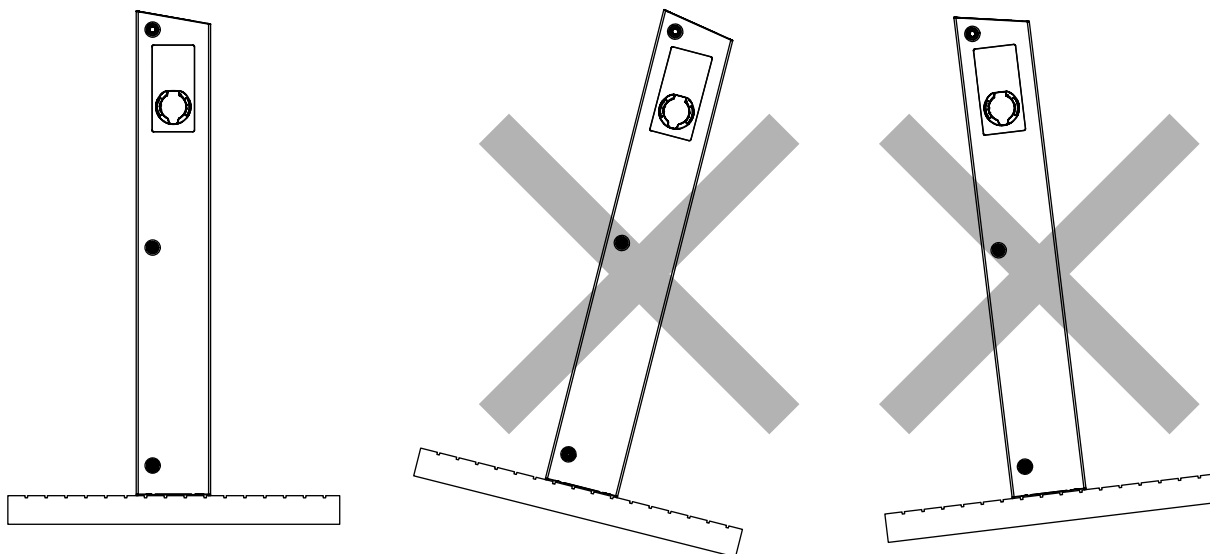
Il convient de prendre en compte que, de façon occasionnelle, il peut se produire une condensation modérée résultant des variations de température. Pour cette raison, et en marge de la protection de l'appareil, il est nécessaire de surveiller ces bornes de recharge, une fois mises en marche dans des lieux qui pourraient ne pas être conformes aux conditions décrites précédemment.

En cas de condensation, l'appareil ne doit en aucun cas être mis sous tension.

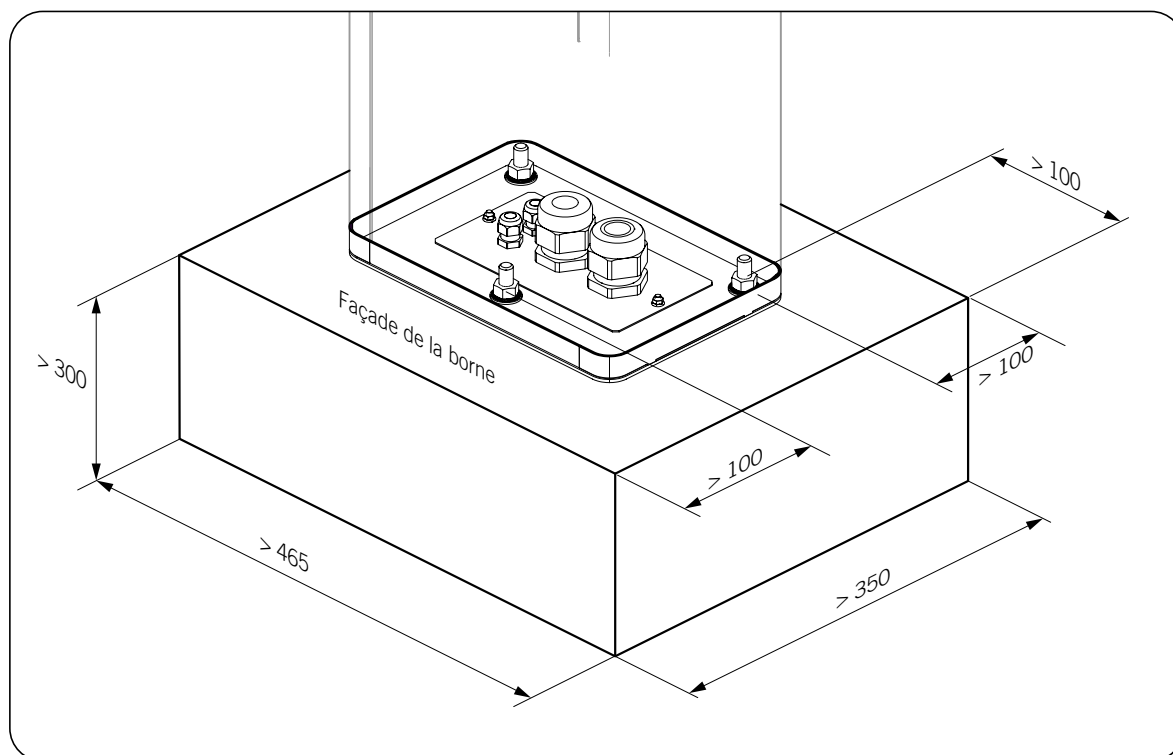
### 5.3. Surface d'appui et de fixation

#### INGEREV FUSION Street

Sur les modèles INGEREV FUSION Street, vous devrez prévoir une surface régulière et solide pour fixer l'appareil en position parfaitement verticale.

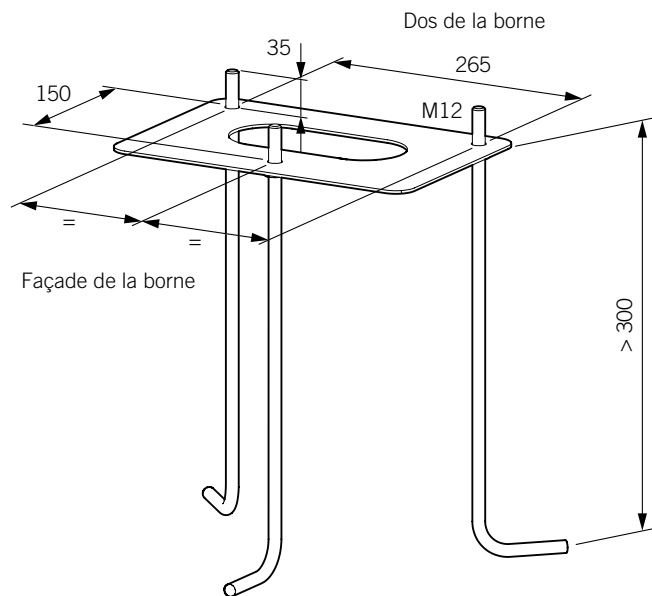


Les détails suivants doivent être pris en compte pour calculer la semelle minimale en béton.



- Distance minimale entre les boulons d'ancrage et les bords de la semelle en béton : 100 mm.
- Épaisseur minimale de la semelle en béton : 100 mm.
- Longueur minimale des boulons d'ancrage : 300 mm.
- Résistance minimale à la traction des boulons : 7,7 kN. Coefficient de sécurité 1,5
- Résistance minimale au cisaillement des boulons : 9,3 kN. Coefficient de sécurité 1,25

Les dimensions des ancrages sont indiquées ci-dessous.



### INGEREV FUSION Wall

Le modèle INGEREV FUSION Wall doit être installé sur une surface régulière, solide et parfaitement verticale, conformément aux spécifications de la réglementation en vigueur sur le lieu d'installation.



## 6. Installation de l'appareil

Avant de procéder à l'installation de l'appareil, retirez son emballage en prenant garde à ne pas endommager l'enveloppe (voir section « 4.2. Déballage »).

Vérifiez l'absence de condensation à l'intérieur de l'emballage. En cas de signes de condensation, l'appareil ne doit pas être installé avant d'avoir entièrement séché.

### ⚠ ATTENTION

Toutes les opérations d'installation devront être conformes à la réglementation en vigueur.

Toutes les opérations impliquant un mouvement de poids importants devront être réalisées à l'aide des moyens d'assistance mécanique nécessaires (grue, palan, etc.).

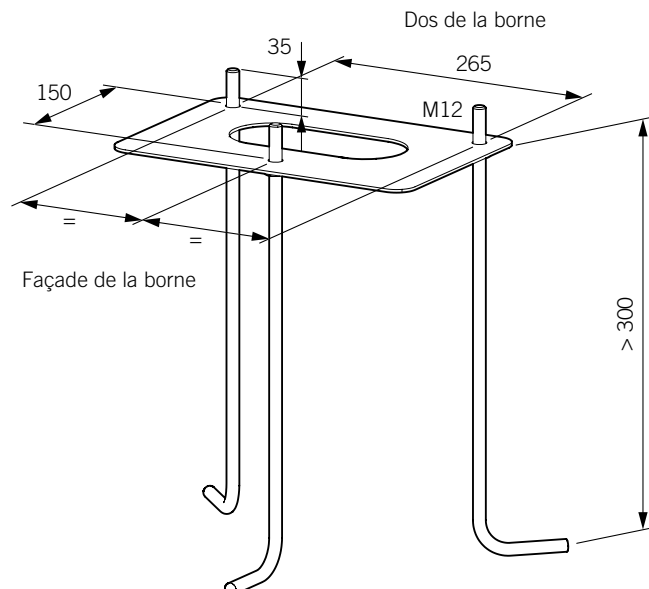
### 6.1. Exigences générales d'installation

- L'environnement de l'appareil doit être adéquat et satisfaire aux directives prescrites dans le chapitre « 5. Préparation pour l'installation de l'appareil ». Par ailleurs, les éléments employés dans le reste de l'installation devront être compatibles avec l'appareil et conformes à la loi applicable.
- La ventilation et l'espace de travail devront être adéquats pour les travaux de maintenance conformément à la réglementation en vigueur.
- Les dispositifs extérieurs de connexion doivent être adéquats et suffisamment proches comme stipulé dans la réglementation en vigueur.
- La section des câbles d'alimentation doit être adaptée à l'intensité maximale.
- Veillez à ce qu'aucun élément extérieur ne se trouve à proximité des entrées et sorties d'air, car cela peut empêcher le bon refroidissement de l'appareil (voir section « 5.1. Environnement »).

### 6.2. INGEREV FUSION Street

Pour installer le modèle INGEREV FUSION Street, procédez comme suit :

1. Placez l'ancrage au sol en respectant les dimensions suivantes.



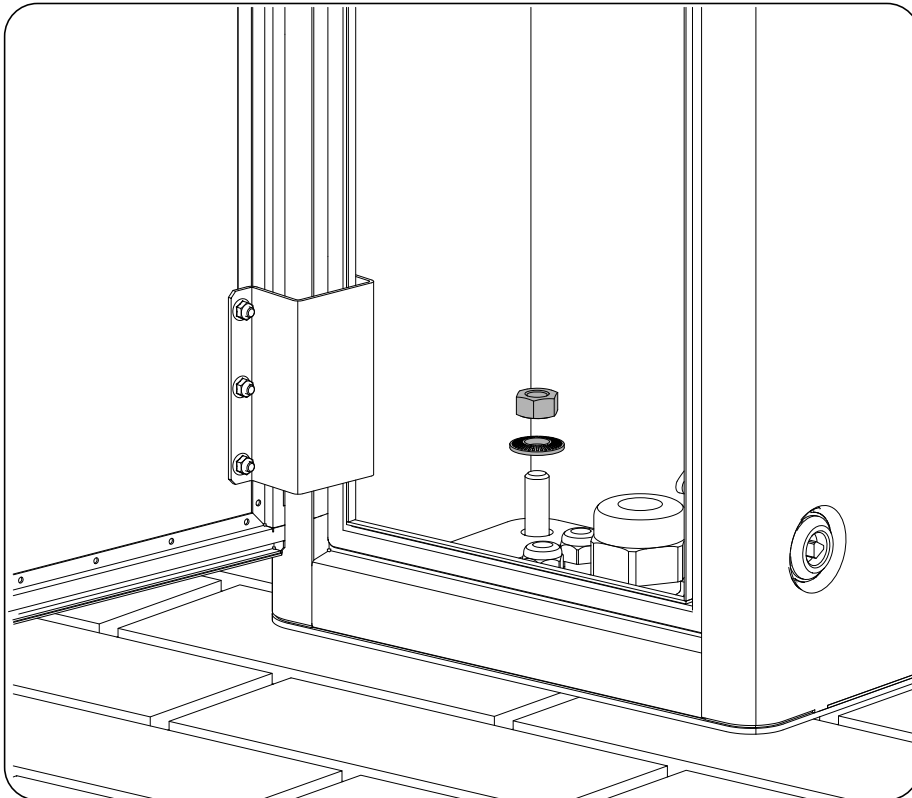
2. Ouvrez les fermetures latérales de la borne pour accéder à l'intérieur. La fermeture supérieure est actionnée par une clé.

3. Insérez le câblage dans les presse-étoupes inférieurs en laissant une certaine marge pour qu'il ne soit pas trop tendu une fois raccordé (voir sections « 2.7. Accès du câblage » et « 8.3. Processus de raccordement de l'alimentation »).

**i INFO**

Bien qu'il soit préférable d'insérer le câblage dans les presse-étoupes, il est possible de dévisser la base des presse-étoupes au cas où plus d'espace serait nécessaire pour le câblage de la connexion.

4. Fixez la borne au sol à l'aide des trois vis et rondelles fournies.



5. Vérifiez la bonne fixation.
6. Retirer le film de protection de la façade.

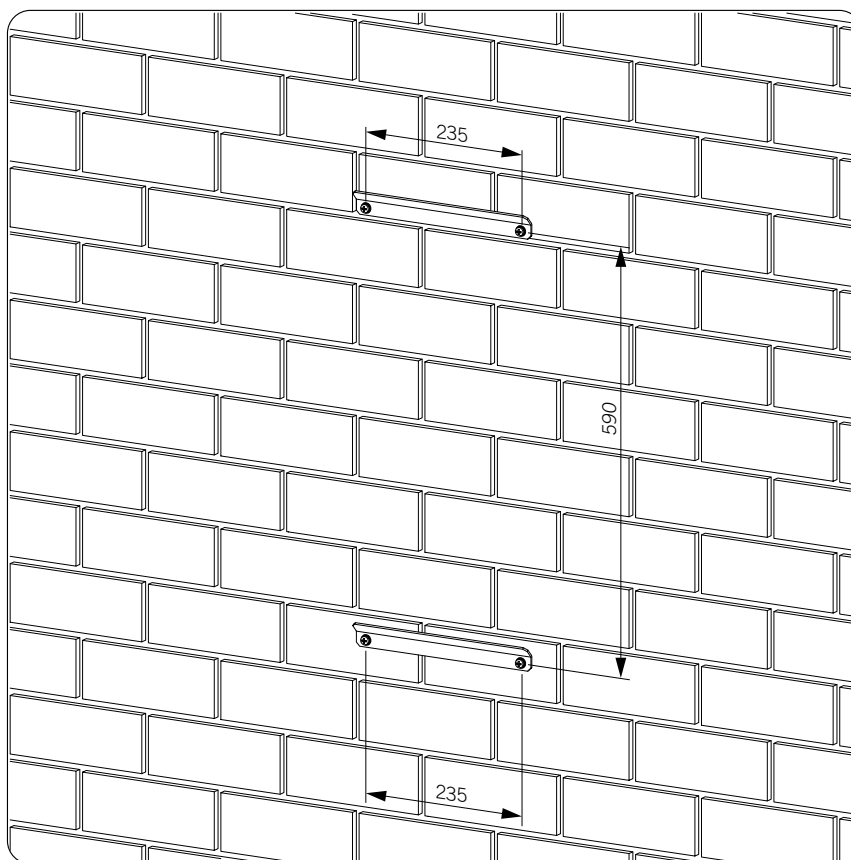
Une fois que l'appareil est installé correctement, vous pouvez procéder aux connexions. Raccordez les connexions en suivant l'ordre suivant :

1. Raccordement des accessoires (en option).
2. Connexion AC.

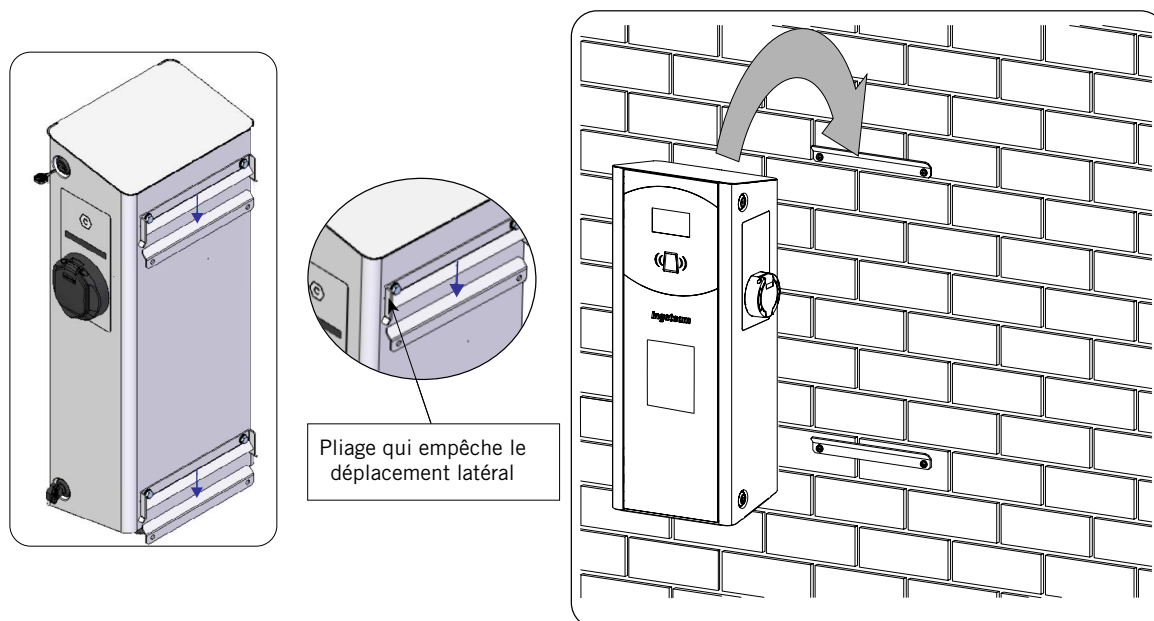
### 6.3. INGEREV FUSION Wall

Pour installer le modèle INGEREV FUSION Wall, procédez comme suit :

1. Installez les platines au mur. Les deux platines sont identiques.



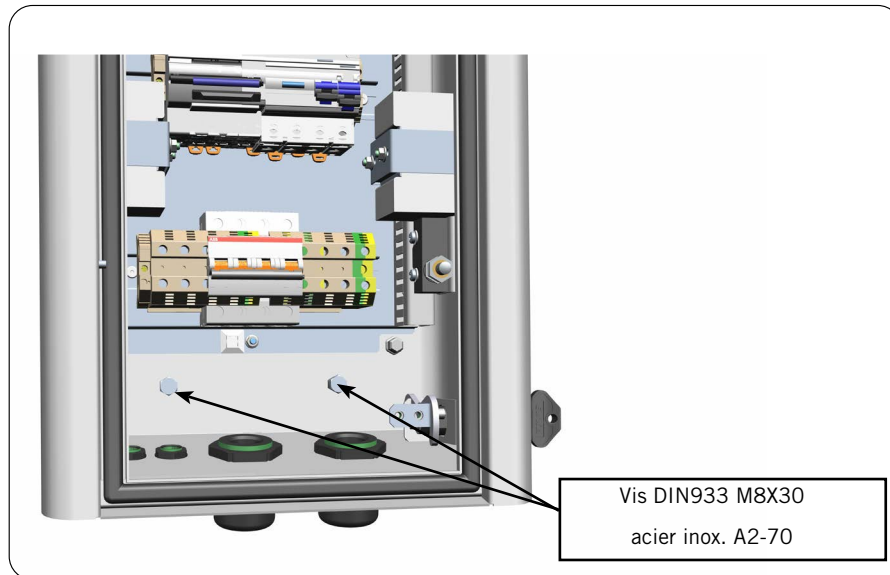
2. Accrochez le chargeur sur les supports.



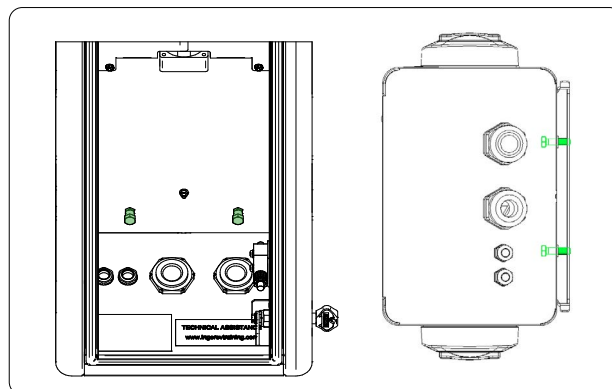
Le chargeur sera accroché au mur en utilisant les supports inclus, qui empêchent le déplacement latéral. Toutefois, le chargeur peut se déplacer verticalement, permettant ainsi son extraction en tirant vers le haut.

Pour fixer l'équipement verticalement, il sera vissé au support de la manière suivant:

3. Ouvrez les fermetures latérales de la borne pour accéder à l'intérieur. La fermeture supérieure est actionnée par une clé.
4. Insérer les vis dans les écrous insérés dans l'enveloppe pour éviter le déplacement vertical.



5. Serrer le vis jusqu'à ce qu'elles butent contre les plaques installées à l'étape 1.



6. Vérifiez la bonne fixation.
7. Insérez le câblage dans les accès situés dans la partie inférieure de la borne (voir sections « 2.7. Accès du câblage » et « 8.3. Processus de raccordement de l'alimentation »).
8. Retirer le film de protection de la façade.

Une fois que l'appareil est installé correctement, vous pouvez procéder aux connexions. Raccordez les connexions en suivant l'ordre suivant :

1. Raccordement des accessoires (en option).
2. Connexion AC.

## 7. Raccordement des accessoires

Ce chapitre explique le processus de raccordement à l'appareil des accessoires de série et en option.

Lisez-le attentivement avant de commencer le processus de connexion.

### 7.1. Consignes de sécurité pour le raccordement d'accessoires

#### **⚠ DANGER**

Garantissez l'absence de tension sur l'appareil avant d'effectuer tout raccordement.

**N'alimentez pas** l'appareil avant d'avoir réalisé correctement tous les autres raccordements et de l'avoir refermé.

Utilisez l'Équipement de Protection Individuelle indiqué dans la section « *Équipements de protection individuelle (EPI)* ».

#### **⚠ ATTENTION**

Ingeteam n'est pas responsable des dommages qu'une mauvaise connexion pourrait entraîner.

### 7.2. Communication via Ethernet

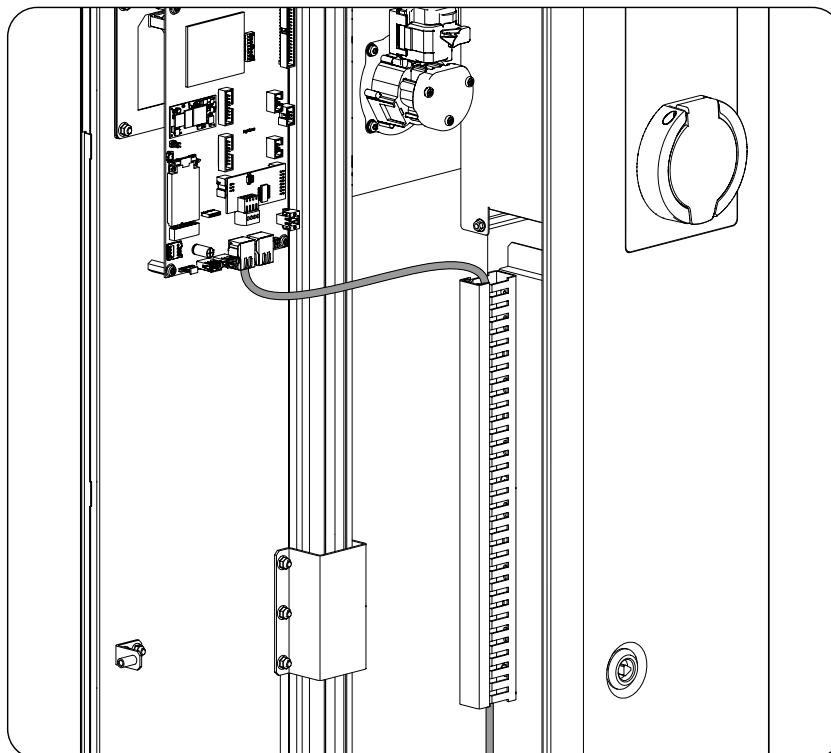
#### 7.2.1. Exigences du câblage

Pour la communication Ethernet, utilisez un câble de 4 à 6 mm de diamètre.

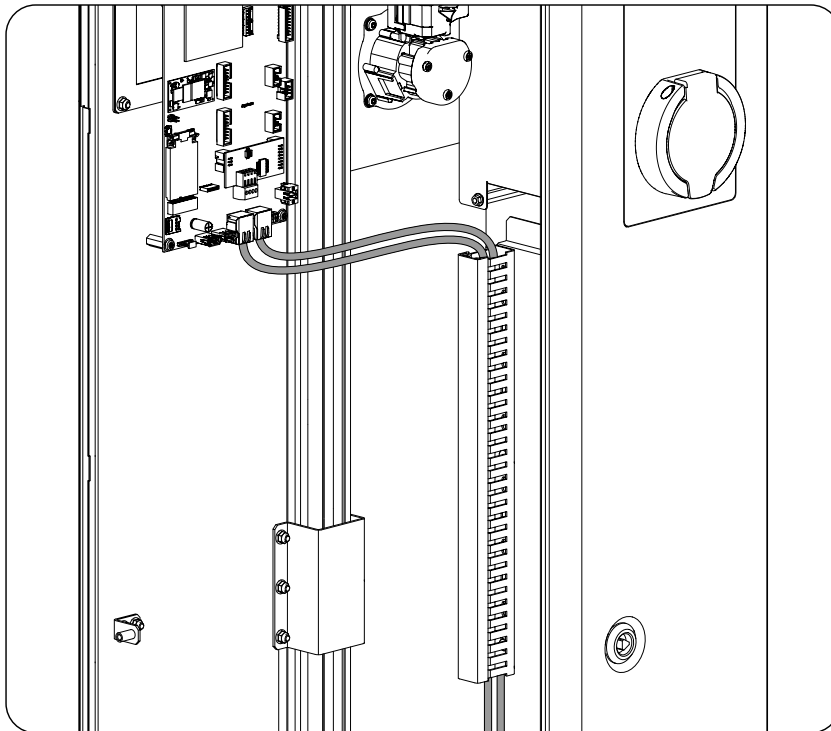
#### 7.2.2. Processus de raccordement

Pour réaliser le raccordement, suivez l'ordre suivant :

1. Dans la zone d'accès du câblage inférieur, introduisez le câblage d'Ethernet par le presse-étoupe correspondant.
2. Guidez le câblage à travers la goulotte latérale et raccordez-le au connecteur J17 ou J18.



3. Si vous voulez raccorder la borne à une autre borne, raccordez-la au connecteur J17 ou J18 (celui qui est libre).



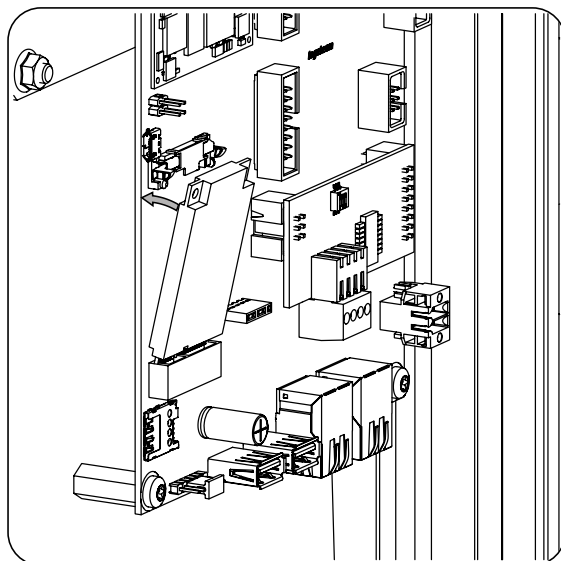
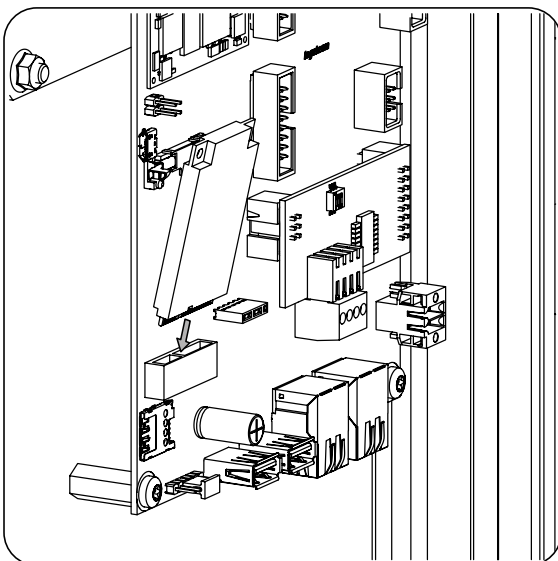
4. Serrez le presse-étoupe pour garantir l'étanchéité, en vous assurant que le câblage ne soit pas trop tendu.

## 7.3. Communication via 3G/4G (en option)

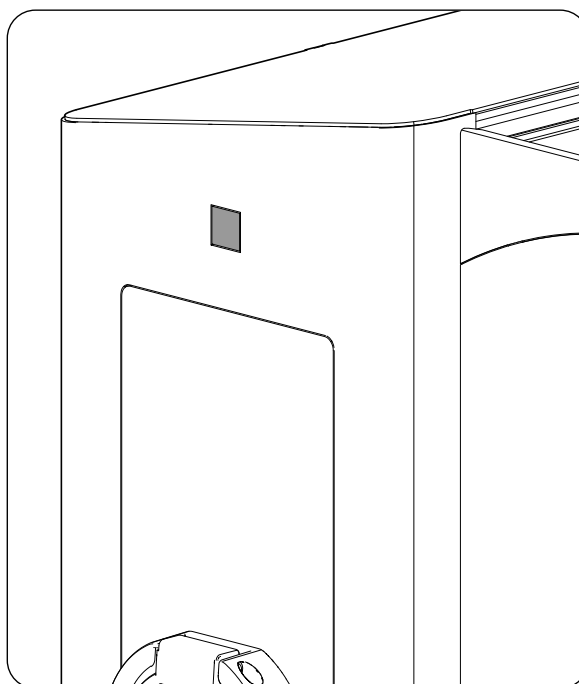
Pour que la borne de recharge dispose de la communication 3G/4G, suivez le processus de raccordement suivant.

### 7.3.1. Processus de raccordement

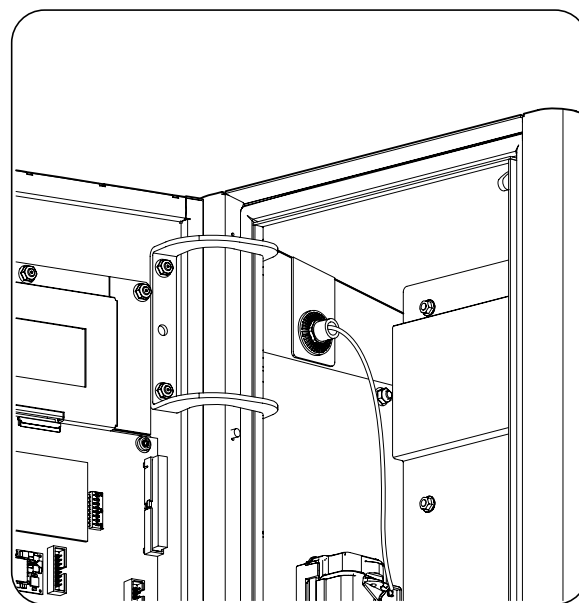
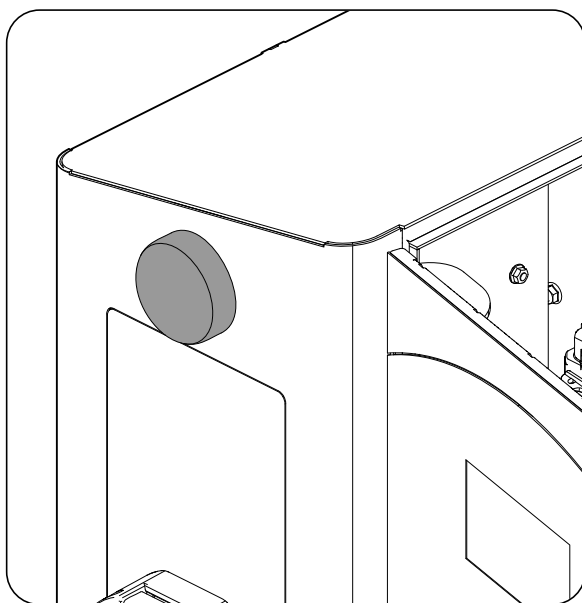
1. Installez le modem sur la carte de contrôle située derrière la porte de la borne.



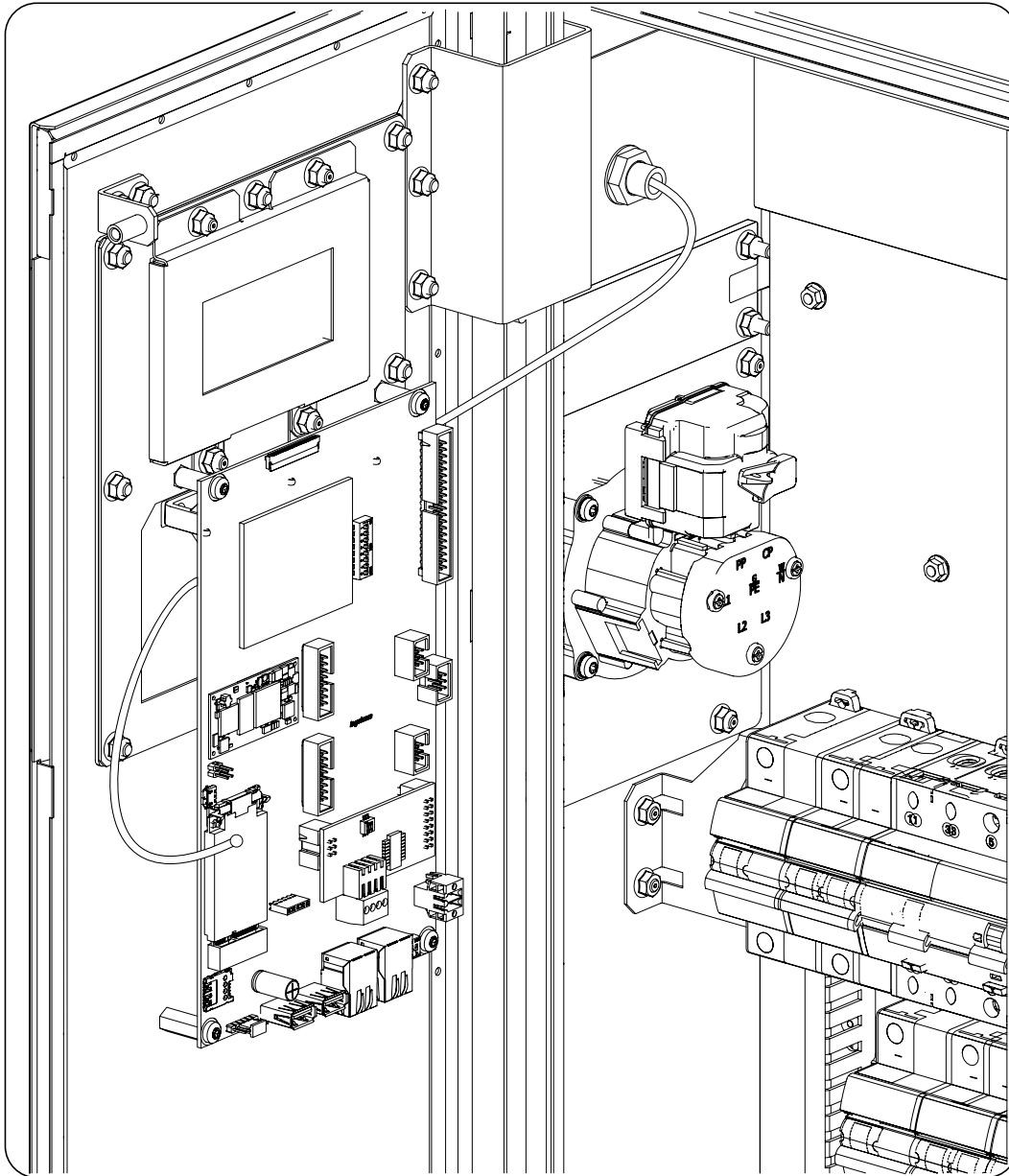
2. Sur le côté gauche de la borne, retirez le matériau prédécoupé indiqué en gris dans la figure suivante.



3. Installez l'antenne 3G/4G.

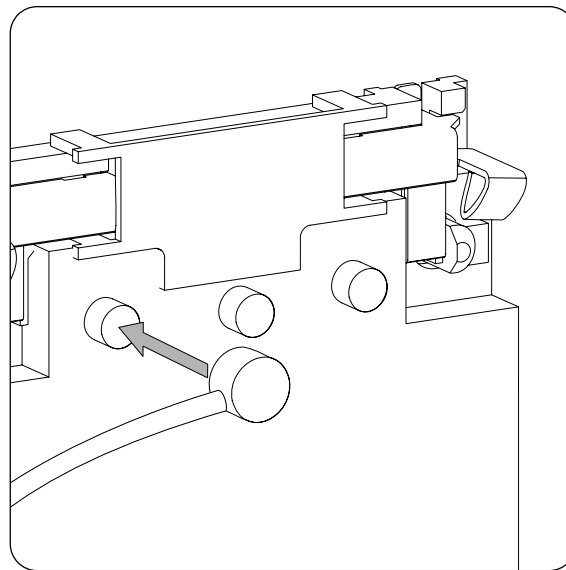
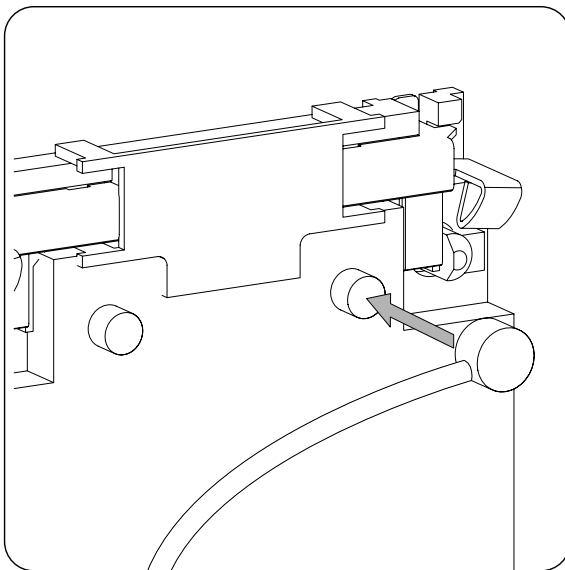


4. Faites passer le câble de l'antenne par le bas de la carte de contrôle située sur la porte de la station.

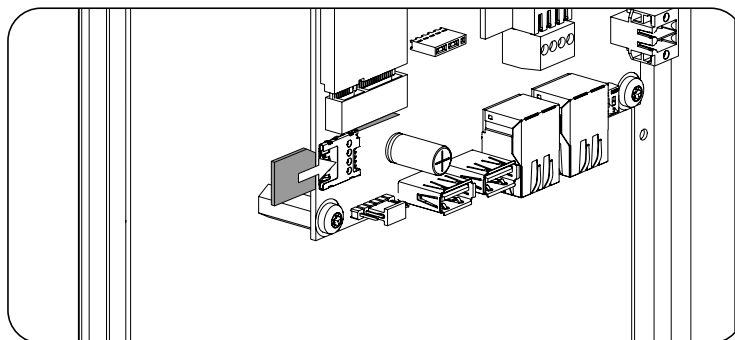




5. Connectez le câble d'antenne en fonction du modèle de modem installé.



6. Insérez la carte MicroSim dans l'emplacement disponible au bas du modem.



7. Vérifiez que la porte se ferme correctement et que le câble de l'antenne n'est pas tendu.

## 8. Connexion de l'alimentation

Ce chapitre explique les spécifications du câblage de l'alimentation et son processus de raccordement à l'appareil. Lisez-le attentivement avant de commencer le processus de connexion.

### INFO

Avant de manipuler l'appareil, consultez la section « *Conditions importantes de sécurité* » ainsi que les indications suivantes.

### 8.1. Consignes de sécurité pour le raccordement de l'alimentation

#### DANGER

Garantissez l'absence de tension sur l'appareil avant d'effectuer tout raccordement.

**N'alimentez pas** l'appareil avant d'avoir réalisé correctement tous les autres raccordements et de l'avoir refermé.

Utilisez l'Équipement de Protection Individuelle indiqué dans la section « *Équipements de protection individuelle (EPI)* ».

Pendant la connexion du chargeur, il faut s'assurer de l'installation correcte des câbles sur les borniers de l'appareil, de sorte qu'aucune pièce sous tension de ce câble ne soit accessible.

Respectez la polarité du câblage de l'alimentation.

#### ATTENTION

Ingeteam n'est pas responsable des dommages qu'une mauvaise connexion pourrait entraîner.

### 8.2. Spécifications du câblage pour le raccordement de l'alimentation

Afin de garantir la sécurité des personnes, pour le fonctionnement correct de l'appareil et pour être conforme à la réglementation applicable, l'appareil doit être raccordé à la terre de l'installation.

Si le chargeur et le point de raccordement au réseau sont séparés par une distance requérant l'utilisation de câbles d'une section supérieure, il est recommandé d'utiliser une boîte de distribution externe à proximité du chargeur pour réaliser ce changement de section.

L'alimentation doit être raccordée avec des câbles monopolaires. Au total, 3 ou 5 câbles seront utilisés en fonction du raccordement d'une prise monophasée (phase, neutre et terre) ou triphasée (trois phases, neutre et terre). Le matériau du conducteur peut être le cuivre ou l'aluminium.

#### ATTENTION

En cas d'utilisation de câbles en aluminium, l'installateur devra disposer des moyens permettant d'éviter l'effet du couple galvanique (cosses bipolaires, interfaces bimétalliques, etc.)

Le courant nominal du sectionneur ou du bornier d'alimentation, en fonction du modèle, est de 80 A.

### INFO

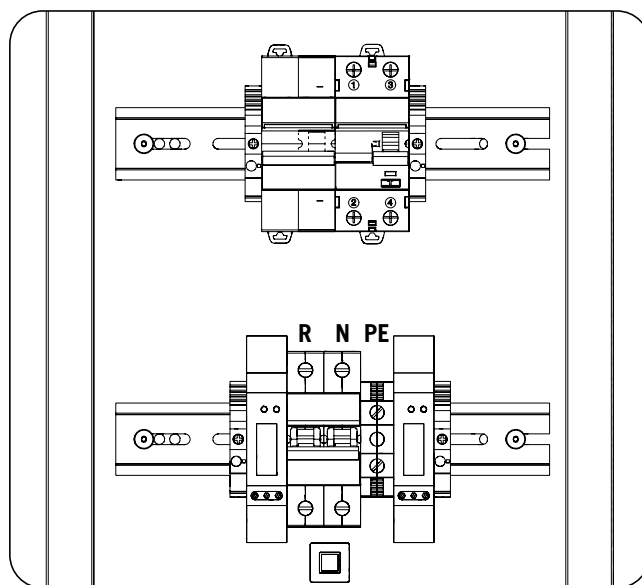
Un appareil triphasé peut fonctionner comme un appareil monophasé en connectant seulement une phase, le neutre et la terre, et en tenant compte du fait que cette phase est connectée à la phase R de l'appareil.

La responsabilité de la dimension du câble de terre incombe à l'installateur, elle devra répondre aux exigences réglementaires s'appliquant à l'installation.

### 8.3. Processus de raccordement de l'alimentation

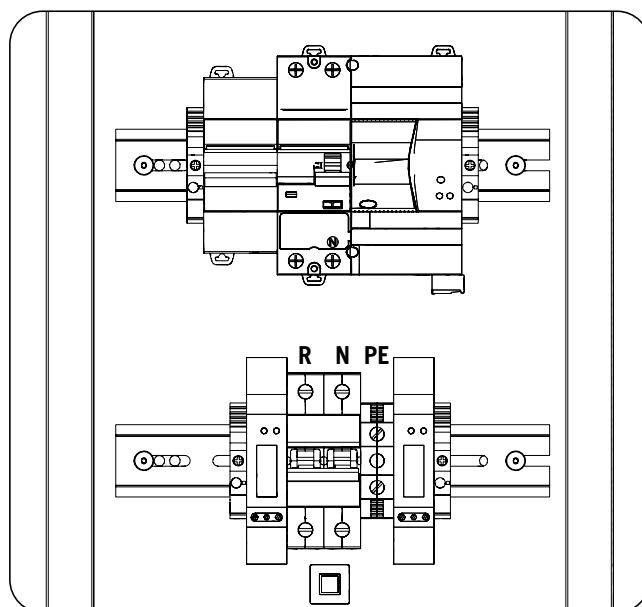
1. Introduisez le câblage par les passe-câbles prévus sur la partie inférieure du chargeur.
2. Raccordez en respectant les polarités selon le type d'appareil.

**FS1MW/FW1MW : Monophasé avec protections**



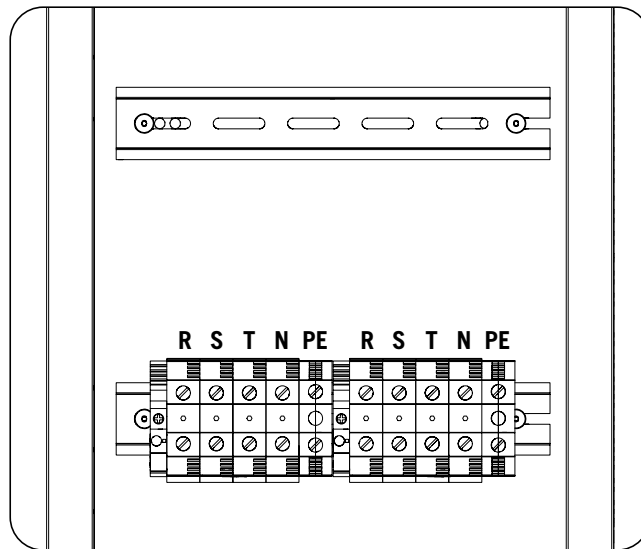
Spécifications de la connexion			
Connexion	Sections de câble autorisées		Couple de serrage
	Câbles souples	Câbles rigides	
R, N	6 ~ 70 mm <sup>2</sup>	6 ~ 50 mm <sup>2</sup>	2,5 Nm
PE	2,5 ~ 50 mm <sup>2</sup>	2,5 ~ 16 mm <sup>2</sup>	4 Nm

**FS1AW / FW1AW : Monophasé avec protections réenclenchables automatiquement**



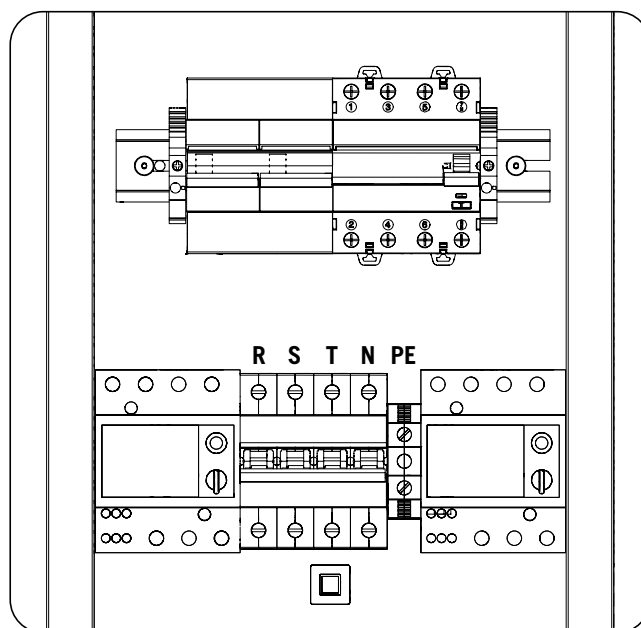
Spécifications de la connexion			
Connexion	Sections de câble autorisées		Couple de serrage
	Câbles souples	Câbles rigides	
R, N	6 ~ 70 mm <sup>2</sup>	6 ~ 50 mm <sup>2</sup>	2,5 Nm
PE	2,5 ~ 50 mm <sup>2</sup>	2,5 ~ 16 mm <sup>2</sup>	4 Nm

**FS3NN/FW3NN : Triphasé sans protection**

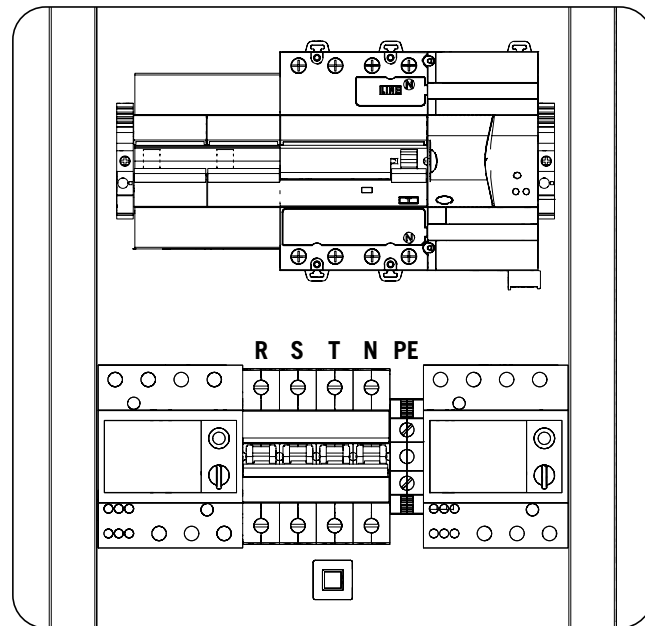


Spécifications de la connexion			
Connexion	Sections de câble autorisées		Couple de serrage
	Câbles souples	Câbles rigides	
R, S, T, N, PE	2,5 ~ 50 mm <sup>2</sup>	2,5 ~ 16 mm <sup>2</sup>	4 Nm

**FS3MW/FW3MW : Triphasé avec protection**



Spécifications de la connexion			
Connexion	Sections de câble autorisées		Couple de serrage
	Câbles souples	Câbles rigides	
R, S, T, N,	6 ~ 70 mm <sup>2</sup>	6 ~ 50 mm <sup>2</sup>	2,5 Nm
PE	2,5 ~ 50 mm <sup>2</sup>	2,5 ~ 16 mm <sup>2</sup>	4 Nm

**FS3AW / FW3AW : Triphasé avec protections réenclenchables automatiquement**

EN  
ES  
FR  
IT  
PT

Spécifications de la connexion			
Connexion	Sections de câble autorisées		Couple de serrage
	Câbles souples	Câbles rigides	
R, S, T, N,	6 ~ 70 mm <sup>2</sup>	6 ~ 50 mm <sup>2</sup>	2,5 Nm
PE	2,5 ~ 50 mm <sup>2</sup>	2,5 ~ 16 mm <sup>2</sup>	4 Nm

- Vérifiez que la membrane passe-câble est posée correctement et que le câblage n'est pas tendu.

## 9. Première connexion au réseau électrique

Ce chapitre décrit les étapes à suivre pour réaliser la première connexion de l'appareil au réseau.

Il faudra d'abord vérifier l'appareil.

### 9.1. Révision de l'appareil

Il faut vérifier le bon état de l'installation avant la mise en marche.

Chaque installation diffère au niveau de ses caractéristiques, du pays où elle est installée ou d'autres conditions particulières qui s'y appliquent. Dans tous les cas, avant de procéder à la mise en marche, assurez-vous que l'installation est conforme à la loi et aux réglementations applicables et qu'elle est terminée, au moins la partie qui va être mise en marche.

#### 9.1.1. Inspection

Avant la première connexion du chargeur au réseau, il faut réaliser une vérification générale des éléments suivants :

##### Révision du câblage

- Vérifiez que les câbles sont correctement raccordés à leurs connecteurs.
- Vérifiez que ces câbles sont en bon état, et qu'il n'existe pas de conditions qui pourraient les endommager, comme par exemple des sources de chaleur intense, des objets coupants ou des dispositions qui les exposent à des risques d'impacts ou de coups.

##### Révision de la fixation de l'appareil

Vérifiez que l'appareil est solidement fixé et ne risque pas de tomber.

#### 9.1.2. Fermeture hermétique de l'appareil

Lors de l'installation, assurez-vous que les opérations de raccordement n'ont pas altéré le degré d'étanchéité de l'appareil.

Veillez à ce que les connecteurs soient bien ajustés et les presse-étoupes bien fermés.

## 10. Configuration

Pour réaliser la première configuration de l'appareil, il est nécessaire d'établir une connexion locale. Une fois cette première configuration réalisée, il est également possible d'établir la connexion à distance. Le processus des deux cas de figure est décrit ci-dessous.

La configuration sera réalisée via l'application INGEREV WEB Manager.

### 10.1. Connexion locale

Pour établir une connexion locale, il est nécessaire que le chargeur et l'ordinateur soient connectés au même réseau de communication.

La connexion locale peut être réalisée via Ethernet ou Wi-Fi.

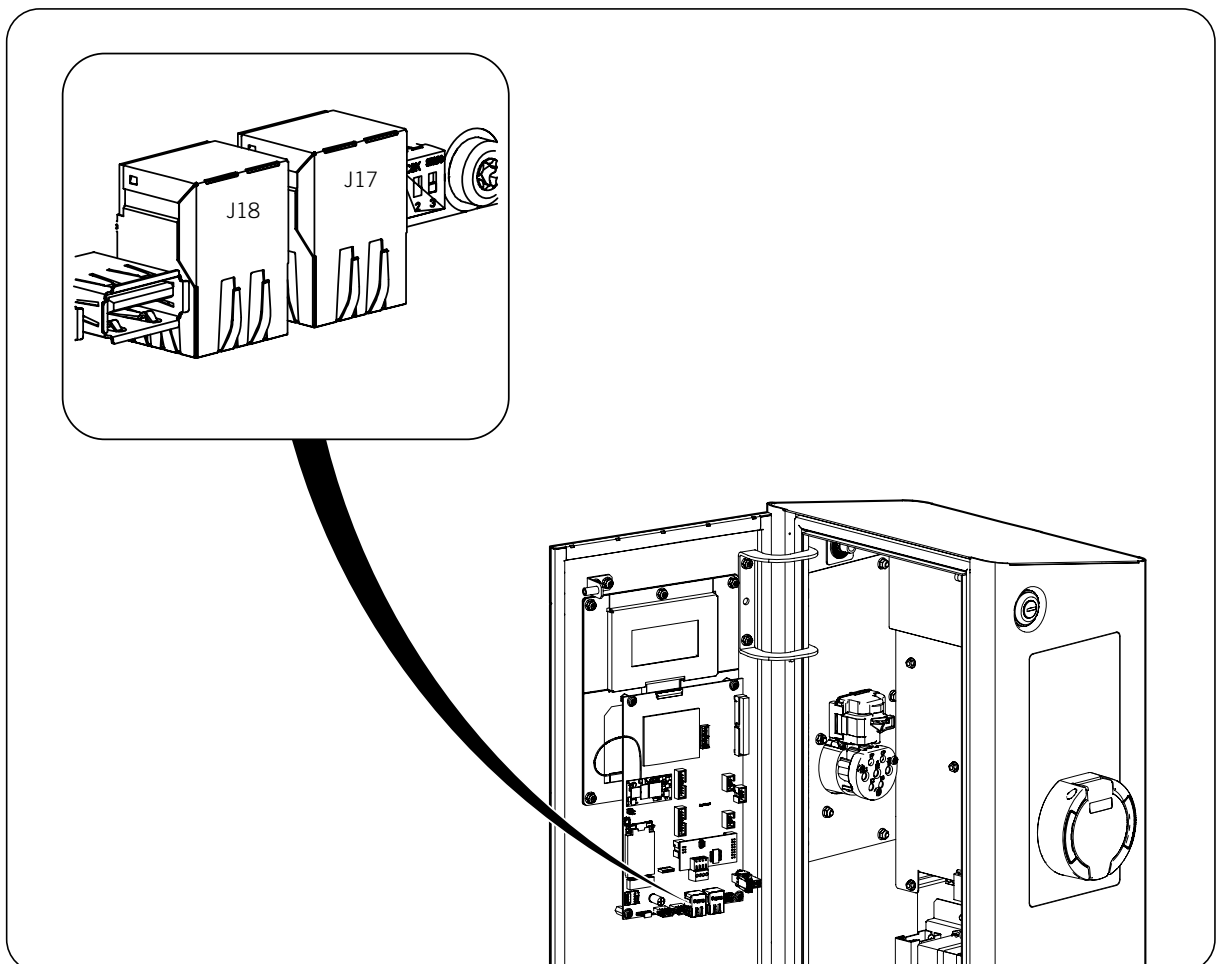
#### 10.1.1. Connexion locale via Ethernet

##### **ATTENTION**

Le câblage Ethernet doit être de type 5E ou supérieur.

Pour établir la connexion, suivez les étapes suivantes :

1. Connectez l'ordinateur à l'appareil via l'un des connecteurs Ethernet disponibles (J17 ou J18).



2. Sur l'ordinateur portable, ouvrez le navigateur Web et accédez à <http://serialNumber.local:8080>, où *serialNumber* correspond au numéro de série de l'appareil ( <http://6SOA182A0001.local:8080>, par exemple). Le numéro de série identifie l'appareil de manière univoque et est également indiqué sur la plaque signalétique.

3. Saisissez l'utilisateur et le mot de passe. L'utilisateur et le mot de passe sont indiqués dans les documents fournis avec l'appareil.
4. Suivez les instructions d'INGEREV WEB Manager.

#### ATTENTION

Certains systèmes d'exploitation, du fait de leur configuration peuvent refuser l'URL décrite précédemment. Dans ce cas, procédez comme suit :

1. Connectez l'ordinateur portable via un câble Ethernet au connecteur J17 ou J18 de l'appareil.
2. Depuis un navigateur Web, accédez à <http://192.168.1.33:8080>.
3. Suivez les étapes indiquées dans le navigateur pour réaliser le processus de configuration.

## 10.1.2. Connexion locale via Wi-Fi

Par défaut, l'appareil est configuré en mode *Access Point*. Cela signifie qu'il génère un réseau Wi-Fi qui permet des connexions de dispositifs tels que des ordinateurs portables, tablettes ou smartphones.

Pour établir la connexion, suivez les étapes suivantes :

1. Connectez le dispositif au réseau généré par le chargeur. Le nom du réseau est identique au numéro de série de l'appareil. Le mot de passe du réseau Wi-Fi sont les 8 premiers chiffres du mot de passe indiqué sur l'étiquette figurant dans la documentation fournie avec l'appareil.
2. Dans le dispositif, ouvrez le navigateur Web et accédez à <http://192.168.2.1:8080> ou à <http://SerialNumber.local:8080>.
3. Saisissez l'utilisateur et le mot de passe. L'utilisateur et le mot de passe sont indiqués dans les documents fournis avec l'appareil.
4. Suivez les instructions d'INGEREV WEB Manager.

## 10.2. Connexion à distance

La communication à distance a pour but de disposer d'accès au chargeur lorsque celui-ci et l'ordinateur sont connectés à Internet depuis des réseaux de communication différents. Le chargeur doit être connecté à Internet via Wi-Fi, Ethernet ou 3G/4G.

Pour établir la connexion, suivez les étapes suivantes :

1. Une fois le chargeur et l'ordinateur connectés à Internet, ouvrez le navigateur Web et accédez à <http://www.ingerev.com/serialNumber>, où *serialNumber* correspond au numéro de série de l'appareil (<http://www.ingerev.com/6SOA182A0001>, par exemple). Le numéro de série identifie l'appareil de manière univoque et est également indiqué sur la plaque signalétique.

#### ATTENTION

Seule l'URL <http://www.ingerev.com/serialNumber> peut être utilisée pour accéder au chargeur si celui-ci possède une IP publique. À l'inverse, si l'on ne dispose pas d'IP publique, cette IP devra être connue (*ipCargador*) pour accéder au chargeur via <http://ipCargador:8080/>.

Si l'on ne dispose pas d'une IP publique, l'ordinateur et le point de recharge doivent être dans le même réseau ou du même APN.

2. Saisissez l'utilisateur et le mot de passe. L'utilisateur et le mot de passe sont indiqués dans les documents fournis avec l'appareil.



## 11. Fonctionnement

La fonction principale de la borne de recharge est l'alimentation et la mesure de l'énergie électrique pour des utilisateurs préalablement autorisés via un système de lecture de cartes RFID, à l'exception des bornes configurées sans authentification.

Cette section détaille le fonctionnement de la borne de recharge.

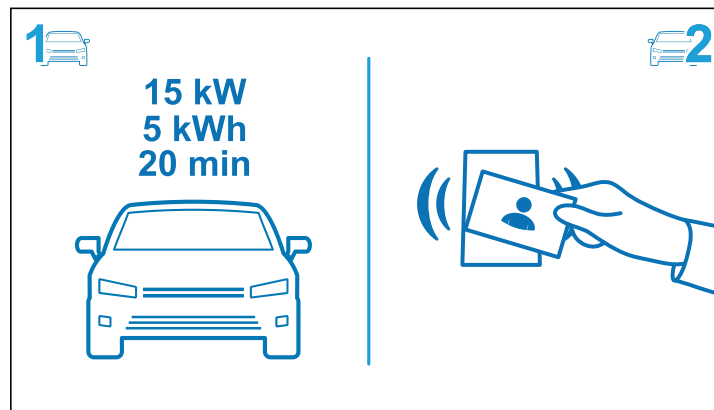
### 11.1. Indication d'états

La borne de recharge indique l'état dans lequel elle se trouve via un voyant lumineux. Elle dispose d'indicateurs indépendants pour chaque prise de courant.

État	Éclairage	Description
En attente d'un véhicule	Vert continu	La borne de recharge attend qu'un véhicule soit connecté pour le charger.
En attente de charge	Jaune clignotant	Un utilisateur a passé la carte dans le lecteur et la prise attend qu'il y connecte son véhicule.
Charge	Bleu continu	Un véhicule a été connecté à la borne de recharge.
Consommation réduite	Bleu clignotant	La consommation est réduite.
Incident	Rouge continu	Une erreur s'est produite dans la borne ou le processus de charge ne s'effectue pas correctement.
Veille	Aucun	La borne de recharge a été déconnectée à distance.
Fin de session	Jaune continu	La session de recharge est terminée.
Carte refusée	Rouge continu	La carte n'est pas valable ou n'a pas été reconnue.

### 11.2. Interface utilisateur

L'écran est divisé en deux parties distinctes, une pour chaque prise disponible.



L'interface guide le processus de charge de l'utilisateur.

### 11.3. Processus de charge

Selon les besoins du client, le processus de charge commence avec ou sans authentification. Le processus des deux cas de figure est expliqué ci-dessous.

#### 11.3.1. Processus de charge avec authentification

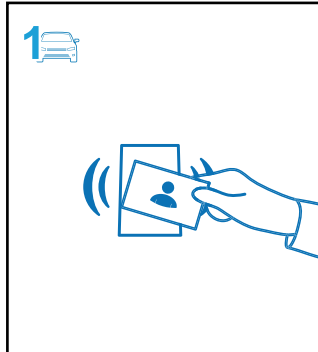
##### **ATTENTION**

Le connecteur d'alimentation électrique ne doit pas être retiré du véhicule pendant la charge.

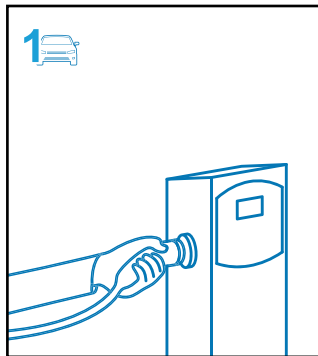
##### Début du processus de charge

1. Vérifiez que la borne se trouve dans l'état *attente véhicule* avec l'éclairage vert.

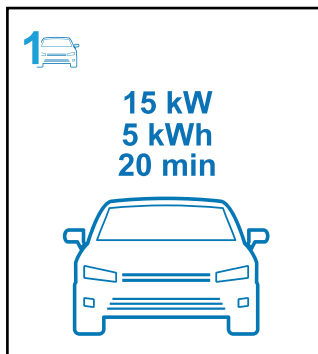
2. Si vous avez une carte d'identification, approchez-la du lecteur de cartes situé dans la partie inférieure de l'écran. Si la lecture est correcte, la borne passe à l'état *attente charge*. Si le gestionnaire de charge utilise une application pour gérer la charge, suivez les instructions de l'application pour démarrer le processus.



3. Connectez le véhicule à la borne.

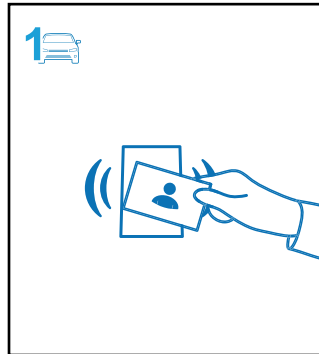


4. La charge commence. Le voyant reste bleu en cas de consommation. Sinon, il clignote.

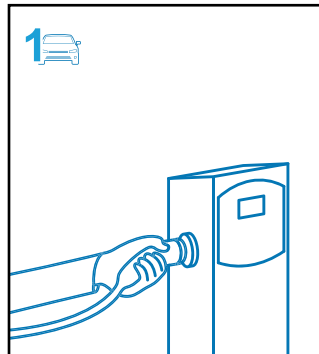


### Fin du processus de charge

1. Pour terminer le cycle de charge, si vous avez une carte d'identification, rapprochez-la du lecteur. Si la charge est gérée par l'application, suivez les instructions de celle-ci.



2. Déconnectez le véhicule.

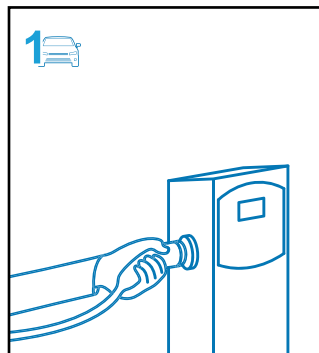


3. Le processus de charge s'arrête.

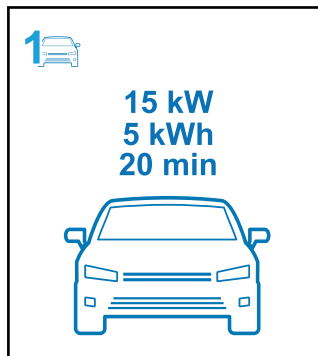
### 11.3.2. Processus de charge sans authentification

#### Début du processus de charge

1. Connectez le véhicule à la borne de recharge.

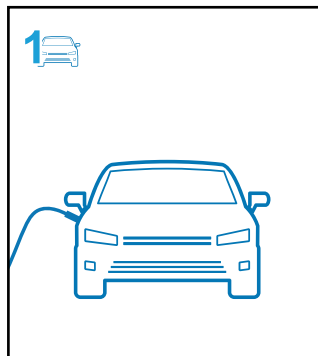


2. La charge commence. Le voyant reste bleu en cas de consommation. Sinon, il clignote.



### Fin du processus de charge

1. Déconnectez le connecteur sur le côté du véhicule.



2. Le processus de charge s'arrête.

## 12. Dépannage

### ATTENTION

Les problèmes de la borne doivent être résolus par le personnel qualifié conformément aux conditions générales de sécurité expliquées dans ce manuel.

### 12.1. Alarmes

Code	Alarme	Description	Solution
0001	Défaut sur l'installation	<p>Les protections de la borne se sont déclenchées.</p> <p>La borne détecte que le défaut persiste sur l'installation et ne procédera pas au réenclenchement des protections tant que le défaut n'aura pas disparu.</p>	<p>Si les protections sont à réenclenchement manuel, il faudra ouvrir la borne pour y accéder.</p> <p>Procédez au réenclenchement des protections dont la commande ne se trouve pas dans la position correcte.</p> <p>Vérifiez le câblage correct des protections et qu'aucun câble n'est desserré.</p> <p>Si l'erreur persiste, contactez le service d'assistance téléphonique d'Ingeteam.</p>
0002	Alimentation interrompue	<p>Deux raisons peuvent expliquer le déclenchement de l'alarme :</p> <ul style="list-style-type: none"> <li>• Absence de réseau électrique. Aucune alimentation électrique. La borne se réinitialisera lorsque l'alimentation reviendra.</li> <li>• Les protections se sont déclenchées. Les protections se sont déclenchées mais le défaut qui en est à l'origine a disparu.</li> </ul>	<p>Une fois le réseau électrique rétabli, si l'erreur persiste vérifiez la présence de tension au niveau de la prise de raccordement de la borne de recharge.</p> <p>Si la cause de l'alarme est un déclenchement des protections internes de l'appareil, réglez le problème comme indiqué pour l'alarme « 001 Défaut sur l'installation ».</p>
0004	Porte ouverte	La porte avant de l'équipement est ouverte	Vérifier que la porte de l'équipement est correctement fermée
0008	Défaut du relais de puissance	Le connecteur est sous tension ou hors tension alors qu'il ne devrait pas.	Informez le service technique de l'incident en indiquant le code d'erreur.
0016	Défaut de communication du compteur d'énergie	La communication interne avec le compteur d'énergie n'est pas correcte, ce qui peut provenir du déclenchement des protections. Faire contrôler l'installation électrique par le personnel qualifié afin de vérifier si les protections se sont déclenchées.	<p>Vérifiez les protections et réenclenchez-les si nécessaire. Si le défaut persiste, vérifiez que la connexion est correcte.</p> <p>Si l'alarme persiste, contactez le service d'assistance téléphonique d'Ingeteam.</p>
0032	Défaut sur le lecteur RFID	Défaut sur le lecteur de cartes RFID	Si le problème persiste, réinitialisez l'appareil (voir la section « 13. Déconnexion de l'appareil »). Si le défaut persiste après le redémarrage, contactez Ingeteam.
0128	Fuite de courant c.c.	Les bornes de recharge peuvent disposer, selon le modèle, d'un capteur de fuite de courant continu. La fuite de courant continu qui déclenche l'alarme est provoquée par le véhicule électrique en cours de charge. Il ne s'agit donc pas d'une alarme de la borne de recharge, mais d'un arrêt de la charge pour des raisons de sécurité.	<p>L'alarme disparaîtra à la fin de la session.</p> <p>Si l'alarme persiste alors qu'aucun véhicule n'est connecté, contactez le service d'assistance téléphonique.</p>

Code	Alarme	Description	Solution
0256	Défaut de séquence de charge	Séquence de charge incorrecte ou déconnexion du véhicule pendant la charge.	Si l'alarme se déclenche à cause de la déconnexion du véhicule pendant la session de charge, elle disparaît à la fin de chaque session. Elle disparaîtra également en cas de redémarrage de l'appareil. Si l'alarme persiste alors qu'aucune session de charge n'est en cours, contactez le service d'assistance téléphonique.
0512	Courant de charge maximale autorisée	Le véhicule n'a pas respecté la limite maximale de courant de charge autorisé sur une durée maximale définie.	L'alarme disparaîtra à la fin de la procédure de charge du véhicule électrique qui a provoqué l'alarme.
1024	Défaut de communication avec le gestionnaire de puissance	Défaut de communication entre la borne et le gestionnaire de puissance. Cette erreur apparaît lorsque la borne est configurée pour travailler avec un gestionnaire de puissance et que celui-ci n'existe pas.	Vérifiez la communication entre la borne et le gestionnaire de puissance. En l'absence de gestionnaire de puissance, désactivez-le dans la configuration de la borne.

## 13. Déconnexion de l'appareil

Cette section décrit le processus à suivre pour déconnecter l'appareil. Si vous souhaitez accéder à l'intérieur de l'appareil, vous devez obligatoirement suivre ces instructions dans l'ordre où elles sont indiquées pour éliminer toute tension.

1. Si un processus de charge est actif, terminez la session de charge.
2. Dans le cas d'un appareil sans protection, coupez l'alimentation de l'extérieur. Si l'appareil comprend des protections, ouvrez-le et débranchez le sectionneur principal Q1.
3. Attendez 10 minutes que les capacités internes se déchargent, que les éléments chauds refroidissent et que le mouvement résiduel des pales des ventilateurs s'arrête.
4. Ouvrez l'appareil et utilisez les EPI adéquats pour vérifier l'absence de tension sur l'alimentation AC ou à la sortie du sectionneur, s'il en existe un sur la borne de recharge.
5. Signalez la zone de sectionnement avec un panneau indiquant « *Attention, manipulation interdite...* ». Délimitez la zone de travail si nécessaire.

EN

ES

FR

IT

PT

## 14. Maintenance

### ⚠ ATTENTION

Les travaux de maintenance recommandés seront réalisés au minimum une fois par an, sauf indication contraire.

### 14.1. Conditions de sécurité

#### ⚠ DANGER

Toutes les vérifications de maintenance indiquées ici devront être réalisées lorsque l'appareil est arrêté, dans des conditions de manipulation sûres, intégrant les spécifications du client pour ce type d'opérations.

L'ouverture de l'enveloppe ne signifie nullement une absence de tension dans l'appareil, de sorte que seul le personnel qualifié peut y accéder en respectant les conditions de sécurité énoncées dans le présent document.

Avant d'ouvrir l'appareil, vous devez le mettre hors tension, comme indiqué dans la section « 13. Déconnexion de l'appareil ».

Garantissez l'absence de tension sur l'appareil avant d'effectuer toute intervention de maintenance.

Pour effectuer les travaux de maintenance sur l'appareil, vous devez utiliser les équipements de protection individuelle spécifiés dans la section « Équipements de protection individuelle (EPI) » du présent document.

### ⚠ ATTENTION

L'ensemble des conditions détaillées par la suite doit être considéré comme un minimum.

Ingeteam n'assume pas la responsabilité des dommages dérivant d'une mauvaise utilisation des appareils. Toute intervention réalisée sur l'un de ces appareils et supposant une modification du câblage électrique par rapport au câblage initial doit être préalablement présentée à Ingeteam. Ces modifications devront être étudiées et approuvées par Ingeteam.

### 14.2. État des câbles et connecteurs de charge

Vérifiez le bon état des câbles et connecteurs. Ils ne doivent présenter aucune trace de choc ou coupure. Vérifiez le bon fonctionnement des connecteurs.

### 14.3. État de l'enveloppe

Il est nécessaire de vérifier régulièrement l'état de l'enveloppe en examinant l'état des fermetures et des portes ainsi que la fixation des appareils au sol ou au mur.

Vérifiez également l'absence de coups ou de rayures qui pourraient dégrader l'enveloppe ou lui faire perdre son indice de protection.

Si ces types de défaut sont identifiés, réparez ou remplacez les parties concernées.

### 14.4. État des câbles et des cosses

Il faut vérifier annuellement l'état des câbles et des cosses :

- Vérifiez la bonne disposition des câbles afin qu'ils n'entrent pas en contact avec des parties actives.
- Assurez-vous qu'il n'y a pas de défauts dans l'isolement et les points chauds en vérifiant la couleur de l'isolement et des cosses.
- Vérifiez que les raccordements présentent le couple de serrage adéquat.



## 15. Traitement des déchets

Ces appareils utilisent des composants nocifs pour l'environnement (cartes électroniques, batteries ou piles, etc.).

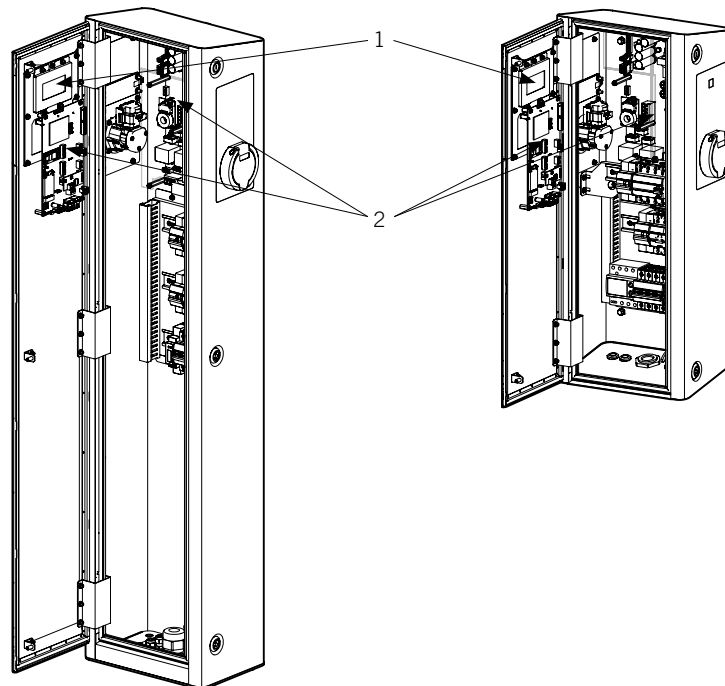


Une fois la vie utile de l'appareil terminée, les déchets doivent être confiés à un centre de récupération agréé pour le traitement des déchets dangereux.

Par le biais de cette section, Ingeteam, conformément à une politique respectueuse de l'environnement, informe le centre de récupération agréé sur la localisation des composants à décontaminer.

Les éléments présents à l'intérieur de l'appareil et qui doivent être traités spécifiquement sont :

1. Écran
2. Cartes de circuits imprimés



## Importanti condizioni di sicurezza

In questa sezione sono descritti gli avvisi di sicurezza e il dispositivo di protezione individuale o la simbologia utilizzata nel dispositivo. **CONSERVARE QUESTE ISTRUZIONI.**

### Condizioni di sicurezza

#### Avvisi generali

##### **PERICOLO**

L'apertura dell'involucro non implica l'assenza di tensione all'interno.

Esso può essere aperto solo da personale qualificato seguendo le istruzioni riportate nel presente manuale.

Esiste un pericolo di scossa elettrica anche dopo aver scollegato la rete.

È severamente vietato l'accesso all'interno del dispositivo attraverso qualsiasi punto diverso dalle apposite porte di accesso. L'accesso deve essere effettuato sempre in mancanza di tensione.

##### **ATTENZIONE**

Le operazioni riportate nel presente manuale possono essere eseguite solo da personale debitamente qualificato.

Quando nel presente manuale si parla di personale qualificato, si intende personale che risponde a tutte le norme, le direttive e le leggi in materia di sicurezza, applicabili agli interventi di installazione e funzionamento di questo dispositivo.

La selezione del personale qualificato è sempre responsabilità della società della quale tale personale fa parte, in quanto la società in questione decide se un lavoratore è adatto o meno a svolgere un determinato lavoro, tutelandone così la sicurezza e rispettando la legge applicabile in materia di sicurezza sul lavoro.

Tali società devono impartire una formazione adeguata sui dispositivi elettrici al proprio personale e fare in modo che il personale prenda dimestichezza con il contenuto di questo manuale.

È obbligatorio rispettare la legge applicabile in materia di sicurezza per quanto riguarda i lavori elettrici.

Il rispetto delle istruzioni di sicurezza esposte nel presente manuale o della legislazione indicata, non esime dal rispetto di altre norme specifiche relative a installazione, luogo, paese o altre circostanze che riguardino il dispositivo.

L'insieme delle indicazioni sulla sicurezza riportate nel presente documento deve essere ritenuto una misura minima di sicurezza. È sempre preferibile disinserire l'alimentazione generale. Possono essere presenti difetti di installazione che producono ritorni di tensione indesiderati. Esiste il pericolo di scosse elettriche.

Secondo le norme fondamentali di sicurezza, tutte le attrezzature devono essere adeguate a proteggere i lavoratori esposti dal rischio di contatto diretto e indiretto. In qualsiasi caso le parti elettriche delle attrezzature di lavoro devono essere conformi a quanto disposto dalla normativa specifica corrispondente.

Secondo la normativa generale sulla sicurezza, l'impianto elettrico non deve comportare rischi di incendio o esplosione. I lavoratori dovranno essere adeguatamente protetti dal rischio di incidenti causati da contatti diretti o indiretti. L'impianto elettrico e i dispositivi di protezione dovranno tenere in considerazione la tensione, i fattori esterni condizionanti e la competenza delle persone che hanno accesso alle parti dell'impianto.

Per verificare l'assenza di tensione è obbligatorio l'impiego di strumenti di misura di categoria III-1100 V.

##### **INFORMAZIONI**

Queste istruzioni devono essere ben accessibili accanto al dispositivo e poste alla portata degli utenti.

Prima dell'installazione e della messa in servizio, leggere attentamente queste istruzioni di sicurezza e gli avvisi, nonché tutti i segnali di avvertenza apposti sul dispositivo. Assicurarsi che tutti i segnali di avvertenza rimangano perfettamente leggibili e che quelli danneggiati o mancanti vengano sostituiti.

La protezione contro il contatto diretto è assicurata dall'involucro.

**i INFORMAZIONI**

Il dispositivo è stato testato in base alla normativa applicabile per soddisfare i requisiti di sicurezza, i valori delle distanze di isolamento e le vie di fuga per le tensioni di utilizzo.

**Possibili pericoli per le persone****⚠ PERICOLO**

Scossa elettrica.

Il dispositivo può essere ancora carico anche dopo aver scollegato l'alimentazione elettrica.

Seguire attentamente la procedura obbligatoria per disinserire la tensione, riportata in questo manuale.

Esplosione.

Il rischio di esplosione è molto improbabile e in casi molto specifici di funzionamento anomalo.

La carcassa protegge persone e oggetti da un'eventuale esplosione solo se chiusa in modo corretto.

Schiacciamento e lesioni delle articolazioni.

Seguire sempre le indicazioni fornite dal manuale per movimentare e collocare il dispositivo.

Il peso del dispositivo può provocare lesioni se non viene manipolato in modo corretto.

**Possibili pericoli per il dispositivo****⚠ PERICOLO**

Non toccare le schede né i componenti elettronici. I componenti più sensibili potrebbero risultare danneggiati o distrutti dall'elettricità statica.

Non disinserire né collegare alcun terminale mentre il dispositivo è in funzione. Disinserire e verificare l'assenza di tensione prima di eseguire qualsiasi operazione.

## Dispositivi di protezione individuale (DPI)

Quando si lavora sul dispositivo, utilizzare almeno le seguenti dotazioni di sicurezza consigliate da Ingeteam.

Denominazione	Spiegazione
Calzature di sicurezza	In conformità con la norma <i>UNE-EN-ISO 20345:2012 ANSI Z41.1-1991</i>
Elmetto con maschera per il volto	In conformità con la norma <i>UNE-EN 397:1995, ANSI Z89.1-2014</i> , qualora vi siano elementi con tensione che siano accessibili direttamente
Indumenti da lavoro	Aderenti, non infiammabili, 100% cotone
Guanti dielettrici	In conformità con la norma <i>EN 60903:2005 ASTM D 120-87</i>

Le attrezzature o i dispositivi utilizzati in attività in tensione devono disporre almeno di isolamento di categoria III-1100 Volt.

Nel caso in cui le normative del luogo di installazione esigano un altro tipo di dispositivo di protezione individuale, è necessario completare in modo adeguato il dispositivo consigliato da Ingeteam.

## Simboli

Il dispositivo include i seguenti avvisi:



### Rischio elettrico

**Avviso di tensione pericolosa:** segnala la presenza di alta tensione che potrebbe causare lesioni gravi o mortali e/o danni alle apparecchiature.



**Attenzione, superficie calda:** avverte della presenza di superfici calde che potrebbero causare gravi ustioni.



Messa a terra



È obbligatorio leggere il manuale di istruzioni.



Le apparecchiature elettriche ed elettroniche non devono essere smaltite nei rifiuti domestici.

# Contenuti

Importanti condizioni di sicurezza .....	137
Condizioni di sicurezza.....	137
Dispositivi di protezione individuale (DPI).....	139
Simboli .....	139
Contenuti .....	140
1. Informazioni su questo manuale .....	142
1.1. Campo di applicazione .....	142
1.2. Destinatari .....	142
1.3. Avvisi.....	142
2. Descrizione del dispositivo .....	143
2.1. Visione generale.....	143
2.2. Modelli .....	143
2.3. Caratteristiche .....	144
2.4. Prese di corrente.....	145
2.5. Protezioni.....	146
2.6. Requisiti EMC .....	147
2.7. Accessi del cablaggio .....	147
2.7.1. INGEREV FUSION Street.....	148
2.7.2. INGEREV FUSION Wall .....	148
3. Ricevimento del dispositivo e stoccaggio .....	150
3.1. Ricevimento .....	150
3.2. Identificazione del dispositivo .....	150
3.3. Danni durante il trasporto .....	150
3.4. Stoccaggio .....	150
3.5. Conservazione.....	150
4. Movimentazione del dispositivo .....	151
4.1. Trasporto.....	151
4.2. Disimballaggio.....	151
5. Preparazione per l'installazione del dispositivo.....	152
5.1. Ambiente .....	152
5.2. Condizioni ambientali.....	152
5.3. Superficie di appoggio e fissaggio .....	153
6. Installazione.....	155
6.1. Requisiti generali di installazione .....	155
6.2. INGEREV FUSION Street.....	155
6.3. INGEREV FUSION Wall .....	157
7. Collegamento degli accessori.....	159
7.1. Indicazioni di sicurezza per il collegamento degli accessori .....	159
7.2. Comunicazione via Ethernet .....	159
7.2.1. Requisiti del cablaggio.....	159
7.2.2. Procedura di connessione .....	159
7.3. Comunicazione via 3G/4G (optional) .....	160
7.3.1. Procedura di connessione .....	160
8. Collegamento dell'alimentazione.....	164
8.1. Indicazioni di sicurezza per il collegamento dei cavi di alimentazione .....	164
8.2. Requisiti del cablaggio per il collegamento dei cavi di alimentazione .....	164
8.3. Procedura di collegamento dell'alimentazione elettrica .....	164
9. Primo collegamento alla rete elettrica .....	168
9.1. Revisione del dispositivo.....	168
9.1.1. Ispezione .....	168
9.1.2. Chiusura ermetica del dispositivo .....	168
10. Configurazione.....	169
10.1. Connessione locale .....	169
10.1.1. Connessione locale tramite Ethernet.....	169

10.1.2. Connessione locale tramite Wi-Fi.....	170
10.2. Connessione remota .....	170
11. Funzionamento .....	171
11.1. Indicazioni di stato .....	171
11.2. Interfaccia utente .....	171
11.3. Processo di ricarica.....	171
11.3.1. Processo di ricarica con autenticazione.....	171
11.3.2. Processo di ricarica senza autenticazione.....	173
12. Risoluzione dei problemi.....	175
12.1. Allarmi.....	175
13. Disconnessione del dispositivo .....	177
14. Manutenzione.....	178
14.1. Condizioni di sicurezza .....	178
14.2. Stato dei tubi flessibili e dei connettori di ricarica.....	178
14.3. Stato dell'involucro .....	178
14.4. Stato dei cavi e dei terminali .....	178
15. Smaltimento dei rifiuti.....	179

EN

ES

FR

IT

PT

# 1. Informazioni su questo manuale

Con il presente manuale si descrivono le stazioni di ricarica per veicoli elettrici INGEREV FUSION e vengono fornite le informazioni necessarie per realizzare correttamente le attività di ricevimento, installazione, messa in servizio, manutenzione e funzionamento delle stesse.

Conservare questo manuale per tutta la durata dell'apparecchiatura.

## INFORMAZIONI

Per scaricare l'ultima versione di questo manuale, consultare la pagina web [www.ingeteam.com](http://www.ingeteam.com).

## 1.1. Campo di applicazione

Il presente manuale è valido per le seguenti stazioni di ricarica:

### INGEREV FUSION Street

- FS1MW (monofase con protezioni manuali e wattmetri)
- FS1AW (monofase con protezioni, differenziale con riarmo automatico e wattmetri)
- FS3NN (trifase senza protezioni, senza wattmetri)
- FS3MW (trifase con protezioni manuali e wattmetri)
- FS3AW (trifase con protezioni, differenziale con riarmo automatico e wattmetri)

### INGEREV FUSION Wall

- FW1MW (monofase con protezioni manuali e wattmetri)
- FW1AW (monofase con protezioni, differenziale con riarmo automatico e wattmetri)
- FW3NN (trifase senza protezioni, senza wattmetri)
- FW3MW (trifase con protezioni manuali e wattmetri)
- FW3AW (monofase con protezioni, differenziale con riarmo automatico e wattmetri)

## 1.2. Destinatari

Il presente documento è rivolto a personale qualificato.

Quando nel presente manuale si parla di personale qualificato, si intende personale che risponde a tutte le norme, le direttive e le leggi in materia di sicurezza, applicabili agli interventi di installazione e funzionamento di questo dispositivo.

La selezione del personale qualificato è sempre responsabilità della società della quale tale personale fa parte, in quanto la società in questione decide se un lavoratore è adatto o meno a svolgere un determinato lavoro, tutelandone così la sicurezza e rispettando la legge applicabile in materia di sicurezza sul lavoro.

Tali società devono impartire una formazione adeguata sui dispositivi elettrici al proprio personale e fare in modo che il personale prenda dimestichezza con il contenuto di questo manuale.

## 1.3. Avvisi

Nel manuale sono presenti avvisi per segnalare informazioni di particolare rilievo. A seconda della natura del testo sono possibili tre tipi di avvisi:



**PERICOLO**

Indica pericoli per l'incolumità della persona o per l'inverter.



**ATTENZIONE**

Indicazione importante.



**INFORMAZIONI**

Informazioni aggiuntive o riferimenti ad altre parti del documento o ad altri documenti.

## 2. Descrizione del dispositivo

### 2.1. Visione generale

Le stazioni di ricarica INGEREV FUSION sono un modello di colonnine di ricarica in corrente alternata pensate per soddisfare tutte le necessità di ricarica dei veicoli elettrici in ambienti pubblici e privati.

Permettono la ricarica simultanea di due veicoli e sono dotate di diversi tipi di prese che le rendono adatte sia al Modo 3 di ricarica che ai Modi 1 e 2.

Sono progettate per uso interno ed esterno e possono essere installate in luoghi di libero accesso.

### 2.2. Modelli

La gamma INGEREV FUSION è disponibile in due versioni: FUSION Street per l'installazione a terra, e FUSION Wall per l'installazione a parete. Di queste versioni sono disponibili le seguenti varianti:

	Varianti dei modelli INGEREV FUSION Street / Wall				
	FS1MW / FW1MW	FS1AW / FW1AW	FS3NN / FW3NN	FS3MW / FW3MW	FS3AW / FW3AW
Rete	Monofase	Monofase	Trifase	Trifase	Trifase
Misuratore di potenza	●	●	●	●	●
Wattmetro MID	●	●		●	●
Dispositivo a corrente residua di tipo A manuale	●			●	
Dispositivo a corrente residua di tipo A riarmabile		●			●
Protezione da sovracorrente (Curva C)	●	●		●	●



## 2.3. Caratteristiche

	INGEREV FUSION Street		INGEREV FUSION Wall	
	Monofase (FS1)	Trifase (FS3)	Monofase (FW1)	Trifase (FW3)
<b>Ingressi e uscite AC</b>				
Tensione	1ph. + N +PE 230 Vac ± 15%	3ph. + N +PE 400 Vac ± 15%	1ph. + N +PE 230 Vac ± 15%	3ph. + N +PE 400 Vac ± 15%
Potenza massima di ingresso	14,8 kW (7,4 kW + 7,4 kW)	44 kW (22 kW + 22 kW)	14,8 kW (7,4 kW + 7,4 kW)	44 kW (22 kW + 22 kW)
Frequenza	50 / 60 Hz			
Corrente massima di ingresso	64 A (32 A + 32 A)			
Connettori di uscita	Configurabile (tipo 1 e tipo 2 sia nella presa che nel cavo, Tipo 3A, CEE 7/3 Tipo F, CEE 7/5 tipo E)			
Modalità di collegamento	5 tipi di attacchi e 2 tipi di cavi			
<b>Normativa e sicurezza</b>				
Normativa standard	IEC-61851-1, IEC-61851-21-2, IEC-61000			
Sovracorrente	Dispositivo di protezione da sovracorrente (Curva C)			
Contatti indiretti	Dispositivo di corrente residua (RCD) 30 mA tipo A <sup>(1)</sup> / Rilevatore fughe di corrente continua (optional)			
Sovratensioni <sup>(1)</sup>	Protezione contro la sovratensione di tipo III			
<b>Funzioni e accessori</b>				
Comunicazioni	Ethernet, Wi-Fi, Switch Ethernet GPRS-3G/4G (optional)			
Protocollo di comunicazione	OCPP			
HMI	4,3" display TFT a colori, RFID (Mifare Classic 1K&4K, MifareDesFire WW1, NFC)			
<b>Informazioni generali</b>				
Consumo in standby	< 10 W			
Misurazione dell'energia	2 x Wattmetri MID			
Temperatura di esercizio	-25 °C a 50 °C			
Umidità	<95%			
Altezza massima	2000 m			
Peso	33 kg (2 x Tipo 2)		24 kg (2 x Tipo 2)	
Dimensioni (altezza x larghezza x profondità)	1400 x 320 x 215 mm		800 x 320 x 215 mm	
Involucro	Acciaio galvanizzato			
Grado di protezione	IP54 / IK10 (display IK08)			
Grado di inquinamento	PD3			
Marchio	CE			
Direttive	Direttiva Bassa Tensione: 2014/35/UE Direttiva EMC: 2014/30/UE			

<sup>(1)</sup> Protezione manuale o riarmabile in base al modello

<sup>(2)</sup> Esiste l'alternativa di tipo B

## 2.4. Prese di corrente

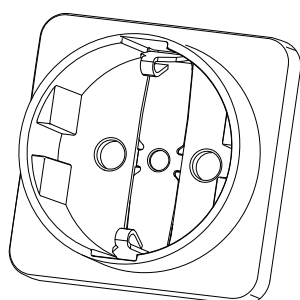
### **ATTENZIONE**

Non è consentito l'utilizzo di adattatori, convertitori o prolunghe per la ricarica di veicoli elettrici.

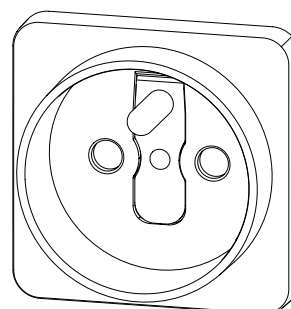
Queste stazioni di ricarica sono disponibili con diverse configurazioni di connettori e tubi flessibili a seconda delle esigenze del cliente. Permettono la ricarica simultanea di due veicoli collegando ciascuno di essi ad un lato del punto di ricarica.

La configurazione più comune prevede una singola presa su ogni lato, tuttavia è possibile anche l'installazione di due prese sul lato destro. In questo caso però, le due prese non possono essere utilizzate contemporaneamente.

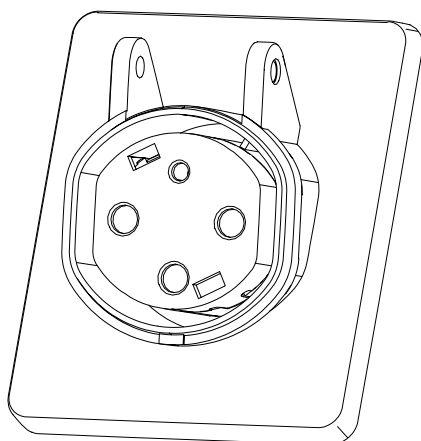
I connettori a disposizione sono i seguenti:



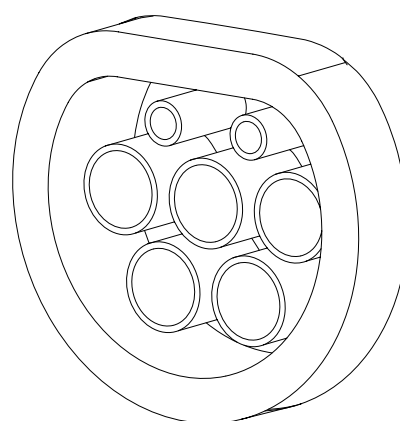
*CEE 7/3 Tipo F*



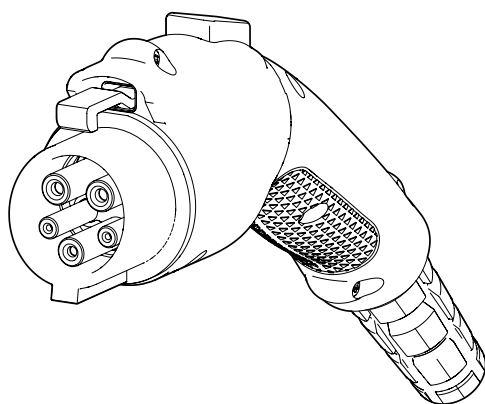
*CEE 7/5 Tipo E*



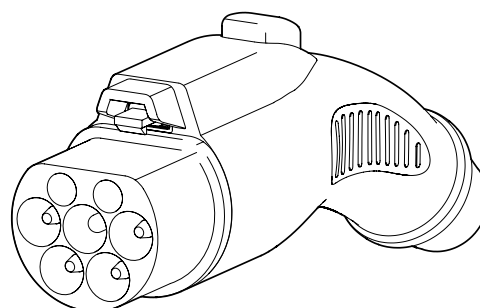
*IEC 62196-2 Tipo 3A*



*IEC 62196-2 Tipo 2*



*Cavo Tipo 1*



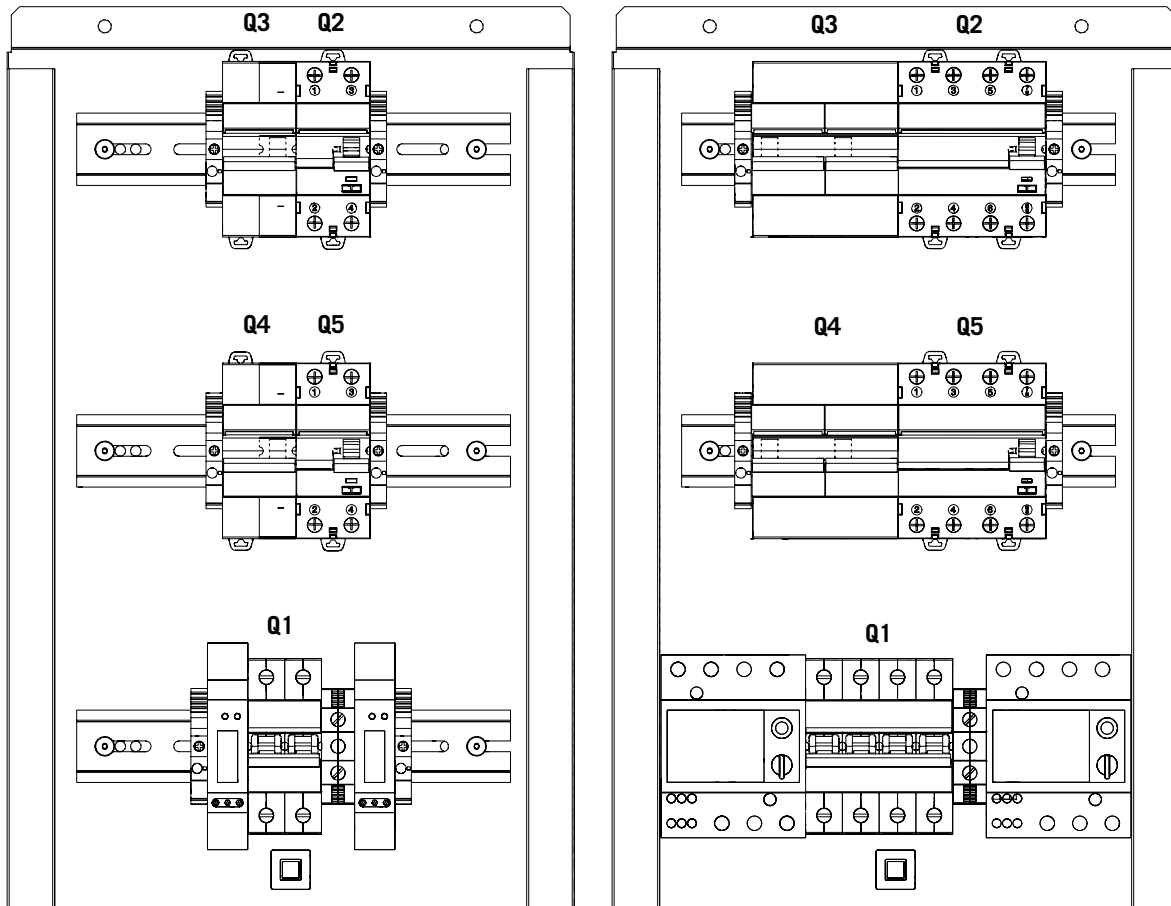
*Cavo Tipo 2*

## 2.5. Protezioni

A seconda del modello, la stazione di ricarica può avere diverse protezioni, come quelle descritte di seguito.

### ⚠ ATTENZIONE

Nei modelli senza protezioni (FS3NN / FW3NN), queste devono essere installate a monte del caricabatterie in modo che ogni punto di collegamento sia alimentato individualmente da un circuito protetto da un dispositivo di protezione da sovracorrente e da un dispositivo differenziale residuo.

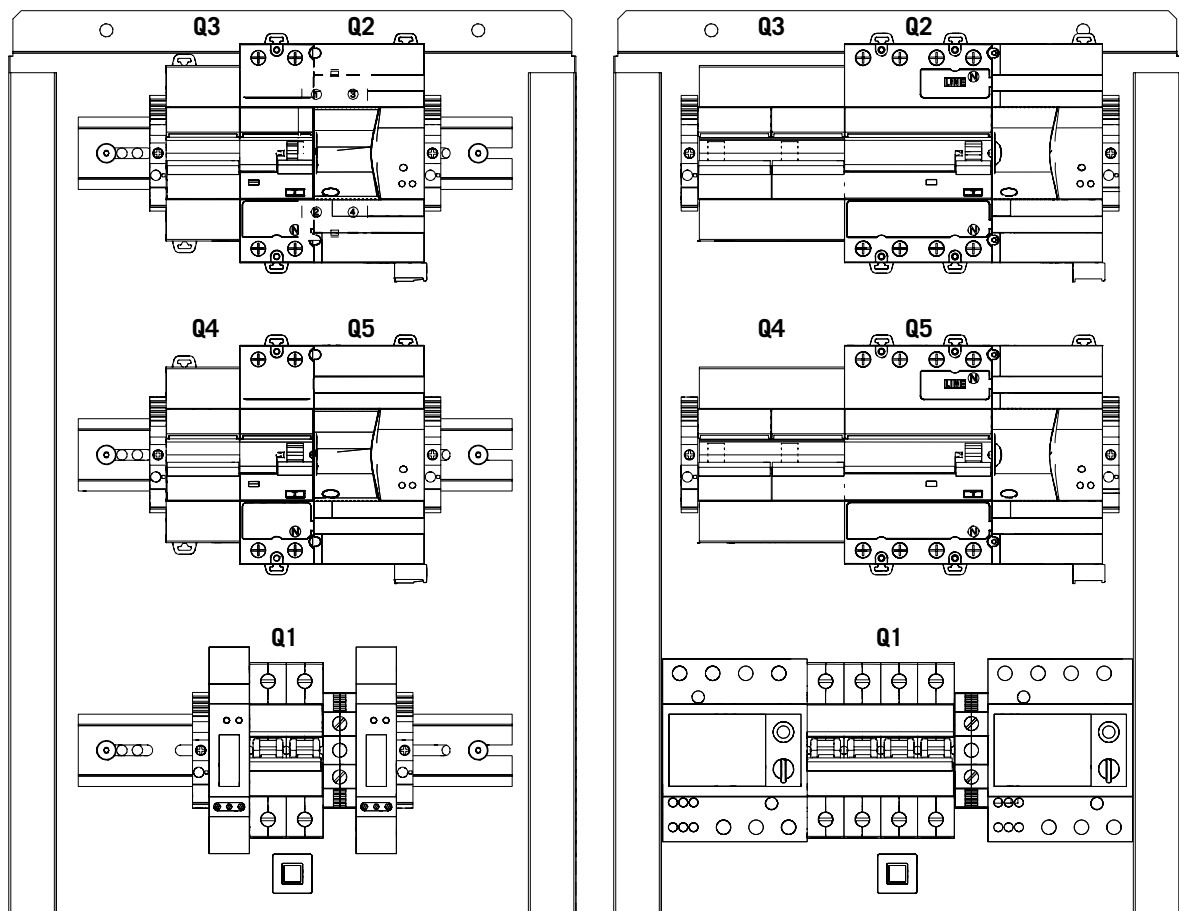


*FS1MW / FW1MW (monofase con protezioni manuali e wattmetri)*

*FS3MW / FW3MW (trifase con protezioni manuali e wattmetri)*

Per entrambi i casi:

- Q1: Sezionatore principale 80 A
- Q2, Q5: Interruttore differenziale 30 mA tipo A
- Q3, Q4: Interruttore magnetotermico curva C
- Q2 e Q3 proteggono la presa di corrente sinistra
- Q4 e Q5 proteggono la presa di corrente destra



*FS1AW / FW1AW (monofase con protezioni, differenziale con riarmo automatico e wattmetri)*

*FS3AW / FW3AW (trifase con protezioni, differenziale con riarmo automatico e wattmetri)*

Per entrambi i casi:

- Q1: Sezionatore principale 80 A
- Q2, Q5: Interruttore differenziale 30 mA tipo A
- Q3, Q4: Interruttore magnetotermico curva C
- Q2 e Q3 proteggono la presa di corrente sinistra
- Q4 e Q5 proteggono la presa di corrente destra

## 2.6. Requisiti EMC

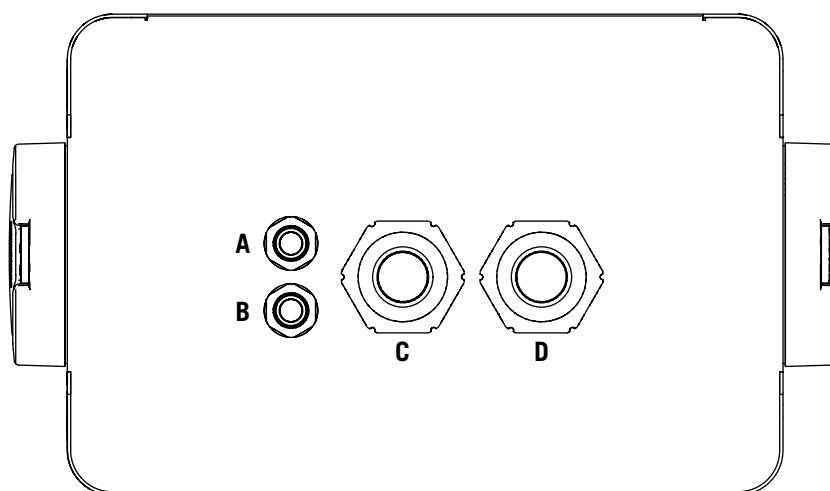
Queste stazioni di ricarica sono dotate degli elementi filtranti necessari per l'adempimento dei requisiti EMC per applicazioni domestiche, allo scopo di evitare radiodisturbi in altri dispositivi esterni all'impianto.

## 2.7. Accessi del cablaggio

Nella parte inferiore della stazioni ci sono dei pressacavi per il corretto passaggio dei cavi all'interno della stazione.

## 2.7.1. INGEREV FUSION Street

Sezione inferiore



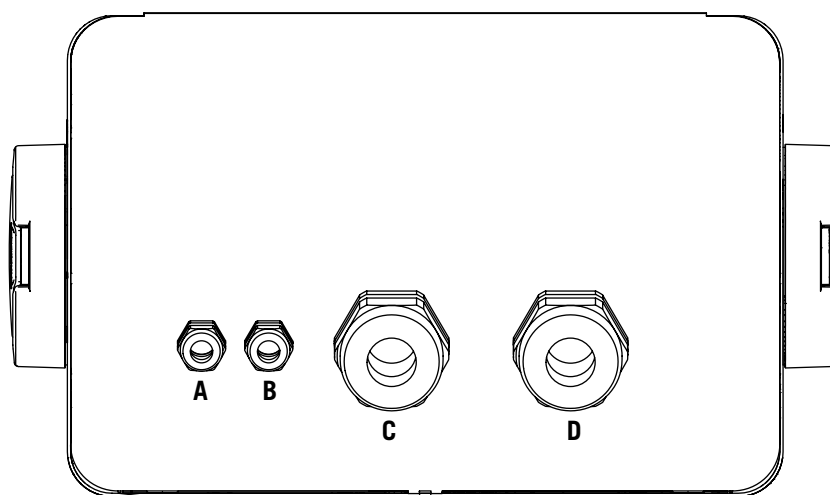
- |   |   |
|---|---|
| <p>A Ingresso delle comunicazioni. PG16, diametro del cavo ammesso 4 ~ 10 mm</p> <p>B Uscita delle comunicazioni. PG16, diametro del cavo ammesso 4 ~ 10 mm</p> | <p>C Ingresso alimentazione n. 1 PG40, diametro del cavo ammesso 16 ~ 28 mm.</p> <p>D Ingresso alimentazione n. 2 PG40, diametro del cavo ammesso 16 ~ 28 mm.</p> |
|---|---|

### **i** INFORMAZIONI

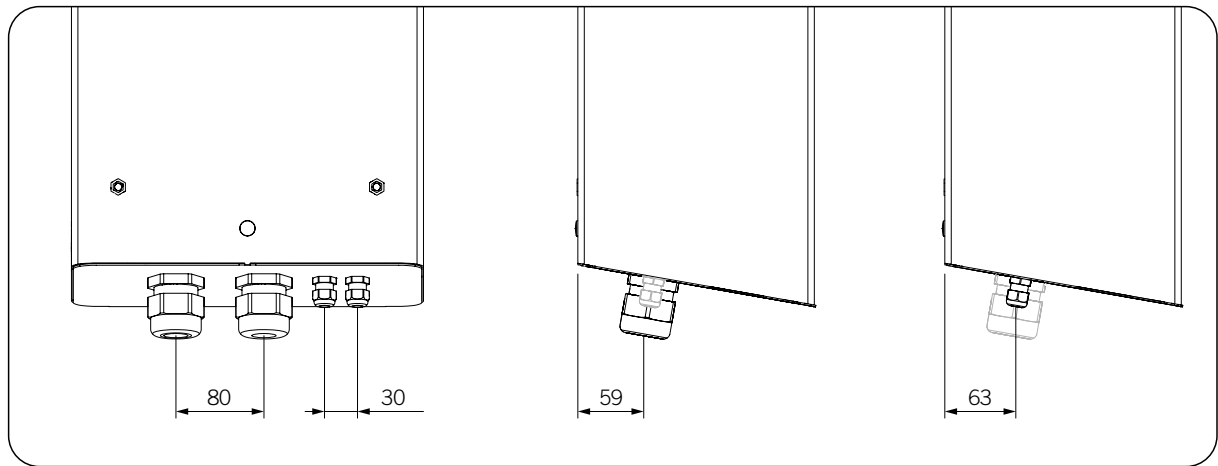
Nelle stazioni di ricarica a terra INGEREV FUSION Street, è preferibile inserire il cablaggio attraverso le entrate che si indicano in questa sezione, per farlo è possibile smontare la base metallica su cui sono installati i passacavi e disporre di maggior spazio per l'ingresso dei cavi.

## 2.7.2. INGEREV FUSION Wall

Sezione inferiore



- |   |   |
|---|---|
| <p>A Ingresso delle comunicazioni. PG16, diametro del cavo ammesso 4 ~ 10 mm</p> <p>B Uscita delle comunicazioni. PG16, diametro del cavo ammesso 4 ~ 10 mm</p> | <p>C Ingresso alimentazione n. 1 PG40, diametro del cavo ammesso 16 ~ 28 mm.</p> <p>D Ingresso alimentazione n. 2 PG40, diametro del cavo ammesso 16 ~ 28 mm.</p> |
|---|---|



EN  
ES  
FR  
IT  
PT

## 3. Ricevimento del dispositivo e stoccaggio

### 3.1. Ricevimento

Conservare il dispositivo imballato fino all'installazione.

### 3.2. Identificazione del dispositivo

Il numero di serie del dispositivo lo identifica in modo inequivocabile. In qualsiasi comunicazione con Ingeteam si deve fare riferimento a questo numero.

Il numero di serie del dispositivo è indicato anche sulla targhetta che riporta le caratteristiche del dispositivo stesso.

### 3.3. Danni durante il trasporto

Se il dispositivo ha subito danni durante il trasporto:

1. Non procedere all'installazione.
2. Notificare immediatamente il fatto al proprio rivenditore entro cinque giorni dal ricevimento del dispositivo.

Se fosse necessario restituire il dispositivo al costruttore, si dovrà usare l'imballaggio originale.

### 3.4. Stoccaggio

#### **ATTENZIONE**

L'inosservanza delle istruzioni fornite in questa sezione può provocare danni al dispositivo.

Ingeteam declina qualsiasi responsabilità per danni derivanti dall'inosservanza delle presenti istruzioni.

Se il dispositivo non viene installato immediatamente dopo il ricevimento, per evitarne il deterioramento occorre procedere come indicato di seguito:

- Il dispositivo deve essere stoccato nel suo imballo originale.
- Mantenere pulito il dispositivo (eliminare polvere, trucioli, grasso, ecc.), ed evitare la presenza di roditori.
- Proteggerlo da schizzi d'acqua, scintille di saldatura, ecc.
- Coprire il dispositivo con un materiale protettivo traspirante per evitare la condensa provocata dall'umidità ambientale.
- I dispositivi stoccati non devono essere sottoposti a condizioni climatiche diverse rispetto a quelle indicate nella sezione "2.3. Caratteristiche".
- È molto importante proteggere l'impianto da prodotti chimici corrosivi e dagli ambienti salini.
- Non stoccare il dispositivo sottoponendolo a intemperie.

### 3.5. Conservazione

Per la corretta conservazione dei dispositivi, non rimuovere l'imballaggio originale fino al momento dell'installazione.

In caso di stoccaggio prolungato si consiglia di riporre i dispositivi in un luogo asciutto evitando, per quanto possibile, bruschi sbalzi di temperatura.

Il deterioramento dell'imballaggio (tagli, fori, ecc.) impedisce una corretta conservazione dei dispositivi prima dell'installazione. Ingeteam declina ogni responsabilità in caso di mancato rispetto di questa condizione.

## 4. Movimentazione del dispositivo

Durante il trasporto, il dispositivo deve essere protetto da urti meccanici, vibrazioni, schizzi d'acqua (pioggia) e da qualsiasi altro prodotto o situazione in grado di danneggiarlo o alterarne il comportamento. Il mancato rispetto di queste istruzioni può provocare la decadenza della garanzia del prodotto, senza che ciò comporti alcuna responsabilità da parte di Ingeteam.

### 4.1. Trasporto

#### **ATTENZIONE**

È assolutamente vietato trasportare o sollevare l'apparecchiatura tirando i tubi di carico.

#### **Movimentazione con transpallet**

Devono essere rispettate almeno le seguenti indicazioni:

1. Depositare le stazioni imballate e in posizione centrale rispetto alle forche.
2. Sistemarle il più vicino possibile all'attacco delle forche al montante.
3. In ogni caso, rispettare le istruzioni del manuale d'uso del transpallet.

#### **Movimentazione con carrello elevatore**

Devono essere rispettate almeno le seguenti indicazioni:

1. Depositare le stazioni imballate e in posizione centrale rispetto alle forche.
2. Sistemarle il più vicino possibile all'attacco delle forche al montante.
3. Controllare che le forche siano perfettamente allineate, per evitare possibili ribaltamenti del dispositivo.
4. In ogni caso, rispettare le istruzioni del manuale d'uso del carrello.

Disimballare la stazione di ricarica solo al momento dell'installazione, dopo averla sistemata nella posizione di destinazione.

In questo momento è possibile trasportarlo verticalmente senza l'imballaggio, ma solo per una breve distanza.

#### **Movimentazione del dispositivo disimballato**

Devono essere rispettate almeno le seguenti indicazioni:

1. Seguire i consigli ergonomici necessari per sollevare pesi.
2. Non lasciare il dispositivo finché non è perfettamente fissato o posizionato.
3. Seguire le indicazioni di un'altra persona che faccia da guida nei movimenti da eseguire.

### 4.2. Disimballaggio

La corretta movimentazione delle stazioni di ricarica è di vitale importanza per:

- Non danneggiare l'imballaggio che consente di mantenerli in condizioni ottimali, dalla spedizione al momento in cui vengono installati.
- Evitare colpi o cadute delle stazioni meccaniche dato che possono deteriorarne le caratteristiche meccaniche.
- Evitare, per quanto possibile, le vibrazioni, che potrebbero provocare un successivo funzionamento anomalo.
- Disimballare la colonnina in posizione orizzontale.

In caso si rilevino delle anomalie contattare immediatamente Ingeteam.

#### **Smaltimento dell'imballaggio**

L'imballaggio può essere consegnato a un gestore autorizzato di rifiuti non pericolosi.

In ogni modo, la destinazione di ogni parte dell'imballaggio sarà:

- Plastica (polistirolo, borsa e fogli di plastica a bolle): relativo contenitore.
- Cartone: relativo contenitore.

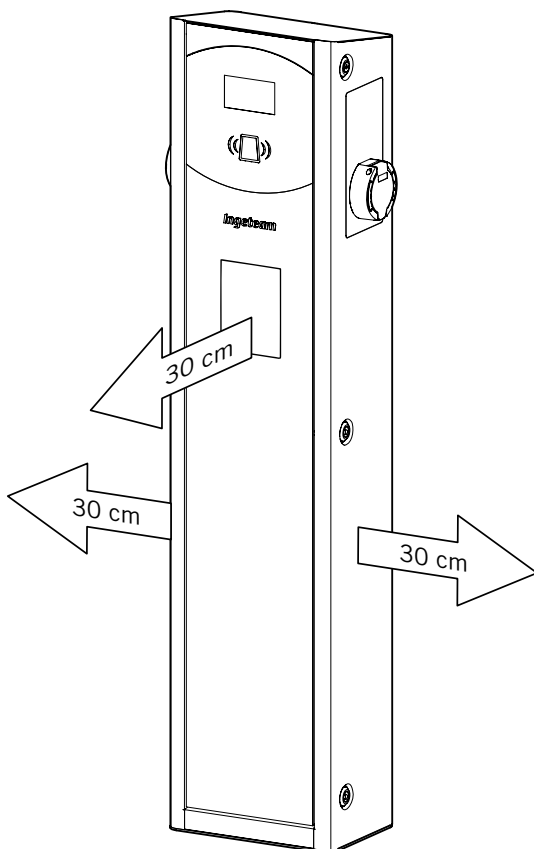


## 5. Preparazione per l'installazione del dispositivo

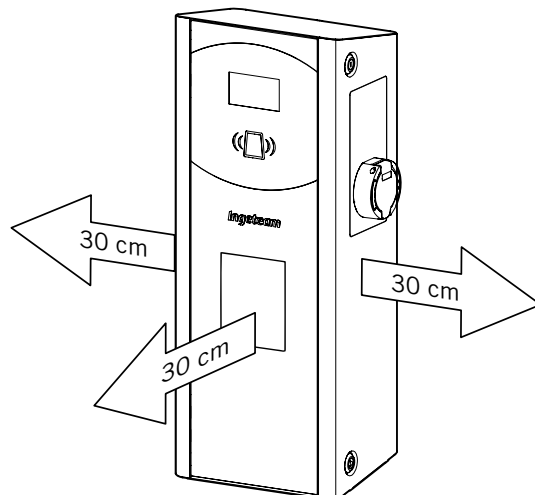
Per decidere l'ubicazione del dispositivo e programmarne l'installazione bisogna seguire una serie di indicazioni dovute alle caratteristiche del dispositivo stesso.

### 5.1. Ambiente

- Questi dispositivi possono essere installati in interni ed esterni.
- Collocare i dispositivi in un luogo accessibile per gli interventi di installazione e manutenzione, che ne consenta l'uso e renda possibile la lettura dei LED indicatori.
- Evitare ambienti corrosivi che possono influenzare il corretto funzionamento del dispositivo.
- Non lasciare oggetti sulla colonnina o appoggiati ai lati della stessa.
- Le distanze minime indicate qui di seguito devono essere mantenute libere da ostacoli:



INGEREV FUSION Street



INGEREV FUSION Wall

### 5.2. Condizioni ambientali

#### ⚠ ATTENZIONE

Ingeteam non garantisce il corretto funzionamento del dispositivo se non sono soddisfatte le condizioni operative per le quali è stato progettato.

Evitare ambienti corrosivi che possono influenzare il corretto funzionamento del dispositivo. Non installare il dispositivo in zone ATEX.

Per scegliere l'ubicazione più adatta, occorre tenere in considerazione le condizioni ambientali di funzionamento del dispositivo indicate nella sezione "2.3. Caratteristiche".

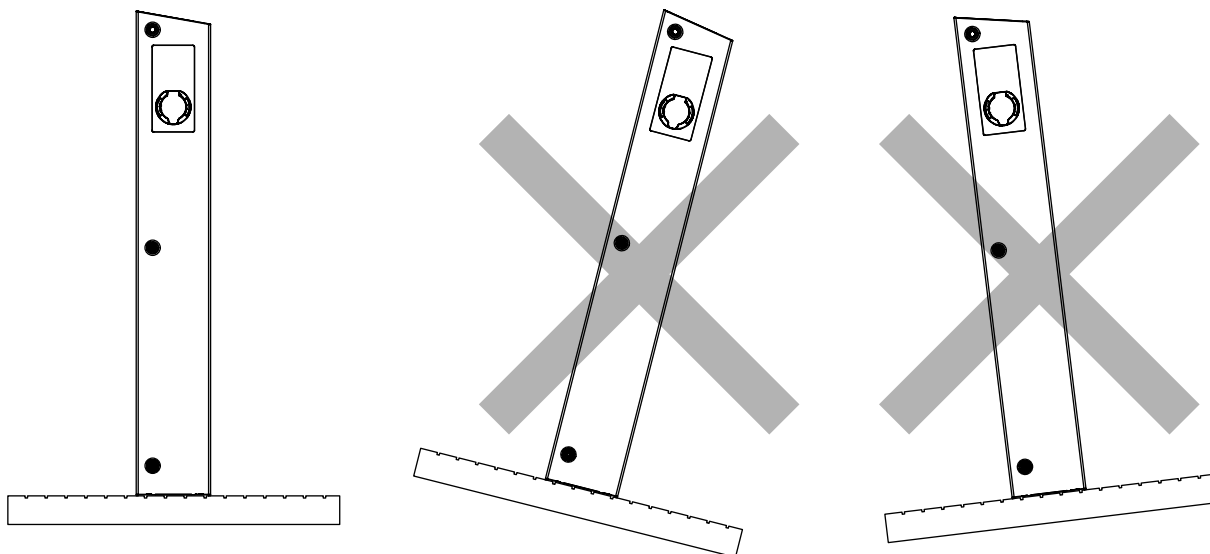
È opportuno ricordare che, occasionalmente, si potrebbe produrre una condensa moderata come conseguenza degli sbalzi di temperatura. Perciò, oltre alla protezione di cui dispone l'apparechio, è necessario monitorare le stazioni di ricarica messe in servizio in luoghi in cui non sono soddisfatte tutte le condizioni descritte in precedenza.

Non applicare mai tensione al dispositivo in presenza di condensa.

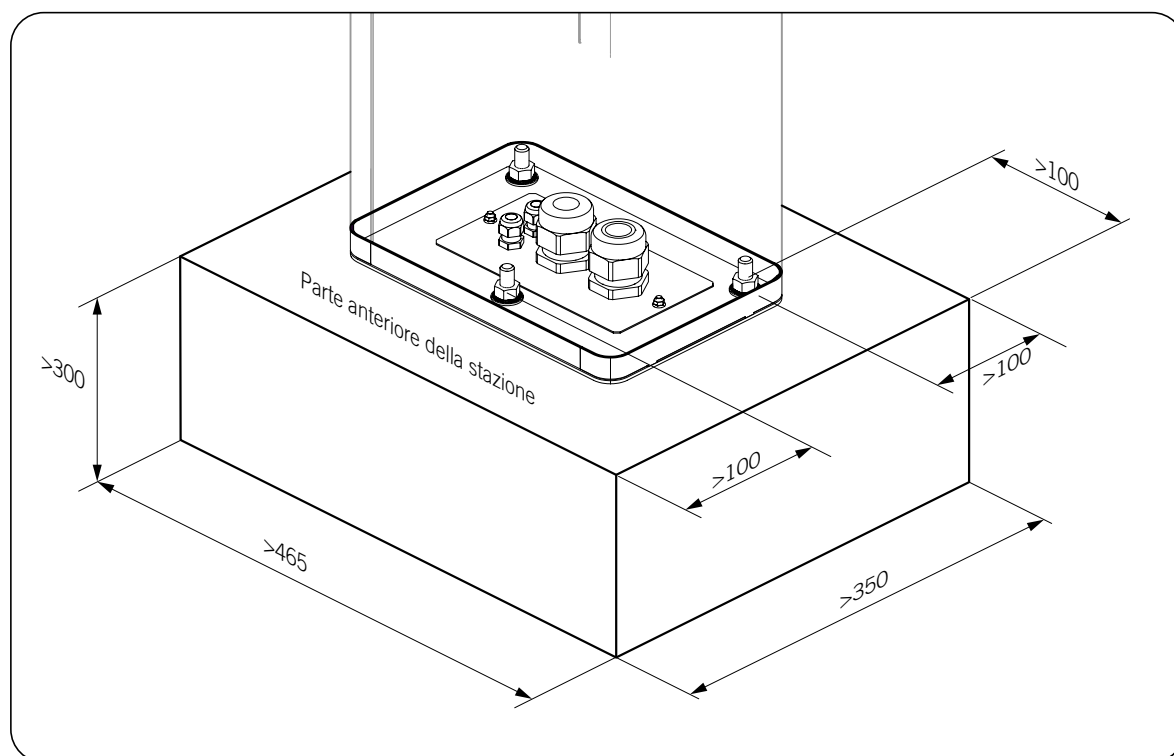
### 5.3. Superficie di appoggio e fissaggio

#### INGEREV FUSION Street

Per l'installazione delle stazioni INGEREV FUSION Street bisogna disporre di una superficie regolare e solida che permetta di fissarle a terra in modo perfettamente verticale.



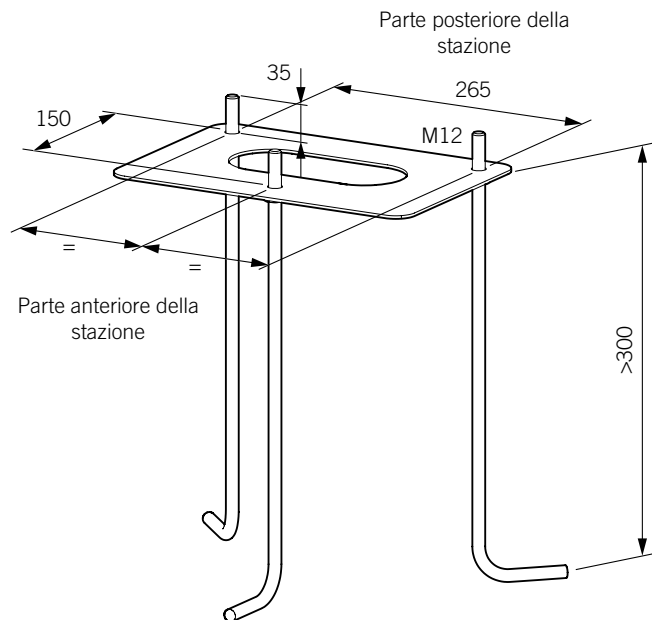
Per il calcolo della base minima di calcestruzzo devono essere presi in considerazione i seguenti dati.



- Distanza minima dei bulloni di ancoraggio dai bordi della base in calcestruzzo: 100 mm.

- Spessore minimo del basamento in calcestruzzo: 100 mm.
- Lunghezza minima dei bulloni di ancoraggio: 300 mm.
- Resistenza minima alla trazione dei bulloni: 7,7 kN. Coefficiente di sicurezza 1,5.
- Resistenza minima al taglio dei bulloni: 9,3 kN. Coefficiente di sicurezza 1,25.

Le misure per l'ancoraggio sono elencate di seguito.



### INGEREV FUSION Wall

Le stazioni di ricarica INGEREV FUSION Wall devono essere installate su una superficie regolare, solida e perfettamente verticale e rispettare le specifiche della normativa applicabile al luogo di installazione.

## 6. Installazione

Prima di procedere all'installazione del dispositivo, occorre rimuovere l'imballaggio, prestando particolare attenzione a non danneggiare l'involucro (v. paragrafo "4.2. Disimballaggio").

Verificare che non ci sia condensa all'interno dell'imballaggio. In caso contrario, installare il dispositivo solo quando sarà completamente asciutto.

### ⚠ ATTENZIONE

Tutte le operazioni di installazione devono essere eseguite rispettando la direttiva in vigore.

Tutte le operazioni che prevedono la movimentazione di pesi importanti dovranno essere eseguite utilizzando adeguate attrezzature meccaniche (gru, paranchi, ecc.).

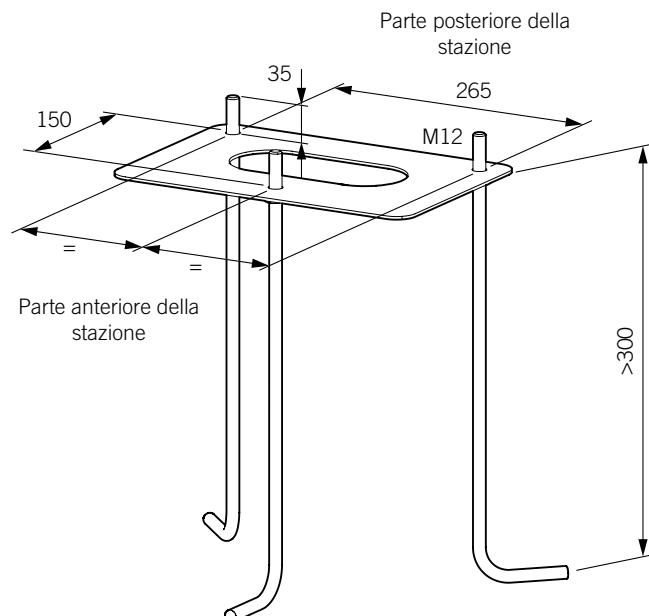
### 6.1. Requisiti generali di installazione

- Il dispositivo deve essere installato in un ambiente adatto, che soddisfi le indicazioni descritte nel capitolo "5. Preparazione per l'installazione del dispositivo". Inoltre, gli elementi utilizzati nel resto dell'installazione devono essere compatibili con il dispositivo e conformi alla legislazione applicabile.
- La ventilazione e lo spazio di lavoro devono essere adeguati agli interventi di manutenzione secondo la direttiva in vigore.
- I dispositivi esterni di connessione devono essere adatti e rispettare la distanza stabilita dalla direttiva in vigore.
- La sezione dei cavi di allacciamento deve essere adeguata all'intensità di corrente massima.
- Assicurarsi che le entrate e uscite d'aria siano libere, che non ci siano elementi esterni che possano impedire la corretta ventilazione del dispositivo (v. paragrafo "5.1. Ambiente").

### 6.2. INGEREV FUSION Street

Per installare la stazione INGEREV FUSION Street, seguire le istruzioni riportate di seguito:

1. Posizionare l'ancoraggio a terra, rispettando le seguenti misure.



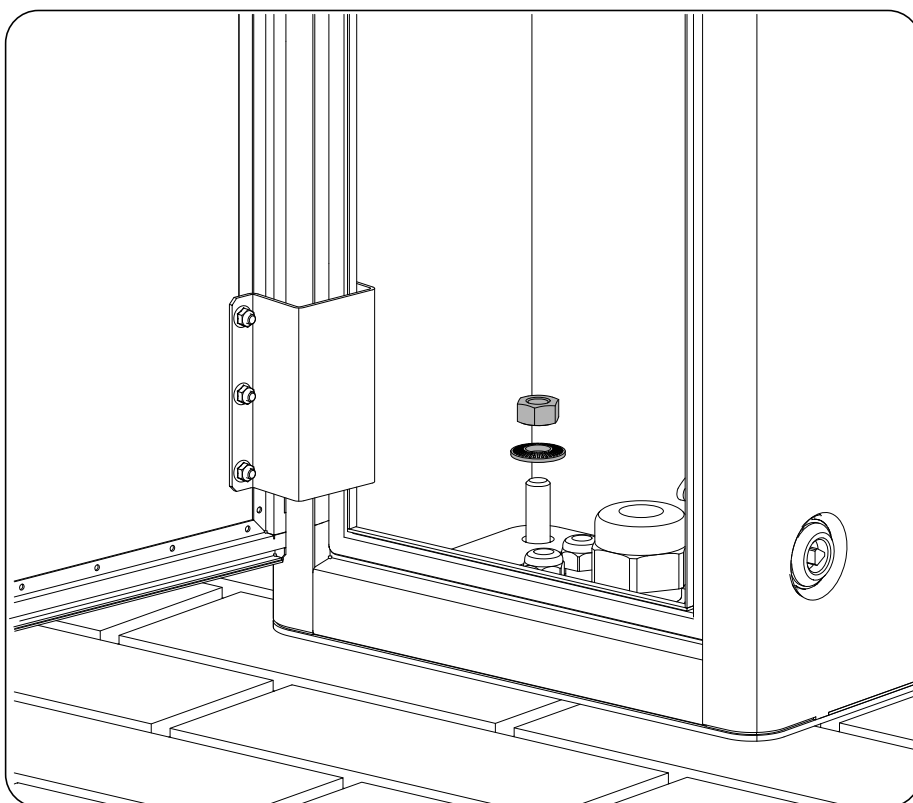
2. Aprire le serrature laterali della stazione per accedere all'interno. La serratura superiore è azionata a chiave.

3. Far passare i cavi attraverso i passacavi inferiori facendo attenzione a non tenderli troppo e assicurandosi che non rimangano tesi una volta collegati (v. paragrafo "2.7. Accessi del cablaggio" e "8.3. Procedura di collegamento dell'alimentazione elettrica").

**i INFORMAZIONI**

È preferibile che i cavi passino attraverso i pressacavi, tuttavia è possibile svitare la base su cui sono montati se è necessario più spazio per il cablaggio dell'allacciamento.

4. Fissare a terra la stazione usando le tre viti e le rondelle fornite in dotazione.



5. Verificare che la stazione sia correttamente fissata.
6. Rimuovere la pellicola protettiva dall'involucro.

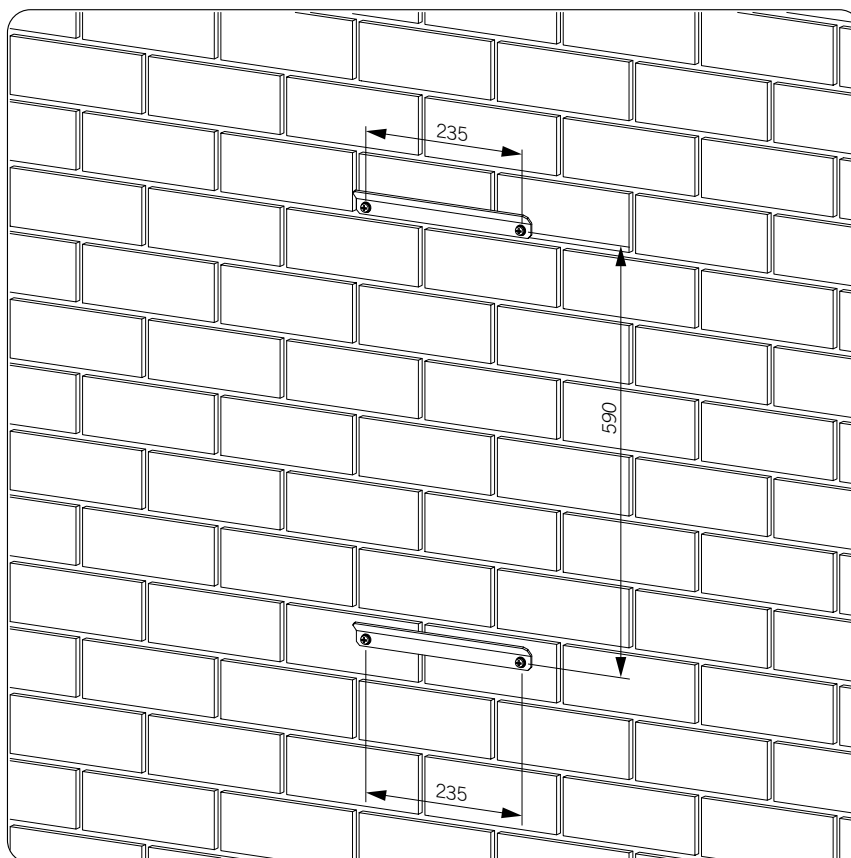
Dopo aver installato correttamente il dispositivo avviare la procedura di collegamento. Eseguire i collegamenti nel seguente ordine:

1. Collegamento degli accessori (opzionale).
2. Collegamento AC.

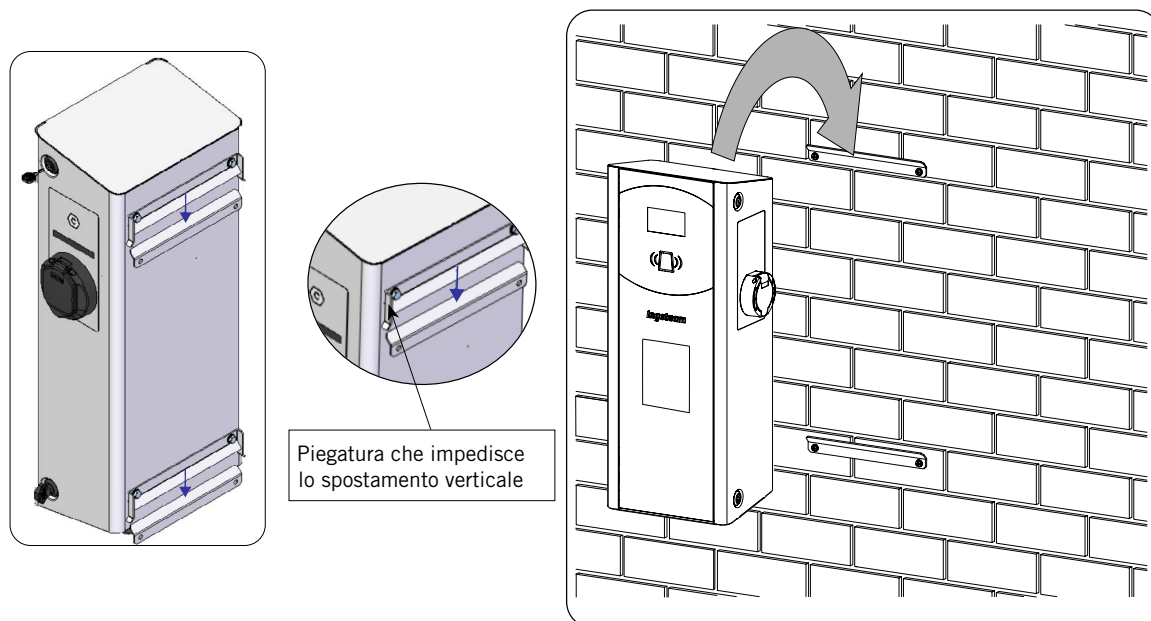
### 6.3. INGEREV FUSION Wall

Per installare la stazione INGEREV FUSION Wall, seguire le istruzioni riportate di seguito:

1. Avvitare le piastre alla parete. Le due piastre sono uguali.



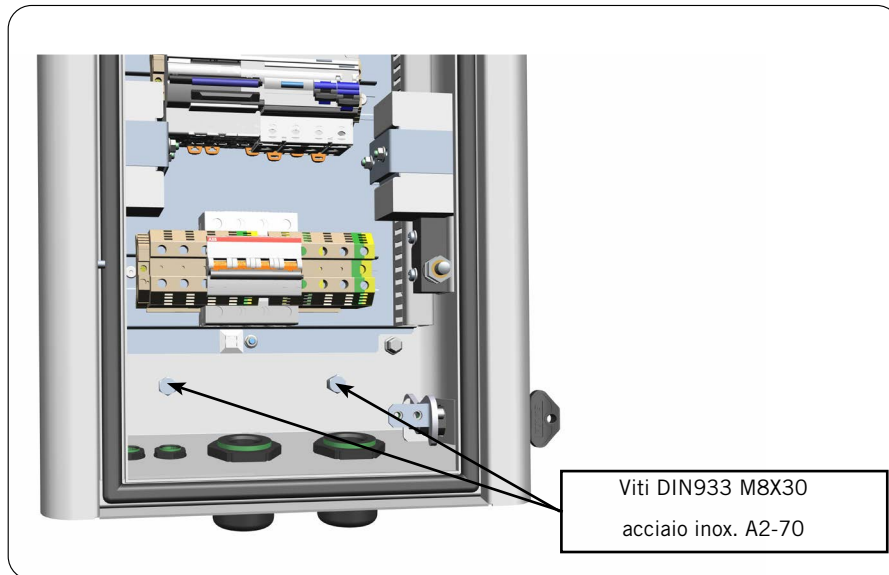
2. Appendere la stazione di ricarica sui supporti.



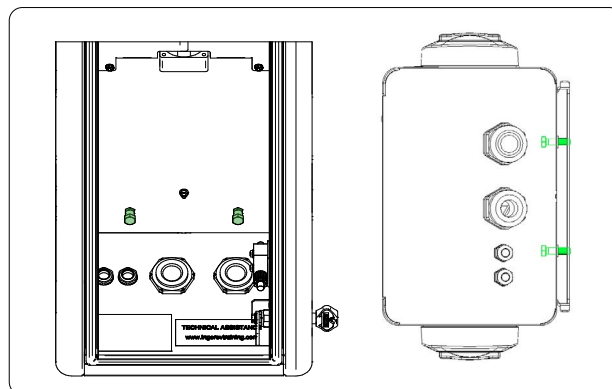
La stazione deve essere appesa alla parete utilizzando le staffe in dotazione, che impediscono lo spostamento laterale. Tuttavia, la stazione può essere spostata verticalmente e può essere rimossa tirandola verso l'alto.

Para fijar el equipo verticalmente se atornillará al soporte de la siguiente forma:

3. Aprire le serrature laterali della stazione per accedere all'interno. La serratura superiore è azionata a chiave.
4. Inserire le viti nei dadi inseriti dell'involucro per evitare lo spostamento verticale:



5. Serrare le viti fino a quando non entrano in contatto con le piastre installate al punto 1.



6. Verificare che la stazione sia correttamente fissata.
7. Inserire i cavi facendoli passare dalle entrate della parte inferiore della stazione (v. paragrafo "2.7. Accessi del cablaggio" e "8.3. Procedura di collegamento dell'alimentazione elettrica").
8. Rimuovere la pellicola protettiva dall'involucro.

Dopo aver installato correttamente il dispositivo avviare la procedura di collegamento. Eseguire i collegamenti nel seguente ordine:

1. Collegamento degli accessori (opzionale).
2. Collegamento AC.

## 7. Collegamento degli accessori

Questo capitolo spiega la procedura da seguire per collegare gli accessori di serie e opzionali nel dispositivo.

Leggere attentamente le presenti istruzioni prima di avviare la procedura di connessione.

### 7.1. Indicazioni di sicurezza per il collegamento degli accessori

#### **⚠ PERICOLO**

Assicurarsi che il dispositivo si trovi in assenza di tensione prima di effettuare qualsiasi collegamento.

**Non alimentare** il dispositivo finché non siano state effettuate correttamente tutte le connessioni e non sia stato chiuso il dispositivo.

Utilizzare l'attrezzatura per la protezione individuale indicata in *"Dispositivi di protezione individuale (DPI)"*.

#### **⚠ ATTENZIONE**

Ingeteam declina ogni responsabilità per i danni causati da un collegamento non corretto.

### 7.2. Comunicazione via Ethernet

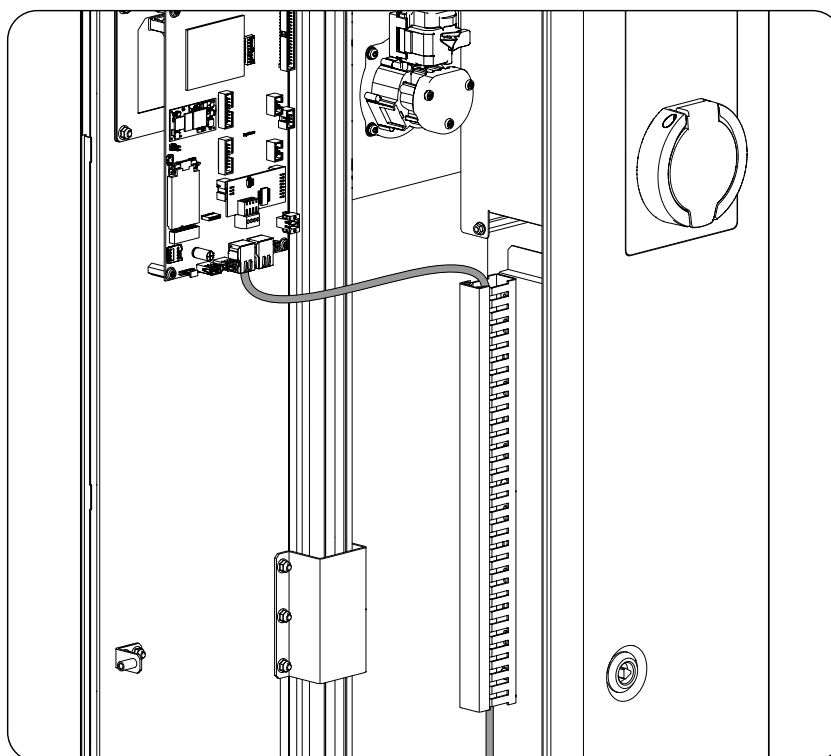
#### 7.2.1. Requisiti del cablaggio

Per la comunicazione Ethernet sono necessari cavi di diametro compreso tra 4 e 6 mm.

#### 7.2.2. Procedura di connessione

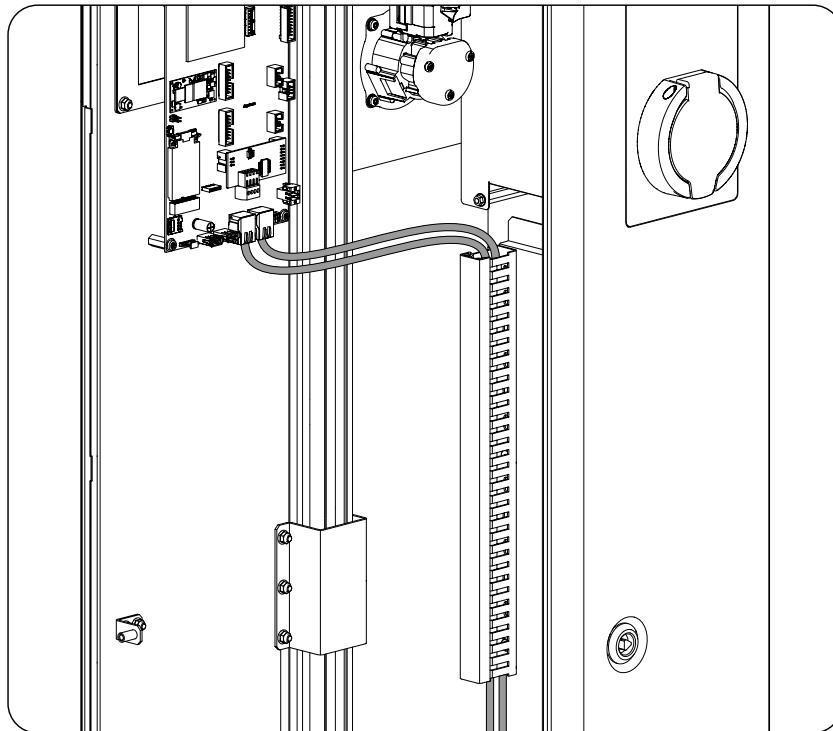
Per eseguire il collegamento, procedere come indicato di seguito:

1. Nell'area inferiore di ingresso dei cavi, inserire il cavo Ethernet attraverso il relativo pressacavo.
2. Far passare il cablaggio attraverso la canalina laterale e collegarlo a J17 o J18.





3. Per collegare una stazione all'altra, collegare a J17 o J18 (quale dei due sia rimasto libero)



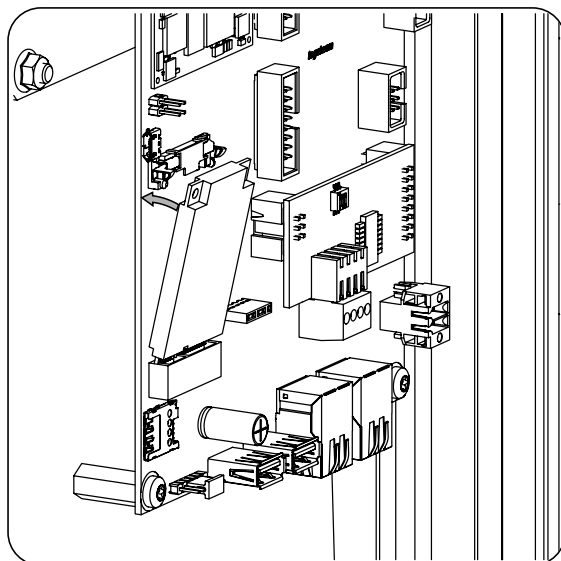
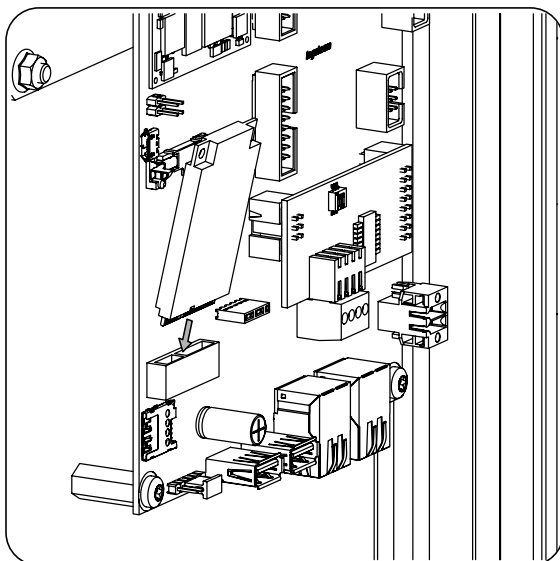
4. Serrare il pressacavo per assicurare che sia chiuso ermeticamente ed evitare che il cavo rimanga teso.

### 7.3. Comunicazione via 3G/4G (optional)

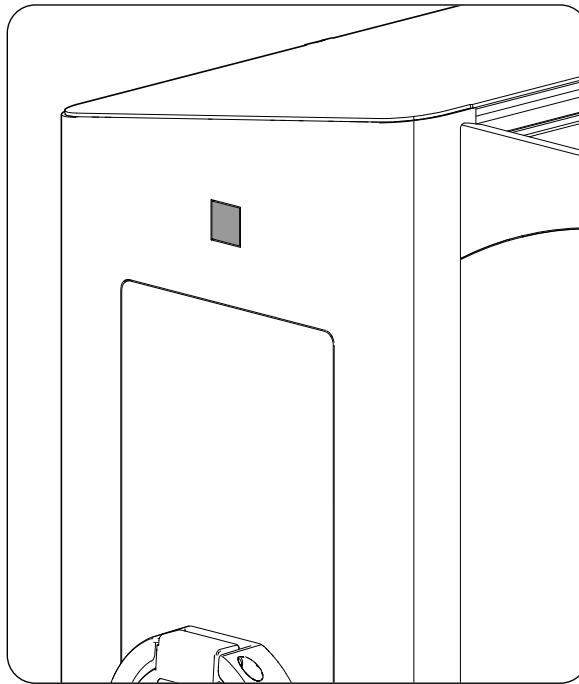
Per poter disporre di comunicazione 3G/4G nella stazione di ricarica seguire la procedura di connessione che si indica qui di seguito.

#### 7.3.1. Procedura di connessione

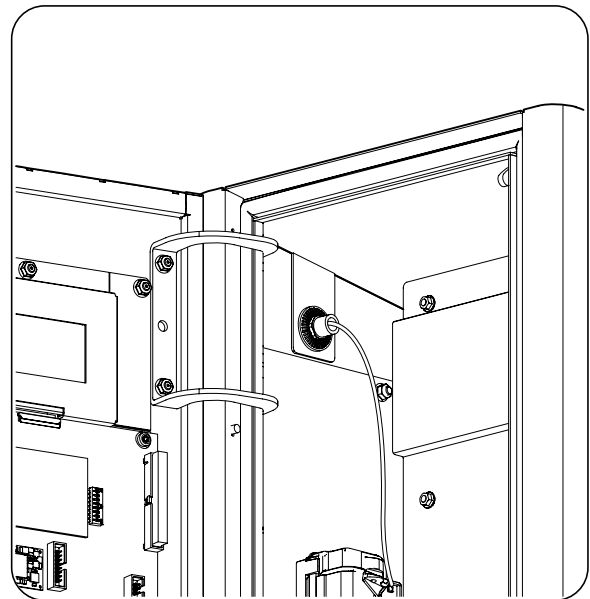
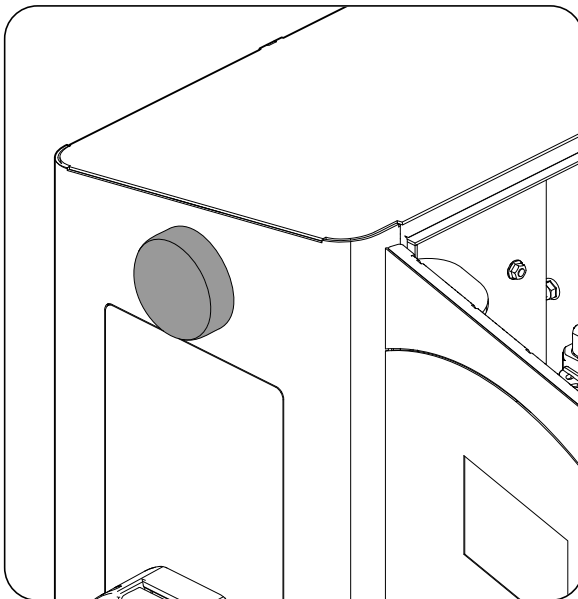
1. Installare il modem nella scheda di controllo situata nella parte posteriore dello sportello della stazione.



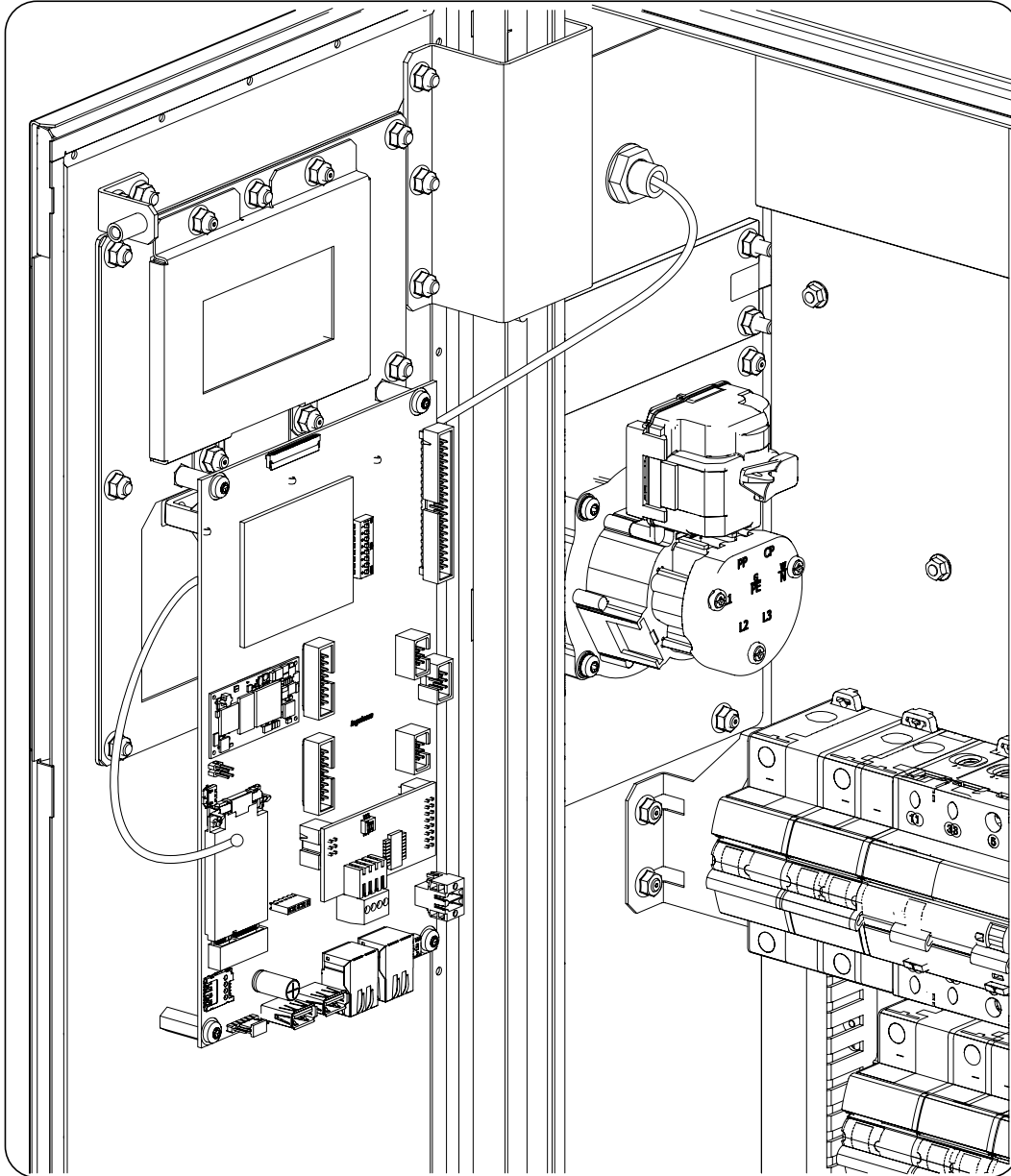
2. Sul lato sinistro della stazione, rimuovere il materiale pretagliato contrassegnato in grigio nella figura seguente.



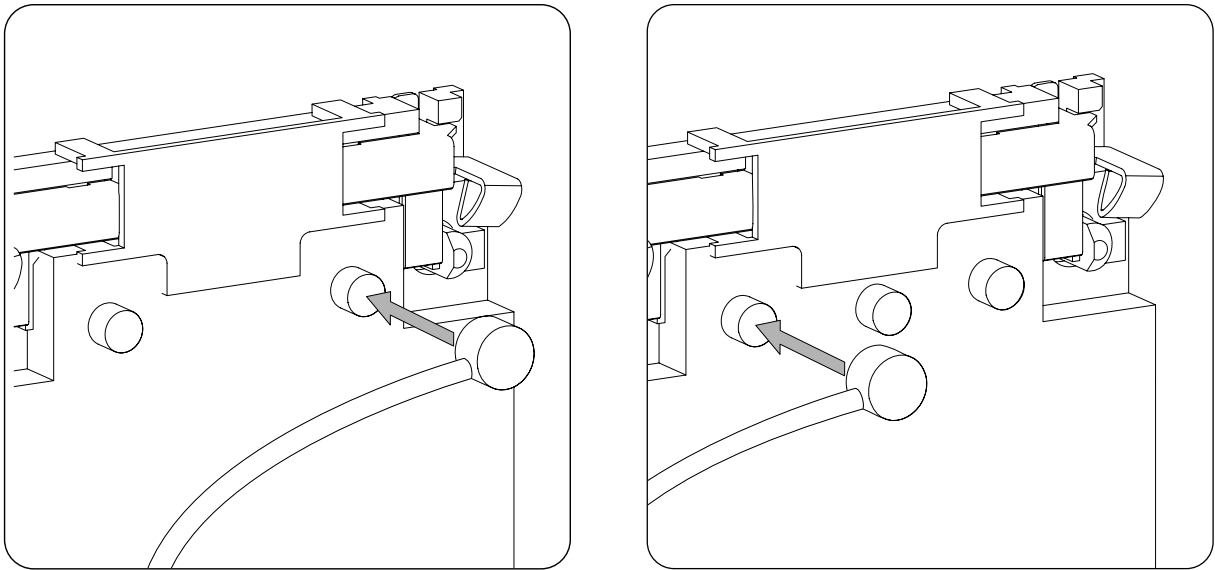
3. Installare l'antenna 3G/4G.



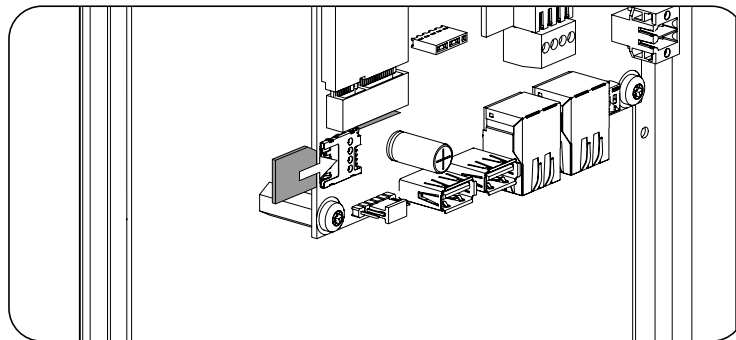
4. Far passare il cavo dell'antenna attraverso il fondo della scheda di controllo sullo sportello della stazione.



5. Collegare il cavo dell'antenna secondo il modello del modem installato.



6. Inserire la scheda MicroSim nello spazio apposito che si trova nella parte inferiore del modem.



7. Verificare che lo sportello si chiude correttamente e che non c'è tensione nel cavo dell'antenna.

## 8. Collegamento dell'alimentazione

In questo capitolo vengono indicati i requisiti e la procedura per collegare i cavi di alimentazione del dispositivo. Leggere attentamente le presenti istruzioni prima di avviare la procedura di connessione.

### INFORMAZIONI

Prima di operare sul dispositivo, consultare il capitolo *“Importanti condizioni di sicurezza”* e le seguenti indicazioni.

### 8.1. Indicazioni di sicurezza per il collegamento dei cavi di alimentazione

#### PERICOLO

Assicurarsi che il dispositivo si trovi in assenza di tensione prima di effettuare qualsiasi collegamento.

**Non alimentare** il dispositivo finché non siano state effettuate correttamente tutte le connessioni e non sia stato chiuso il dispositivo.

Utilizzare l'attrezzatura per la protezione individuale indicata in *“Dispositivi di protezione individuale (DPI)”*.

Durante il collegamento è importante collegare correttamente i cavi nei morsetti del dispositivo e non lasciare che siano accessibili parti del cablaggio che sono in tensione.

Rispettare la polarità dei cavi di alimentazione.

#### ATTENZIONE

Ingeteam declina ogni responsabilità per i danni causati da un collegamento non corretto.

### 8.2. Requisiti del cablaggio per il collegamento dei cavi di alimentazione

Per garantire la sicurezza delle persone, per il corretto funzionamento del dispositivo e per soddisfare la normativa in vigore, il dispositivo deve essere collegato alla messa a terra dell'impianto.

Se il caricatore e il punto di collegamento alla rete sono separati da una distanza che richiede l'uso di cavi con una sezione maggiore, è obbligatorio l'uso di una scatola di distribuzione esterna, vicina al caricatore, per effettuare questo cambio di sezione.

Il collegamento dell'alimentazione elettrica dovrà essere fatto con cavi monopolari. In totale saranno utilizzati 3 o 5 cavi a seconda che sia collegato un allacciamento monofase (fase, neutro e terra) o trifase (tre fasi, neutro e terra). Il materiale del conduttore può essere di rame o alluminio.

#### ATTENZIONE

In caso di utilizzo di cavi in alluminio, l'installatore dovrà applicare i mezzi necessari per evitare il formarsi di coppie galvaniche nel collegamento (come terminali bipolari, interfacce bimetalliche ecc.).

La corrente nominale del sezionatore o della morsettieria di collegamento, a seconda del modello, è di 80 A.

### INFORMAZIONI

Un'unità trifase può funzionare come unità monofase collegando una sola fase, neutro e terra, tenendo conto che la fase è collegata alla fase R dell'unità.

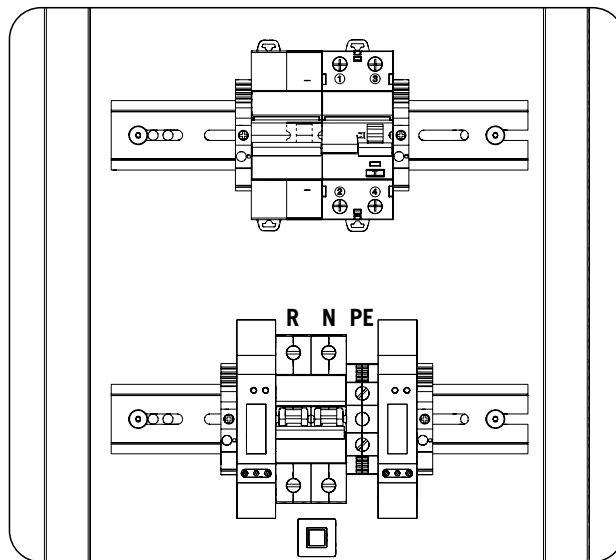
È responsabilità dell'installatore garantire che il cablaggio di terra sia delle dimensioni adeguate e soddisfi i requisiti della normativa in vigore.

### 8.3. Procedura di collegamento dell'alimentazione elettrica

1. Inserire il cavo tramite gli appositi passacavi nella parte inferiore della stazione di ricarica.

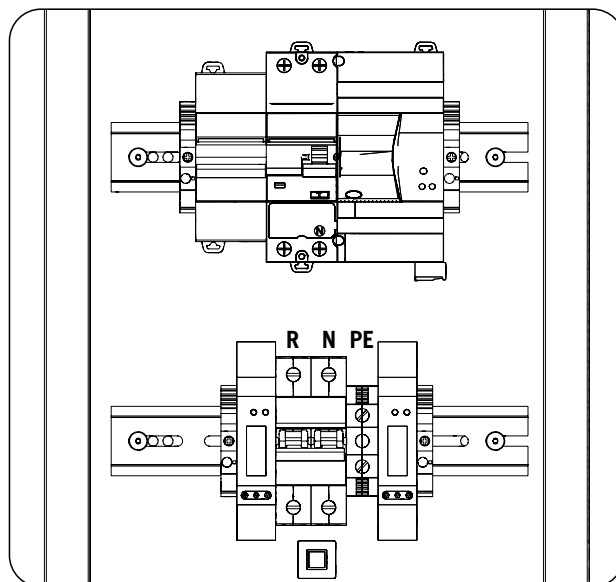
2. Eseguire il collegamento rispettando le polarità in base al tipo di dispositivo.

### FS1MW / FW1MW: Monofase con protezioni



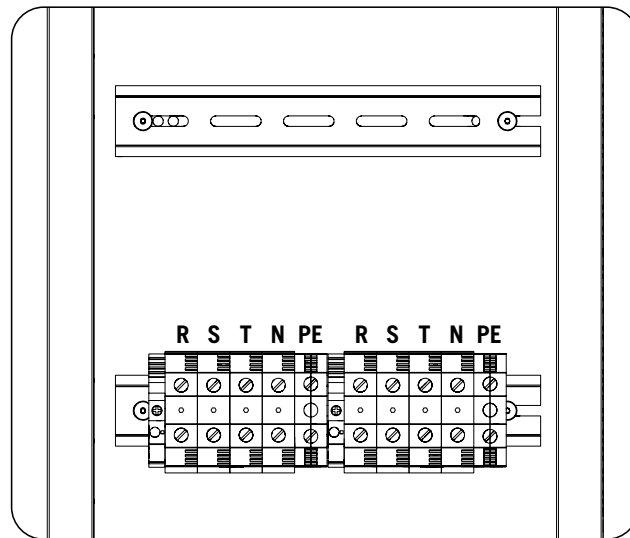
Specifiche per il collegamento			
Collegamento	Sezione dei cavi ammessi		Coppia di serraggio
	Cavi flessibili	Cavi rigidi	
R, N	6 ~ 70 mm <sup>2</sup>	6 ~ 50 mm <sup>2</sup>	2,5 Nm
PE	2,5 ~ 50 mm <sup>2</sup>	2,5 ~ 16 mm <sup>2</sup>	4 Nm

### FS1AW / FW1AW: Monofase con protezioni a riarmo automatico



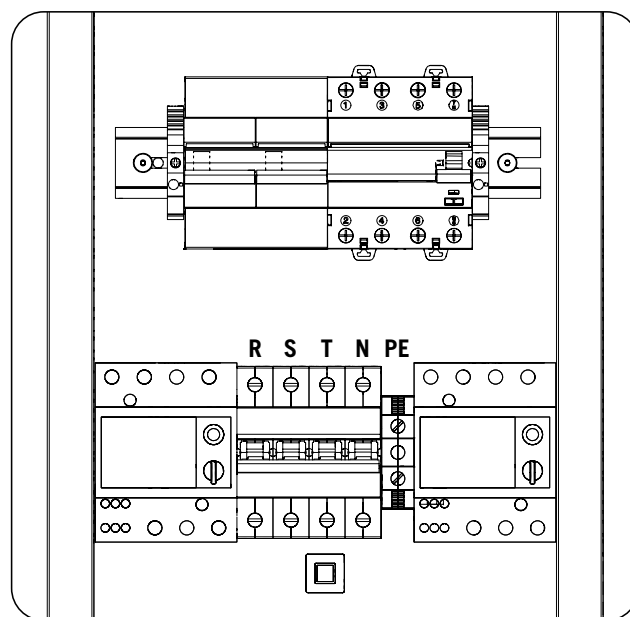
Specifiche per il collegamento			
Collegamento	Sezione dei cavi ammessi		Coppia di serraggio
	Cavi flessibili	Cavi rigidi	
R, N	6 ~ 70 mm <sup>2</sup>	6 ~ 50 mm <sup>2</sup>	2,5 Nm
PE	2,5 ~ 50 mm <sup>2</sup>	2,5 ~ 16 mm <sup>2</sup>	4 Nm

**FS3NN / FW3NN: Trifase senza protezioni**

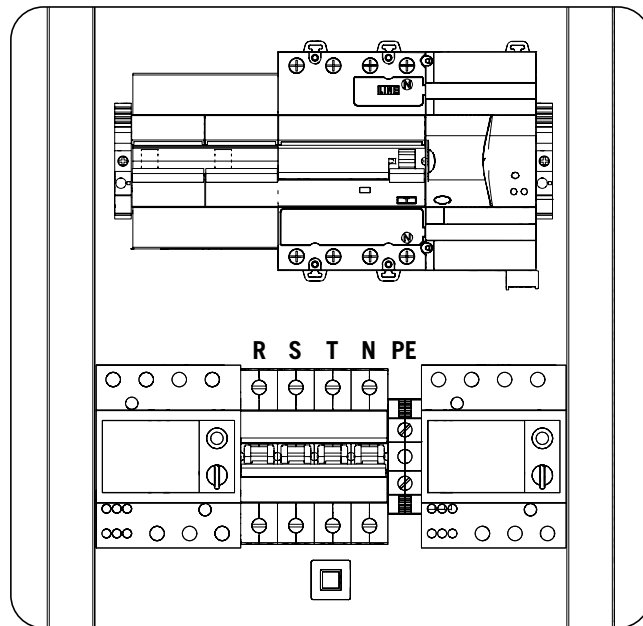


Specifiche per il collegamento			
Collegamento	Sezione dei cavi ammessi		Coppia di serraggio
	Cavi flessibili	Cavi rigidi	
R, S, T, N, PE	2,5 ~ 50 mm <sup>2</sup>	2,5 ~ 16 mm <sup>2</sup>	4 Nm

**FS3MW / FW3MW: Trifase con protezioni**



Specifiche per il collegamento			
Collegamento	Sezione dei cavi ammessi		Coppia di serraggio
	Cavi flessibili	Cavi rigidi	
R, S, T, N,	6 ~ 70 mm <sup>2</sup>	6 ~ 50 mm <sup>2</sup>	2,5 Nm
PE	2,5 ~ 50 mm <sup>2</sup>	2,5 ~ 16 mm <sup>2</sup>	4 Nm

**FS3AW / FW3AW: Trifase con protezioni a riarmo automatico**

Specifiche per il collegamento			
Collegamento	Sezione dei cavi ammessi		Coppia di serraggio
	Cavi flessibili	Cavi rigidi	
R, S, T, N,	6 ~ 70 mm <sup>2</sup>	6 ~ 50 mm <sup>2</sup>	2,5 Nm
PE	2,5 ~ 50 mm <sup>2</sup>	2,5 ~ 16 mm <sup>2</sup>	4 Nm

3. Verificare il corretto posizionamento della membrana passacavi e che il cavo non rimanga teso.



## 9. Primo collegamento alla rete elettrica

In questo capitolo si spiega la procedura per il primo collegamento del dispositivo alla rete.

Prima di cominciare controllare il dispositivo.

### 9.1. Revisione del dispositivo

Prima della messa in funzione, controllare che l'impianto sia in corretto stato.

Ogni impianto è diverso, a seconda delle sue caratteristiche, del paese in cui è situato o di altre condizioni particolari applicabili. In ogni caso, prima di procedere con la messa in servizio, è necessario verificare che l'impianto sia conforme alle leggi e alle direttive applicabili, e che sia terminata almeno la parte che deve essere messa in servizio.

#### 9.1.1. Ispezione

Prima del primo collegamento del caricatore alla rete occorre realizzare una revisione generale del dispositivo, che consiste principalmente in:

##### Controllo del cablaggio

- Verificare che i cavi siano correttamente fissati ai relativi connettori.
- Verificare che i cavi siano in buono stato e che, nell'area in cui si trovano, non vi siano elementi che li possano danneggiare, come fonti di calore intenso, oggetti taglienti che possano mozzarli o assetti che possano comportare un rischio di impatto o strattoni.

##### Controllo fissaggio del dispositivo

Verificare che il dispositivo sia fissato correttamente e che non vi sia pericolo di caduta.

#### 9.1.2. Chiusura ermetica del dispositivo

Nelle attività di installazione accertarsi che le operazioni per la connessione del dispositivo non ne abbiano alterato il grado di tenuta.

Controllare che i connettori siano correttamente regolati e che i passacavi siano chiusi in modo adeguato.

## 10. Configurazione

Per effettuare la prima configurazione del dispositivo è necessario stabilire un collegamento locale. Una volta effettuata la prima configurazione è possibile stabilire la connessione in remoto. Di seguito si descrivono le procedure per entrambe le opzioni.

La configurazione avverrà tramite l'applicazione INGEREV WEB Manager.

### 10.1. Connessione locale

Per stabilire una connessione locale è necessario che caricatore e PC siano collegati alla medesima rete di comunicazione.

La connessione locale può avvenire tramite Ethernet o Wi-Fi.

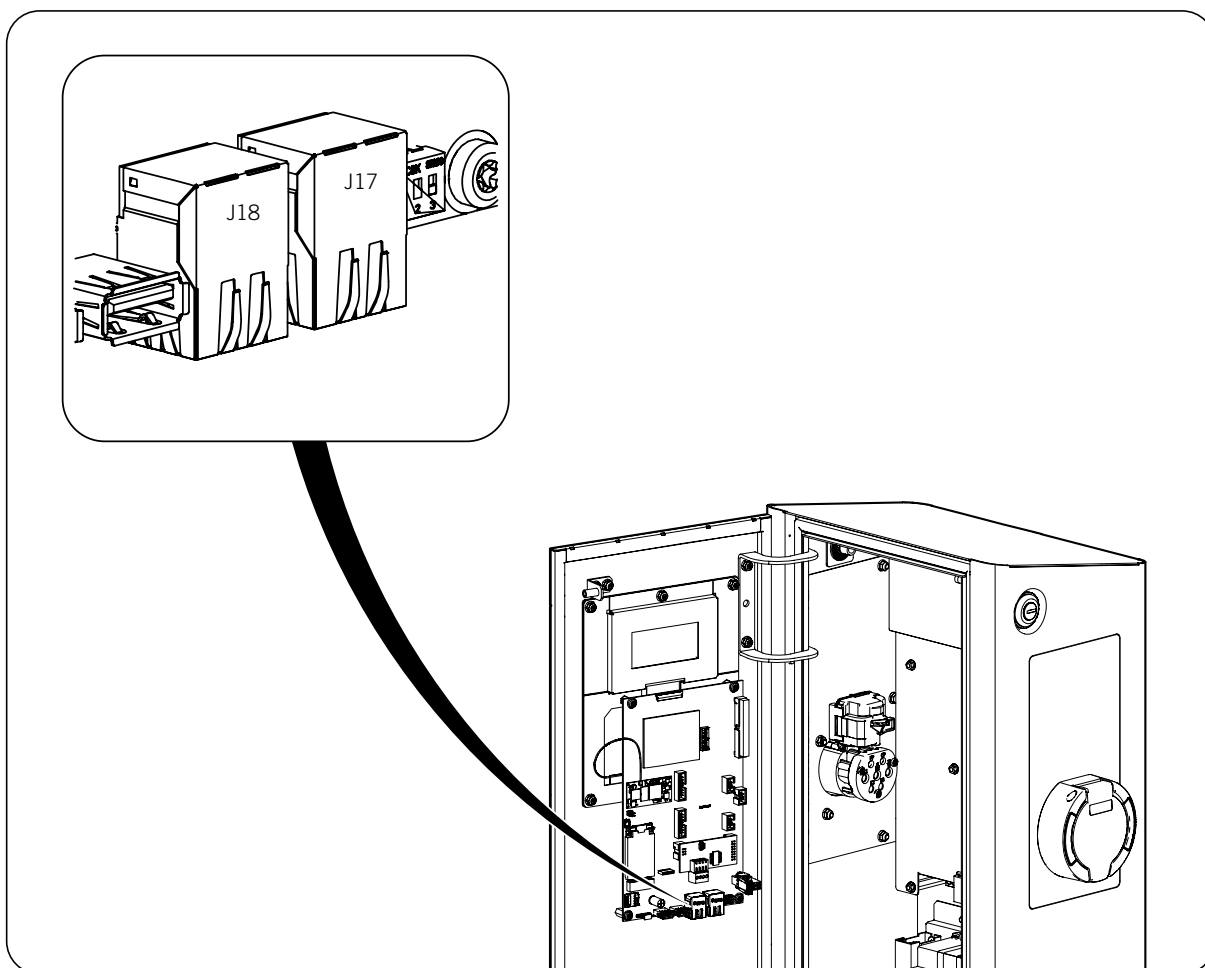
#### 10.1.1. Connessione locale tramite Ethernet

##### **⚠ ATTENZIONE**

Il cablaggio Ethernet deve essere di categoria 5E o superiore.

Per eseguire il collegamento, procedere come indicato di seguito:

1. Collegare il computer al dispositivo tramite uno dei connettori Ethernet disponibili (J17 o J18).



2. Sul portatile aprire il browser e accedere a <http://serialNumber.local:8080>, laddove *serialNumber* corrisponde al numero di serie del dispositivo (per esempio <http://6S0A182A0001.local:8080>). Il numero di serie identifica il dispositivo in maniera univoca ed è indicato anche sulla targhetta che riporta le caratteristiche del dispositivo stesso.

3. Inserire utente e password. Utente e password sono indicati nella documentazione fornita unitamente al dispositivo.
4. Seguire le istruzioni dell'INGEREV WEB Manager.

#### **ATTENZIONE**

Alcuni sistemi operativi possono, per la loro stessa configurazione, rifiutare l'URL summenzionata. In tali casi è necessario procedere come segue:

1. Collegare il portatile tramite un cavo Ethernet al connettore J17 o J18 del dispositivo.
2. Accedere tramite un browser a <http://192.168.1.33:8080>.
3. Seguire i passaggi indicati nel browser per effettuare la procedura di configurazione.

## 10.1.2. Connessione locale tramite Wi-Fi

Il dispositivo viene configurato di default in modalità *Access Point*. Ciò significa che genera una rete Wi-Fi che consente connessioni di dispositivi quali PC portatili, tablet o smartphone.

Per eseguire il collegamento, procedere come indicato di seguito:

1. Collegare il dispositivo alla rete generata dal caricatore. Il nome della rete corrisponde al numero di serie del dispositivo. La password di rete Wi-Fi è composta dai primi 8 digiti della password indicata sull'adesivo nella documentazione fornita con il dispositivo.
2. Nel dispositivo aprire il browser e andare su <http://192.168.2.1:8080> o <http://SerialNumber.local:8080>.
3. Inserire utente e password. Utente e password sono indicati nella documentazione fornita unitamente al dispositivo.
4. Seguire le istruzioni dell'INGEREV WEB Manager.

## 10.2. Connessione remota

L'obiettivo della comunicazione remota consiste nel disporre di un accesso al caricatore quando quest'ultimo e il PC sono connessi a internet da reti di comunicazione diverse. Il caricatore deve essere collegato a Internet tramite Wi-Fi, Ethernet o 3G/4G.

Per eseguire il collegamento, procedere come indicato di seguito:

1. Con la stazione e il computer connessi a internet, aprire il browser e andare su a <http://www.ingerev.com/serialNumber>, laddove *serialNumber* corrisponde al numero di serie del dispositivo (ad esempio, <http://www.ingerev.com/6S0A182A0001>). Il numero di serie identifica il dispositivo in maniera univoca ed è indicato anche sulla targhetta che riporta le caratteristiche del dispositivo stesso.

#### **ATTENZIONE**

È possibile utilizzare l'url <http://www.ingerev.com/serialNumber> per accedere al caricabatterie solo se ha un IP pubblico. Se invece non si dispone di un IP pubblico, è necessario conoscere tale IP (*ipCargador*) per potervi accedere attraverso <http://ipCargador:8080/>.

Se non si ha un IP pubblico, il computer e il punto di ricarica dovranno essere all'interno della stessa rete o dello stesso APN.

2. Inserire utente e password. Utente e password sono indicati nella documentazione fornita unitamente al dispositivo.

## 11. Funzionamento

La funzione principale della stazione di ricarica è l'erogazione e misurazione di energia elettrica ad utenti precedentemente autorizzati tramite un sistema di lettura di schede RFID, ad eccezione delle stazioni configurate senza autenticazione.

La presente sezione descrive in dettaglio il funzionamento della stazione di ricarica.

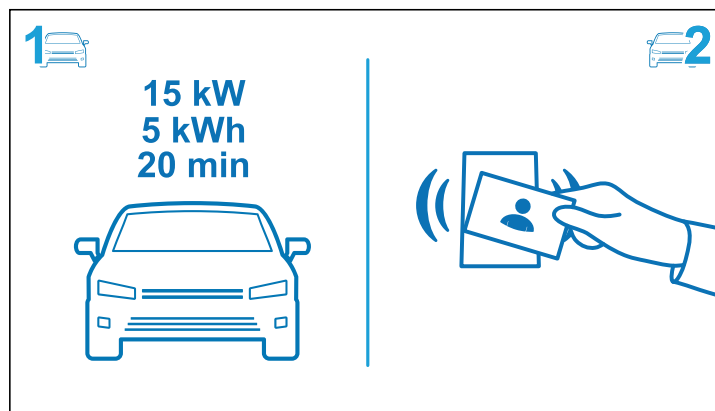
### 11.1. Indicazioni di stato

La stazione di ricarica indica lo stato in cui si trova tramite un segnale luminoso. Dispone di indicatori indipendenti per ogni presa di corrente.

Stato	Illuminazione	Descrizione
Attesa veicolo	Verde continuo	Il punto di ricarica è in attesa che un veicolo si colleghi per la ricarica.
Attesa ricarica	Giallo lampeggiante	Un utente ha passato la scheda sul lettore e il punto di ricarica attende che l'utente colleghi il veicolo.
Ricarica	Blu fisso	Un veicolo è stato collegato alla presa di ricarica.
Consumo ridotto	Blu lampeggiante	Il consumo è ridotto
Evento	Rosso fisso	C'è un errore nella stazione o nel processo di ricarica
Stand by	Nessuna	La stazione di ricarica è stata scollegata a distanza.
Fine della sessione	Giallo fisso	La sessione di ricarica è terminata.
Scheda rifiutata	Rosso fisso	La scheda SD non è valida o non è stata riconosciuta.

### 11.2. Interfaccia utente

Lo schermo è diviso in due aree separate, una per ogni punto disponibile.



L'interfaccia guiderà il processo di ricarica dell'utente.

### 11.3. Processo di ricarica

A seconda delle esigenze del cliente, il processo di ricarica inizierà con o senza autenticazione. La procedura per entrambi i casi è spiegata di seguito.

#### 11.3.1. Processo di ricarica con autenticazione

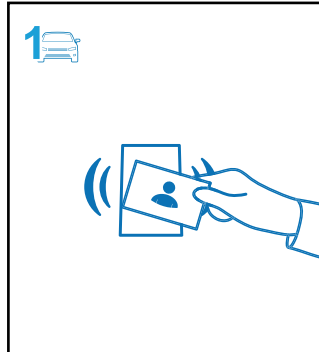
##### ⚠ ATTENZIONE

Il connettore di erogazione elettrica non deve essere estratto dal veicolo durante l'operazione di ricarica.

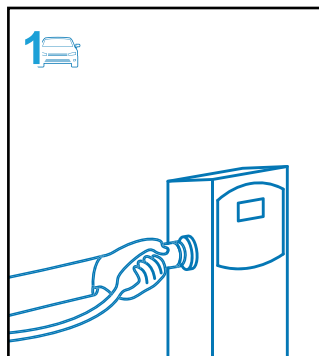
##### Inizio del processo di ricarica

1. Controllare che la stazione si trovi nello stato *attesa veicolo* (luce verde).

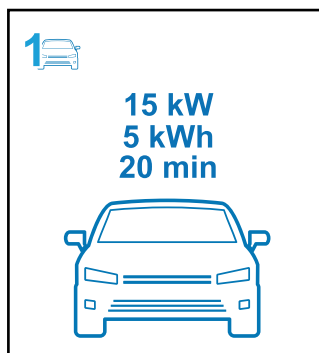
2. Se si dispone di scheda identificativa, avvicinare la scheda all'apposito lettore situato nella parte inferiore del display. Se la scheda viene letta correttamente la stazione di ricarica passa allo stato *attesa ricarica*. Se il gestore della carica usa un'applicazione per la gestione della ricarica, seguire le istruzioni fornite dall'app per avviare il processo.



3. Collegare il veicolo alla stazione di ricarica.

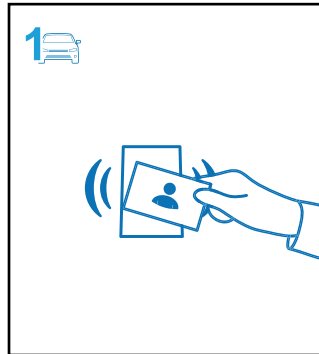


4. La ricarica inizia. La luce rimane blu: in modo fisso se c'è consumo e lampeggiando se non c'è consumo.

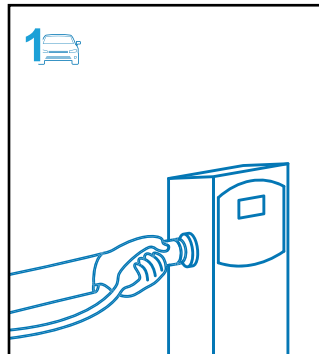


**Fine del processo di ricarica**

1. Per terminare la ricarica, se si dispone della scheda identificativa avvicinarla di nuovo al lettore. Se la ricarica viene gestita mediante app, seguire le istruzioni dell'app.



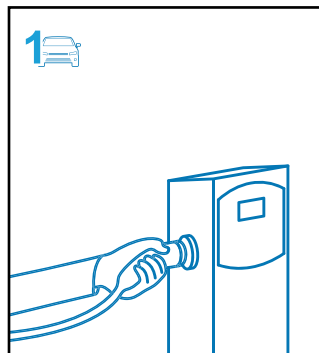
2. Scollegare il veicolo.



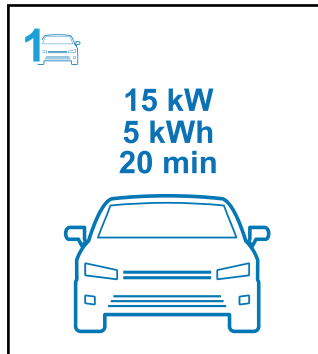
3. Il processo di ricarica è terminato.

**11.3.2. Processo di ricarica senza autenticazione****Inizio del processo di ricarica**

1. Collegare il veicolo alla stazione di carica.

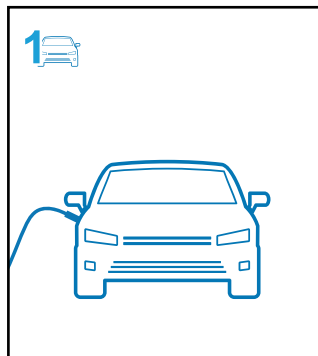


2. La ricarica inizia. La luce rimane blu: in modo fisso se c'è consumo e lampeggiando se non c'è consumo.



### **Fine del processo di ricarica**

1. Scollegare il connettore dal veicolo.



2. Il processo di ricarica è terminato.

## 12. Risoluzione dei problemi

### **ATTENZIONE**

La risoluzione dei problemi deve essere eseguita da personale qualificato rispettando le indicazioni generali sulla sicurezza riportate nel presente manuale.

### 12.1. Allarmi

Codice	Allarme	Descrizione	Soluzione
0001	Difetto dell'installazione	<p>Sono scattate le protezioni della stazione.</p> <p>La stazione rileva che il guasto persiste nell'impianto e non procederà al riarmo delle protezioni fino a che non scompare il guasto.</p>	<p>Nel caso in cui le protezioni siano a riarmo manuale, aprire la stazione per avere accesso alle protezioni.</p> <p>Riarmare le protezioni il cui comando non sia nella posizione corretta.</p> <p>Controllare il corretto cablaggio delle protezioni e controllare che non ci siano cavi staccati o mal serrati.</p> <p>Se l'errore persiste, contattare il servizio assistenza telefonica di Ingeteam</p>
0002	Alimentazione interrotta	<p>Le cause dell'allarme possono essere due:</p> <ul style="list-style-type: none"> <li>Assenza di rete elettrica. Non c'è alimentazione elettrica. La stazione si riavvierà quando si ristabilisce l'erogazione.</li> <li>Sono scattate le protezioni. Sono scattate le protezioni ma il guasto che ha causato lo scatto è scomparso.</li> </ul>	<p>Se dopo aver ristabilito la rete elettrica l'errore persiste, controllare la presenza di tensione nella presa di allacciamento della stazione di ricarica.</p> <p>Se la causa dell'allarme è stato l'intervento delle protezioni interne della colonnina, procedere alla sua risoluzione come stabilito per l'allarme "001 Difetto dell'installazione".</p>
0004	Porta aperta	La porta anteriore del dispositivo è aperta	Controllare che la porta del dispositivo sia chiusa correttamente
0008	Errore relè di potenza	Il connettore presenta tensione quando non dovrebbe e viceversa.	Avisare del guasto il servizio tecnico fornere e indicare come codice errore:
0016	Guasto di comunicazione contatore energia	Anomalia riguardante la comunicazione interna con il contatore di energia, è possibile che sia causata dall'attivarsi delle protezioni. Procedere alla revisione dell'installazione elettrica da parte di personale qualificato per controllare se si sono attivate le protezioni.	<p>Controllare le protezioni e riarmarle se necessario. Se l'anomalia persiste, controllare che non vi siano problemi di connessione.</p> <p>Se l'allarme persiste, contattare il servizio assistenza telefonica di Ingeteam.</p>
0032	Errore lettore RFID	Errore lettore di schede RFID	Se il problema persiste, ripristinare il dispositivo (v. paragrafo "13. <i>Disconnessione del dispositivo</i> "). Se dopo il riavvio il guasto persiste, contattare Ingeteam.
0128	Fuga di corrente DC	Le stazioni di ricarica prevedono a seconda del modello, un sensore per fughe di corrente continua. La fuga di corrente continua che fa scattare l'allarme è provocata dal veicolo elettrico sotto ricarica, pertanto non si tratta di un allarme della stazione di ricarica ma di un arresto della ricarica per motivi di sicurezza.	<p>L'allarme scomparirà alla fine della ricarica.</p> <p>Se l'allarme persiste in assenza di un veicolo elettrico collegato, contattare il servizio di assistenza telefonica.</p>
0256	Errore sequenza di ricarica	Sequenza di ricarica anomala o disconnessione del veicolo durante la ricarica.	<p>Se l'allarme si attiva per la disconnessione del veicolo durante la sessione di ricarica, smetterà al termine della sessione. Smetterà anche se si ripristina il dispositivo.</p> <p>Se l'allarme persiste anche quando non è più in corso nessuna ricarica, contattare il servizio di assistenza telefonica</p>



<b>Codice</b>	<b>Allarme</b>	<b>Descrizione</b>	<b>Soluzione</b>
0512	Corrente di carica massima consentita	Il veicolo non ha rispettato il limite massimo di corrente di carica ammesso per il tempo massimo stabilito.	L'allarme scompare quando si termina la sessione di ricarica del veicolo elettrico che ha provocato l'allarme.
1024	Errore di comunicazione con il gestore della potenza	Guasto di comunicazione tra la stazione e il gestore di potenza. Questo errore compare nel caso in cui la stazione sia configurata per lavorare insieme a un gestore di potenza e quest'ultimo non sia presente.	Controllare la comunicazione tra la stazione e il gestore di potenza. Se non c'è un gestore di potenza, disabilitarlo nelle impostazioni della stazione.

## 13. Disconnessione del dispositivo

In questa sezione si descrive la procedura per la disconnessione del dispositivo. Se si desidera operare all'interno del dispositivo, per scollegare la tensione è obbligatorio seguire l'ordine delle operazioni qui riportato.

1. Nel caso in cui sia attivo un processo di ricarica, terminare la sessione di ricarica.
2. In caso di apparecchi non protetti, togliere l'alimentazione elettrica dall'esterno. In caso di apparecchi protetti, aprire il dispositivo e scollegare il sezionatore principale Q1.
3. Attendere 10 minuti affinché si scarichino le capacità interne esistenti, si raffreddino gli elementi caldi esistenti e si fermino le pale dei ventilatori.
4. Aprire il dispositivo, con i necessari dispositivi di protezione individuale e verificare che non ci sia tensione nell'allacciamento AC o all'uscita del sezionatore se il punto di ricarica ne è dotato.
5. Segnalare la zona di interruzione collocando il cartello "*Attenzione, proibito realizzare manovre...*". Se necessario, delimitare la zona di lavoro.

## 14. Manutenzione

### ⚠ ATTENZIONE

Le attività di manutenzione consigliate devono essere effettuate con una periodicità minima annuale, eccetto quando diversamente indicato.

### 14.1. Condizioni di sicurezza

#### ⚠ PERICOLO

Per l'esecuzione di tutte le verifiche di manutenzione riportate di seguito, il dispositivo deve trovarsi privo di tensione, e nelle corrispondenti condizioni di sicurezza, comprese quelle specifiche del cliente concernenti questo tipo di interventi.

L'apertura dell'involucro non comporta affatto l'assenza di tensione nel dispositivo, pertanto l'accesso al medesimo può essere effettuato esclusivamente da personale qualificato e nel rispetto delle indicazioni sulla sicurezza riportate in questo documento.

Prima di aprire il dispositivo è necessario togliere la tensione come indicato nella sezione "13. Disconnessione del dispositivo".

Assicurarsi che il dispositivo si trovi in assenza di tensione prima di effettuare qualsiasi operazione di manutenzione.

Per eseguire le attività di manutenzione sul dispositivo, utilizzare il dispositivo di protezione individuale specificato nella sezione "Dispositivi di protezione individuale (DPI)" del presente documento.

#### ⚠ ATTENZIONE

L'insieme delle indicazioni sulla sicurezza riportate di seguito deve essere ritenuto una misura minima di sicurezza.

Ingeteam declina ogni responsabilità per i danni eventualmente causati da un uso inadeguato dei dispositivi. Ogni intervento realizzato su uno qualsiasi dei dispositivi e che comporti una modifica dell'assetto elettrico originale, deve essere previamente autorizzato da Ingeteam. Le proposte devono essere esaminate e approvate da Ingeteam.

### 14.2. Stato dei tubi flessibili e dei connettori di ricarica

Verificare il corretto stato dei tubi flessibili e dei connettori. Non devono presentare segni di urti o tagli. Verificare il corretto funzionamento dei connettori.

### 14.3. Stato dell'involucro

È necessario un controllo periodico dello stato degli involucri mediante una verifica dello stato delle serrature e degli sportelli, e dei sistemi di fissaggio a terra o alla parete.

Verificare che l'involucro sia in corretto stato e non presenti segni di urti o graffi, i quali potrebbero danneggiarlo e comprometterne il grado di protezione.

Nel caso in cui vengano rilevate anomalie di questo tipo, procedere a riparare o sostituire le parti interessate.

### 14.4. Stato dei cavi e dei terminali

È necessario eseguire un controllo annuale dello stato dei cavi e dei terminali.

- Controllare la corretta conduzione dei cavi, assicurandosi che non possano entrare in contatto con parti attive.
- Controllare che non vi siano anomalie negli isolamenti e nei punti caldi, controllando il colore dell'isolamento e dei terminali.
- Controllare che i collegamenti siano serrati con la coppia di serraggio adeguata.

## 15. Smaltimento dei rifiuti

Questi dispositivi utilizzano componenti nocivi per l'ambiente (schede elettriche, batterie o pile, ecc.).

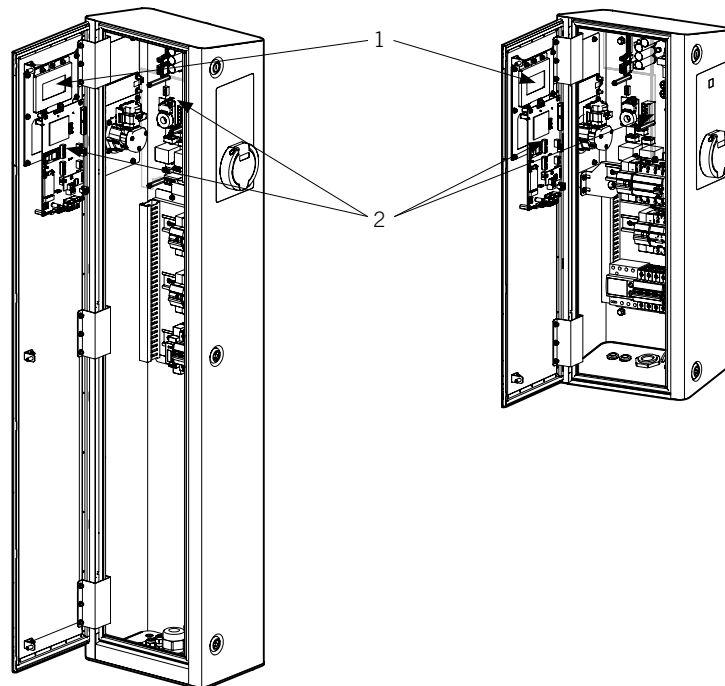


Al termine della sua vita utile, il dispositivo deve essere consegnato a un centro di raccolta autorizzato per il corretto smaltimento dei rifiuti pericolosi.

Ingeteam seguendo una politica rispettosa dell'ambiente, attraverso la presente sezione, informa il centro di raccolta e smaltimento autorizzato sull'ubicazione dei componenti da decontaminare.

Gli elementi presenti all'interno del dispositivo che devono essere trattati in modo specifico sono:

1. Display
2. Schede dei circuiti stampati



## Condições de segurança importantes

Ao longo desta secção, são descritos detalhadamente os avisos de segurança, bem como os Equipamentos de Proteção Individual ou a simbologia utilizada no equipamento. CONSERVAR ESTAS INSTRUÇÕES.

### Condições de segurança

#### Avisos gerais

##### PERIGO

A abertura do invólucro não implica a falta de tensão no interior.

Apenas o pessoal qualificado poderá abri-lo, seguindo as instruções do presente manual.

Existe perigo de descarga elétrica mesmo depois de desligar da rede.

É estritamente proibido aceder ao interior do equipamento por quaisquer outros pontos que não sejam as portas de acesso dispostas para esse efeito. Aceder sempre ao interior sem tensão.

##### ATENÇÃO

As operações detalhadas no manual só podem ser realizadas por pessoal qualificado.

A condição referida de pessoal qualificado no presente manual será, no mínimo, aquela que satisfaça todas as normas, regulamentos e leis sobre segurança aplicáveis aos trabalhos de instalação e operação deste equipamento.

A responsabilidade de designar o pessoal qualificado recairá sempre sobre a empresa para a qual pertença este pessoal, devendo a empresa decidir qual o trabalhador indicado ou não para realizar um ou outro trabalho para preservar a sua segurança, ao mesmo tempo que cumpre a legislação sobre segurança no trabalho.

Essas empresas são responsáveis por proporcionar uma formação adequada sobre equipamentos elétricos ao pessoal e familiarizá-lo com o conteúdo do presente manual.

É obrigatório agir em conformidade com a legislação aplicável em matéria de segurança para os trabalhos elétricos.

O cumprimento das instruções de segurança descritas neste manual ou da legislação proposta não dispensa o cumprimento de outras normas específicas da instalação, local, país ou outras circunstâncias que afetem o equipamento.

O conjunto das condições detalhadas neste documento deve ser considerado mínimo. É sempre preferível cortar a alimentação geral. Podem existir defeitos na instalação que produzam retornos de tensão não desejados. Existe perigo de descarga elétrica.

De acordo com as normas de segurança gerais, todo o equipamento deve ser adequado para proteger os trabalhadores expostos contra o risco de contactos diretos e indiretos. Em qualquer caso, as partes elétricas dos equipamentos de trabalho devem ser ajustadas às disposições das regulamentações específicas correspondentes.

De acordo com as normas de segurança gerais, a instalação elétrica não deve implicar riscos de incêndio ou explosão. Os trabalhadores devem estar devidamente protegidos contra os riscos de acidente causados por contactos diretos ou indiretos. A instalação elétrica e os dispositivos de proteção deverão considerar a tensão, os fatores externos condicionantes e a competência das pessoas que tenham acesso a partes da instalação.

Para verificar a ausência de tensão, é obrigatório usar elementos de medida da classe III-1100 Volts.

##### INFO

Estas instruções devem estar bem acessíveis, próximas do equipamento e ao alcance de todos os utilizadores.

Antes da instalação e colocação em funcionamento, ler atentamente estas instruções de segurança e avisos, bem como todos os sinais de advertência colocados no equipamento. Assegure-se de que todos os sinais de advertência permanecem perfeitamente legíveis e que os sinais danificados ou em falta são substituídos.

A proteção contra contactos diretos é realizada através do invólucro.

**i INFO**

O equipamento foi testado de acordo com as regulamentações aplicáveis para cumprir os requisitos de segurança, os valores das distâncias de isolamento e linhas de fuga para as tensões de utilização.

**Perigos potenciais para as pessoas****⚠ PERIGO**

Choque elétrico.

O equipamento pode permanecer com tensão depois de desligar a alimentação da rede.

Seguir cuidadosamente os passos obrigatórios no manual para retirar a tensão.

Explosão.

Existe um risco muito improvável de explosão em casos muito específicos de mau funcionamento.

A caixa apenas protegerá o pessoal e os bens materiais de explosão se estiver corretamente fechada.

Esmagamento e lesões articulares.

Siga sempre as indicações do manual para mover e instalar o equipamento.

O peso deste equipamento pode provocar lesões se não for manuseado corretamente.

**Perigos potenciais para o equipamento****⚠ PERIGO**

Não toque nas placas nem nos componentes eletrônicos. Os componentes mais sensíveis podem ficar danificados ou serem destruídos pela eletricidade estática.

Não desligue nem ligue nenhum terminal enquanto o equipamento estiver em funcionamento. Desligue e verifique a falta de tensão prévia.

## Equipamento de proteção individual (EPI)

Sempre que trabalhar no equipamento, use, no mínimo, os seguintes equipamentos de segurança recomendados pela Ingeteam.

Denominação	Explicação
Calçado de segurança	Em conformidade com a norma <i>UNE-EN-ISO 20345:2012 ANSI Z41.1-1991</i>
Capacete com viseira	Em conformidade com a norma <i>UNE-EN 397:1995, ANSI Z89.1-2014</i> , sempre que existirem elementos com tensão diretamente acessíveis
Vestuário de trabalho	Justo ao corpo, não inflamável, 100% de algodão
Luvas dielétricas	Em conformidade com a norma <i>EN 60903:2005 ASTM D 120-87</i>

As ferramentas e/ou equipamentos utilizados nos trabalhos sob tensão devem ter obrigatoriamente isolamento de categoria III-1100 Volts.

No caso de as regulamentações próprias do local exigirem outros tipos de equipamentos de proteção individual, os equipamentos recomendados pela Ingeteam deverão ser complementados de forma adequada.

## Símbolos

O equipamento contém os seguintes avisos:



### Riscos elétricos

**Aviso de tensão perigosa:** advertência relativa à tensão elevada que pode provocar lesões graves ou mortais e/ou danos no equipamento.



**Cuidado, superfície quente:** advertência relativa às superfícies quentes que podem provocar queimaduras graves.



Ligação à terra



É obrigatório ler o manual de instruções.



Os equipamentos elétricos e eletrônicos não devem ser colocados contentor do lixo doméstico.

# Índice

Condições de segurança importantes .....	181
Condições de segurança .....	181
Equipamento de proteção individual (EPI) .....	183
Símbolos .....	183
Índice.....	184
1. Informações sobre este manual .....	186
1.1. Campo de aplicação .....	186
1.2. Destinatários .....	186
1.3. Avisos.....	186
2. Descrição do equipamento .....	187
2.1. Visão geral .....	187
2.2. Modelos.....	187
2.3. Tabela de características.....	188
2.4. Tomadas de corrente .....	189
2.5. Proteções.....	190
2.6. Requisitos EMC.....	191
2.7. Acessos da cablagem .....	191
2.7.1. INGEREV FUSION Street.....	192
2.7.2. INGEREV FUSION Wall.....	192
3. Receção do equipamento e armazenagem.....	194
3.1. Receção.....	194
3.2. Identificação do equipamento .....	194
3.3. Danos no transporte .....	194
3.4. Armazenamento.....	194
3.5. Conservação .....	194
4. Transporte do equipamento .....	195
4.1. Transporte.....	195
4.2. Desembalagem .....	195
5. Preparação para a instalação do equipamento.....	196
5.1. Ambiente .....	196
5.2. Condições ambientais .....	196
5.3. Superfície de apoio e fixação.....	197
6. Instalação do equipamento .....	199
6.1. Requisitos gerais de instalação.....	199
6.2. INGEREV FUSION Street.....	199
6.3. INGEREV FUSION Wall .....	201
7. Ligação de acessórios.....	203
7.1. Indicações de segurança para a ligação de acessórios.....	203
7.2. Comunicação por Ethernet.....	203
7.2.1. Requisitos da cablagem .....	203
7.2.2. Processo de ligação.....	203
7.3. Comunicação por 3G/4G (opcional).....	204
7.3.1. Processo de ligação.....	204
8. Ligação da alimentação .....	208
8.1. Indicações de segurança para a ligação da alimentação.....	208
8.2. Requisitos da cablagem para a ligação da alimentação .....	208
8.3. Processo de ligação da alimentação.....	208
9. Primeira ligação à rede elétrica .....	212
9.1. Revisão do equipamento.....	212
9.1.1. Inspeção.....	212
9.1.2. Fechamento hermético do equipamento.....	212
10. Configuração .....	213
10.1. Ligação local .....	213
10.1.1. Ligação local através de Ethernet .....	213



10.1.2. Ligação local através de Wi-Fi .....	214
10.2. Ligação remota .....	214
11. Funcionamento .....	215
11.1. Indicação de estados .....	215
11.2. Interface de utilização .....	215
11.3. Processo de carregamento .....	215
11.3.1. Processo de carregamento com autenticação .....	215
11.3.2. Processo de carregamento sem autenticação .....	217
12. Resolução de problemas .....	219
12.1. Alarmes .....	219
13. Desligamento do equipamento.....	221
14. Manutenção .....	222
14.1. Condições de segurança .....	222
14.2. Estado das mangueiras e dos conectores de carregamento .....	222
14.3. Estado do invólucro.....	222
14.4. Estado dos cabos e dos terminais .....	222
15. Tratamento de resíduos.....	223

# 1. Informações sobre este manual

Este manual tem como objetivo descrever as estações de carregamento de veículos elétricos INGEREV FUSION e fornecer as informações adequadas para a sua correta receção, instalação, colocação em funcionamento, manutenção e operação.

Conservar este manual durante toda a vida útil do equipamento.

## INFO

Para transferir a última versão deste manual, consulte o site [www.ingeteam.com](http://www.ingeteam.com).

## 1.1. Campo de aplicação

Este manual é válido para as seguintes estações de carregamento:

### INGEREV FUSION Street

FS1MW (monofásico com proteções manuais e wattímetros)

FS1AW (monofásico com proteções, diferencial com reativação automática e wattímetros)

FS3NN (trifásico sem proteções, sem wattímetros)

FS3MW (trifásico com proteções manuais e wattímetros)

FS3AW (trifásico com proteções, diferencial com reativação automática e wattímetros)

### INGEREV FUSION Wall

FW1MW (monofásico com proteções manuais e wattímetros)

FW1AW (monofásico com proteções, diferencial com reativação automática e wattímetros)

FW3NN (trifásico sem proteções, sem wattímetros)

FW3MW (trifásico com proteções manuais e wattímetros)

FW3AW (trifásico com proteções, diferencial com reativação automática e wattímetros)

## 1.2. Destinatários

O presente documento destina-se a pessoal qualificado.

A condição referida de pessoal qualificado no presente manual será, no mínimo, aquela que satisfaça todas as normas, regulamentos e leis sobre segurança aplicáveis aos trabalhos de instalação e operação deste equipamento.

A responsabilidade de designar o pessoal qualificado recairá sempre sobre a empresa para a qual pertença este pessoal, devendo a empresa decidir qual o trabalhador indicado ou não para realizar um ou outro trabalho para preservar a sua segurança, ao mesmo tempo que cumpre a legislação sobre segurança no trabalho.

Essas empresas são responsáveis por proporcionar uma formação adequada sobre equipamentos elétricos ao pessoal e familiarizá-lo com o conteúdo do presente manual.

## 1.3. Avisos

Este manual inclui avisos para seleção das informações que se pretende destacar. De acordo com a natureza de conteúdo do texto, existem três tipos de avisos:



**PERIGO**

Indicação de riscos para a integridade do pessoal ou do inversor.



**ATENÇÃO**

Indicação de carácter importante.



**INFO**

Informação adicional ou referências a outras partes do documento ou a outros documentos.

## 2. Descrição do equipamento

### 2.1. Visão geral

Os carregadores INGEREV FUSION são o modelo de carregadores CA preparados para satisfazer todos os requisitos de carregamento de veículos elétricos em ambientes públicos e privados.

Permitem o carregamento simultâneo de dois veículos e com as suas diferentes configurações de tomadas de corrente são compatíveis com o modo 3, bem como com os modos 1 e 2.

Foram concebidos para uso interior e exterior e podem ser instalados em locais de acesso sem restrições.

### 2.2. Modelos

A gama INGEREV FUSION está disponível em duas versões: FUSION Street para instalação no solo, e FUSION Wall para instalação em parede. Nestas versões estão disponíveis as seguintes variantes:

	Variantes dos modelos INGEREV FUSION Street/Wall				
	FS1MW/ FW1MW	FS1AW/FW1AW	FS3NN/FW3NN	FS3MW/ FW3MW	FS3AW/FW3AW
Rede	Monofásica	Monofásica	Trifásica	Trifásica	Trifásica
Medidor de potência	●	●	●	●	●
Wattímetro MID	●	●		●	●
Dispositivo de corrente residual Tipo A manual	●			●	
Dispositivo de corrente residual Tipo A reativável		●			●
Proteção contra sobrecargas (Curva C)	●	●		●	●

## 2.3. Tabela de características

	INGEREV FUSION Street		INGEREV FUSION Wall	
	Monofásico (FS1)	Trifásico (FS3)	Monofásico (FW1)	Trifásico (FW3)
<b>Entradas e saídas CA</b>				
Tensão	1 fase + N +PE 230 V CA ± 15%	3 fases + N +PE 400 V CA ± 15%	1 fase + N +PE 230 V CA ± 15%	3 fases + N +PE 400 V CA ± 15%
Potência máxima de entrada	14,8 kW (7,4 kW + 7,4 kW)	44 kW (22 kW + 22 kW)	14,8 kW (7,4 kW + 7,4 kW)	44 kW (22 kW + 22 kW)
Frequência	50/60 Hz			
Corrente máxima de entrada	64 A (32 A + 32 A)			
Conectores de saída	Configurável (tipo 1 e tipo 2 tanto em tomada como em cabo, tipo 3A, CEE 7/3 tipo F, CEE 7/5 tipo E)			
Modo de ligação	5 tipos de ficha e 2 tipos de cabo			
<b>Normas e segurança</b>				
Normas padrão	IEC-61851-1, IEC-61851-21-2, IEC-61000			
Sobrecarga	Dispositivo de proteção contra sobrecargas (Curva C)			
Contactos indiretos	Dispositivo de corrente residual (RCD) 30 mA tipo A <sup>(1)</sup> /Detetor de fugas de corrente contínua (opcional)			
Sobretensões <sup>(1)</sup>	Proteção contra sobretensões Tipo III			
<b>Funcionalidades e acessórios</b>				
Comunicações	Ethernet, Wi-Fi, Switch Ethernet GPRS-3G/4G (opcional)			
Protocolo de comunicações	OCPP			
HMI	Ecrã a cores TFT de 4,3", RFID (Mifare Classic 1K&4K, MifareDesFire WV1, NFC)			
<b>Informação geral</b>				
Consumo em modo de espera	< 10 W			
Medição de energia	2 x Wattímetros MID			
Temperatura de funcionamento	-25 °C a 50 °C			
Humidade	<95%			
Altitude máxima	2000 m			
Peso	33 kg (2 x Tipo 2)		24 kg (2 x Tipo 2)	
Dimensões (altura x largura x profundidade)	1400 x 320 x 215 mm		800 x 320 x 215 mm	
Invólucro	Aço galvanizado			
Grau de proteção	IP54 / IK10 (display IK08)			
Grau de contaminação	PD3			
Marcação	CE			
Diretrizes	Diretrizes de baixa tensão: 2014/35/EU Diretriz EMC: 2014/30/EU			

<sup>(1)</sup> Proteção manual ou reativável, dependendo do modelo

<sup>(2)</sup> Existe a alternativa de Tipo B

## 2.4. Tomadas de corrente

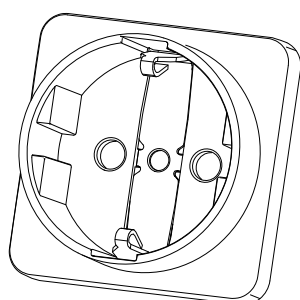
**ATENÇÃO**

Não é permitida a utilização de adaptadores, conversores ou extensores para carregar veículos elétricos.

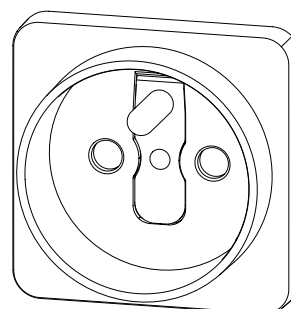
Estas estações de carregamento podem ser adquiridas com diferentes configurações de conectores e mangueiras, dependendo das necessidades do cliente. Permitem o carregamento simultâneo de dois veículos ligando cada um deles a um lado do ponto de carregamento.

A configuração mais comum inclui uma única tomada em cada lado, e um máximo de duas tomadas podem ser instaladas do lado direito. Neste caso, estas duas tomadas não podem ser utilizadas simultaneamente.

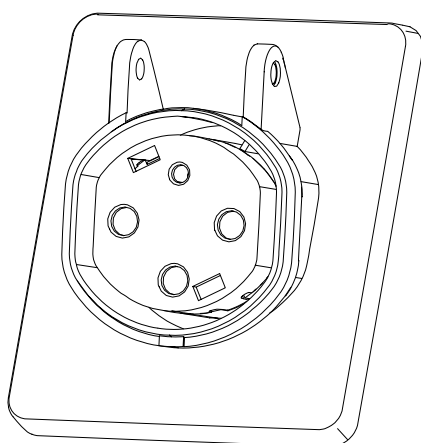
Os diferentes conectores disponíveis são mostrados abaixo.



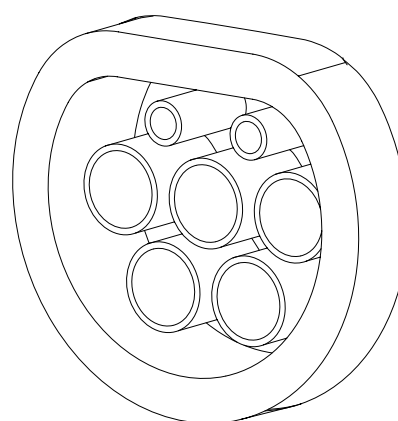
CEE 7/3 Tipo F



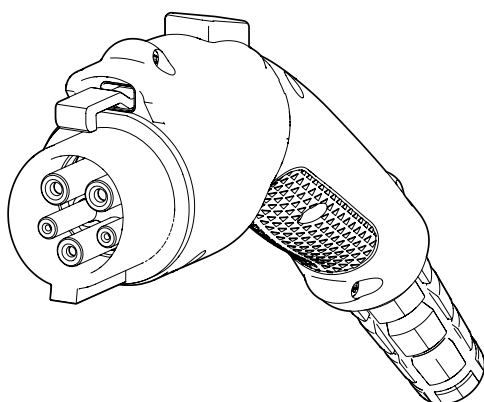
CEE 7/5 Tipo E



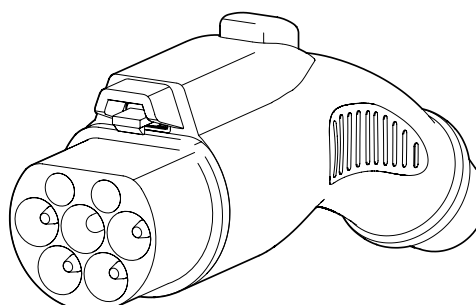
IEC 62196-2 Tipo 3A



IEC 62196-2 Tipo 2



Cabo Tipo 1



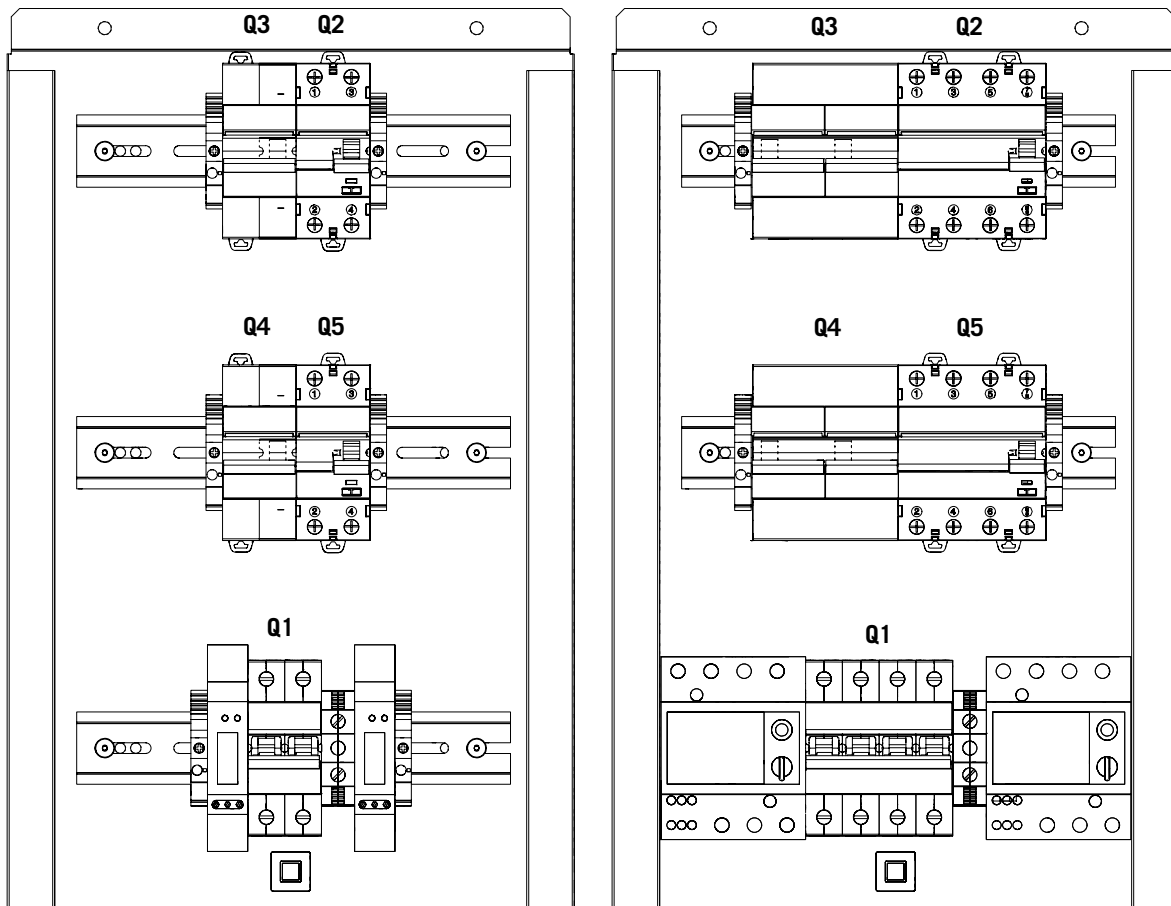
Cabo Tipo 2

## 2.5. Proteções

Dependendo do modelo, a estação de carregamento pode estar equipada com várias proteções, conforme descrito abaixo.

### ⚠ ATENÇÃO

Nos modelos sem proteções integradas (FS3NNN/FW3NNN), estas devem ser instaladas a montante do carregador para que cada ponto de ligação seja alimentado individualmente por um circuito protegido por um dispositivo de proteção contra sobrecargas e por um dispositivo diferencial residual.

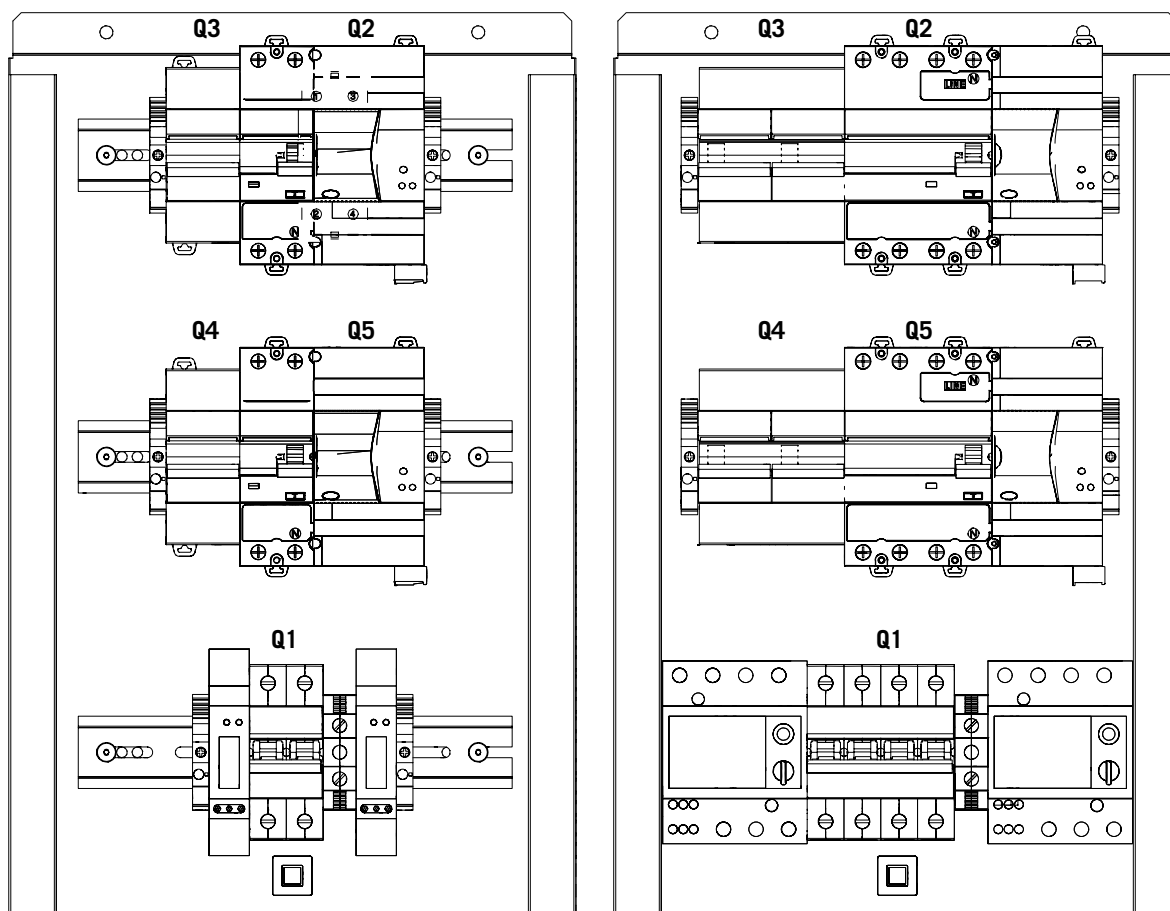


*FS1MW/FW1MW (monofásico com proteções manuais e wattímetros)*

*FS3MW/FW3MW (trifásico com proteções manuais e wattímetros)*

Para ambos os casos:

- Q1: Seccionador principal 80 A
- Q2, Q5: Interruptor diferencial 30 mA tipo A
- Q3, Q4: Interruptor magnetotérmico curva C
- Q2 e Q3 protegem a tomada de corrente esquerda
- Q4 e Q5 protegem a tomada de corrente direita



*FS1AW/FW1AW (monofásico com proteções, diferencial com reativação automática e wattímetros)*

*FS3AW/FW3AW (trifásico com proteções, diferencial com reativação automática e wattímetros)*

Para ambos os casos:

- Q1: Seccionador principal 80 A
- Q2, Q5: Interruptor diferencial 30 mA tipo A
- Q3, Q4: Interruptor magnetotérmico curva C
- Q2 e Q3 protegem a tomada de corrente esquerda
- Q4 e Q5 protegem a tomada de corrente direita

## 2.6. Requisitos EMC

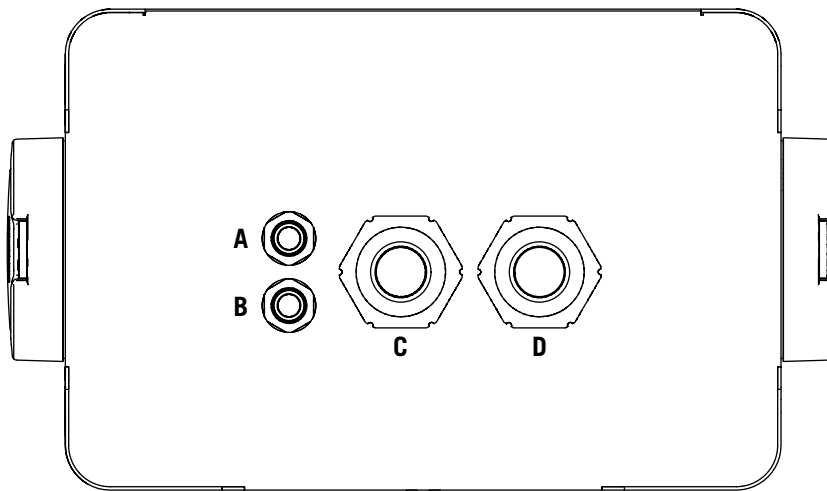
Estas estações de carregamento estão equipadas com os elementos de filtro necessários para o cumprimento dos requisitos de ECM para aplicações domésticas, com o objetivo de evitar perturbações nos outros equipamentos exteriores à instalação.

## 2.7. Acessos da cablagem

Na parte inferior da estação há uma série de prensa-cabos para inserir a cablagem para o interior.

### 2.7.1. INGEREV FUSION Street

Vista inferior



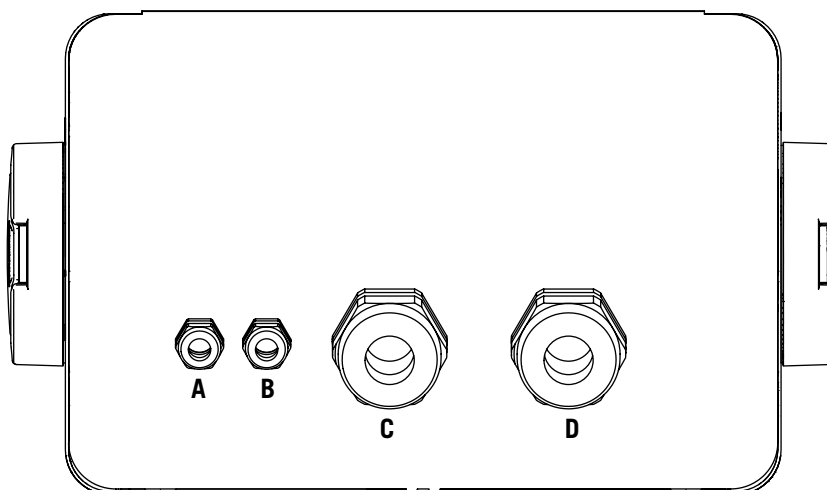
- |   |   |
|---|---|
| <p>A Entrada de comunicações. PG16, diâmetro do cabo permitido 4 ~ 10 mm</p> <p>B Saída de comunicações. PG16, diâmetro do cabo permitido 4 ~ 10 mm</p> | <p>C Entrada de alimentação n.º 1. PG40, diâmetro do cabo permitido 16 ~ 28 mm</p> <p>D Entrada de alimentação n.º 2. PG40, diâmetro do cabo permitido 16 ~ 28 mm</p> |
|---|---|

**i** INFO

Nas estações de solo INGEREV FUSION Street, sendo preferível introduzir os cabos através dos acessos indicados nesta secção, é possível desinstalar a base metálica sobre a qual estão montados os prensa-cabos de modo a ter uma superfície de acesso maior.

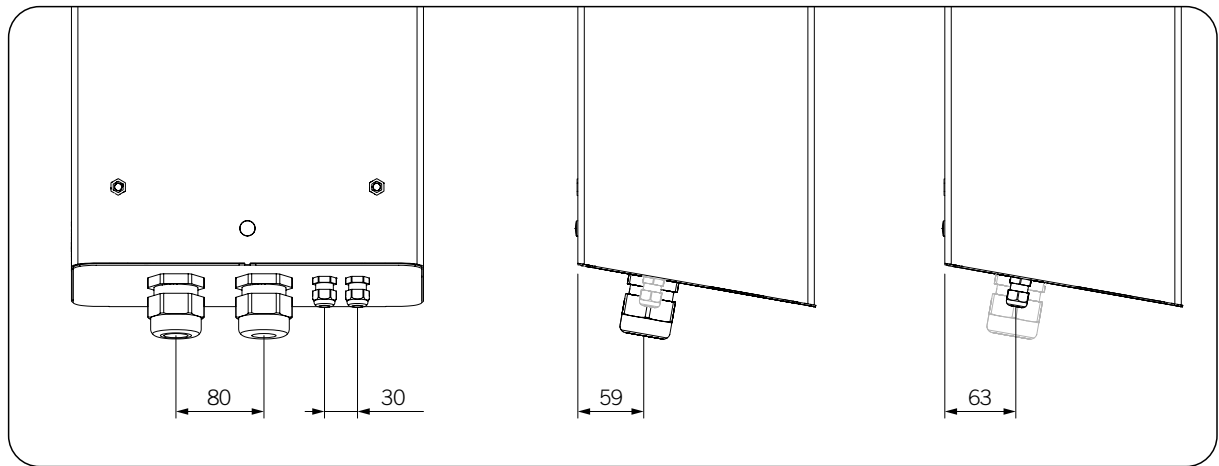
### 2.7.2. INGEREV FUSION Wall

Vista inferior



- |   |   |
|---|---|
| <p>A Entrada de comunicações. PG16, diâmetro do cabo permitido 4 ~ 10 mm</p> <p>B Saída de comunicações. PG16, diâmetro do cabo permitido 4 ~ 10 mm</p> | <p>C Entrada de alimentação n.º 1. PG40, diâmetro do cabo permitido 16 ~ 28 mm</p> <p>D Entrada de alimentação n.º 2. PG40, diâmetro do cabo permitido 16 ~ 28 mm</p> |
|---|---|





EN  
ES  
FR  
IT  
PT

## 3. Receção do equipamento e armazenagem

### 3.1. Receção

Manter o equipamento dentro da embalagem até imediatamente antes da sua instalação.

### 3.2. Identificação do equipamento

O número de série do equipamento identifica-o de forma inequívoca. Em qualquer comunicação com a Ingeteam, faça referência a este número.

O número de série do equipamento também está indicado na placa de identificação.

### 3.3. Danos no transporte

Se, durante o transporte, o equipamento tiver sofrido danos, siga os seguintes passos na seguinte ordem:

1. Não proceda à instalação.
2. Notifique imediatamente o distribuidor no prazo de cinco dias a partir da receção do equipamento.

Se for necessário devolver o equipamento ao fabricante, utilize a mesma embalagem na qual o equipamento foi recebido.

### 3.4. Armazenamento

#### ATENÇÃO

O incumprimento das instruções fornecidas nesta secção pode originar danos no equipamento.

A Ingeteam não assume nenhuma responsabilidade pelos danos decorrentes do incumprimento destas instruções.

Se o equipamento não for instalado imediatamente após a sua receção, deve-se ter em conta os seguintes aspetos de modo a evitar sua deterioração:

- O equipamento deve ser armazenado na sua embalagem original.
- Mantenha o equipamento livre de sujidade (pó, aparas, gordura, etc.) e de roedores.
- Evite que ele receba salpicos de água, faíscas de soldaduras, etc.
- Cubra o equipamento com um material protetor transpirável, de modo a evitar a condensação gerada pela humidade ambiente.
- Os equipamentos armazenados não deverão estar submetidos a condições climáticas diferentes das indicadas na secção “2.3. Tabela de características”.
- É muito importante proteger o equipamento de produtos químicos que possam provocar corrosão e de ambientes salinos.
- Não deixe o equipamento ao ar livre.

### 3.5. Conservação

Para obter uma conservação correta dos equipamentos, não deve retirar da embalagem original até o momento da respetiva instalação.

Em caso de armazenamento prolongado, é recomendável que este seja realizado em locais secos, evitando dentro do possível, mudanças bruscas de temperatura.

A deterioração da embalagem (cortes, aberturas, etc.) faz com que os equipamentos não se mantenham em ótimas condições antes da sua instalação. A Ingeteam não se responsabiliza pelo equipamento em caso de incumprimento desta condição.

## 4. Transporte do equipamento

Durante o transporte, proteja o equipamento contra golpes mecânicos, vibrações, salpicos de água (chuva) e qualquer outro produto ou situação que possa danificar ou alterar seu bom funcionamento. O incumprimento destas instruções pode originar a perda de garantia do produto, da qual a Ingeteam não se responsabiliza.

### 4.1. Transporte

#### ATENÇÃO

É estritamente proibido transportar ou elevar o equipamento puxando pelas mangueiras de carga.

#### Transporte através de um porta-paletes

As seguintes instruções deverão ser obrigatoriamente seguidas:

1. Coloque as estações de carregamento embaladas e centradas no que respeita aos grampos.
2. Tente colocá-las o mais próximo possível da união entre os grampos e a pega.
3. Respeitar sempre o manual de utilização do porta-paletes.

#### Transporte através do empilhador

As seguintes instruções deverão ser obrigatoriamente seguidas:

1. Coloque as estações de carregamento embaladas e centradas no que respeita aos grampos.
2. Tente colocá-las o mais próximo possível da união entre os grampos e a pega.
3. Assegure-se de que as pinças estão perfeitamente niveladas para evitar possíveis derrubamentos do equipamento.
4. Em qualquer caso, respeite o manual de utilização do empilhador.

Uma vez transportada a estação de carregamento para o local onde vai ser colocada, e só deverá ser desembalada no momento da instalação.

Nesse momento, pode-se transportá-la verticalmente por uma distância curta sem a embalagem.

#### Transporte do equipamento com o equipamento desembalado

As seguintes instruções deverão ser obrigatoriamente seguidas:

1. Siga os conselhos ergonómicos necessários para levantar pesos.
2. Não solte o equipamento até que este esteja perfeitamente fixado ou pousado.
3. Peça a outra pessoa que oriente os movimentos a serem realizados.

### 4.2. Desembalagem

É extremamente importante manusear corretamente as estações de carregamento, de modo a:

- Não deteriorar a embalagem que permite mantê-las em ótimas condições, desde a sua expedição até o momento de serem instaladas.
- Evitar golpes e/ou quedas das estações de carregamento que possam deteriorar as suas características mecânicas.
- Evitar, na medida do possível, as vibrações que possam provocar um mau funcionamento posterior.
- Desembalar o equipamento numa posição horizontal.

No caso de observar alguma anomalia, entre imediatamente em contato com a Ingeteam.

#### Eliminação da embalagem

Todas as embalagens podem ser entregues a um gestor autorizado de resíduos não perigosos.

Em qualquer caso, o destino de cada parte da embalagem será o seguinte:

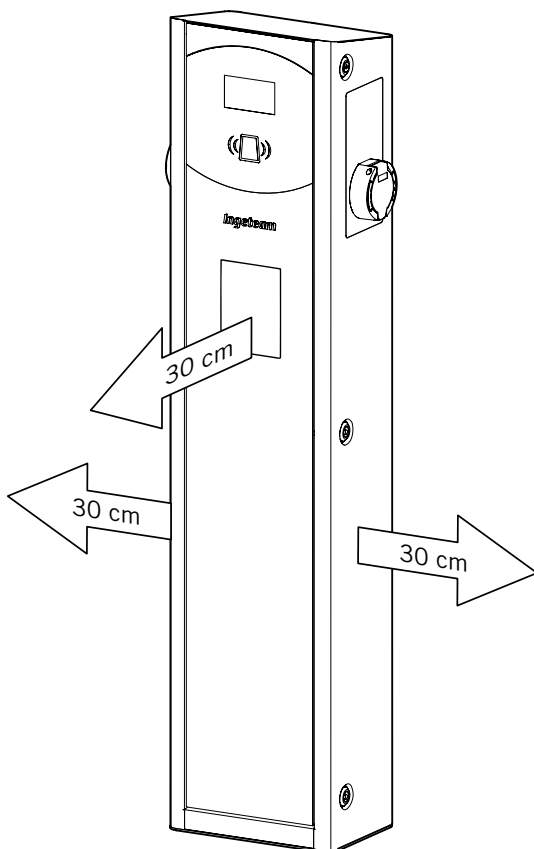
- Plástico (poliestireno, saco e plástico bolha): contentor correspondente.
- Papelão: contentor correspondente.

## 5. Preparação para a instalação do equipamento

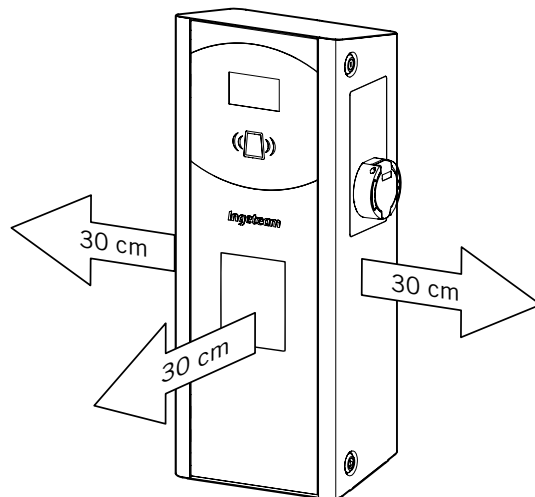
No momento de escolher a localização do equipamento e planear a respetiva instalação, deve ser seguida uma série de instruções derivadas das características do mesmo.

### 5.1. Ambiente

- Estes equipamentos podem ser instalados no interior e exterior.
- Coloque os equipamentos num local acessível para os trabalhos de instalação e manutenção, que permita o manuseamento e a leitura dos LED indicadores.
- Evite ambientes corrosivos que possam afetar o funcionamento correto do equipamento.
- Não deixe objetos apoiados sobre o equipamento ou sobre as suas partes laterais.
- Mantenha as seguintes distâncias mínimas livres de obstáculos:



INGEREV FUSION Street



INGEREV FUSION Wall

### 5.2. Condições ambientais

#### ⚠ ATENÇÃO

A Ingeteam não garante o correto funcionamento do equipamento no caso de não serem cumpridas as condições de funcionamento para as quais não foi concebido.

Evitar ambientes corrosivos que possam afetar o funcionamento correto do equipamento. Não instalar o equipamento em áreas classificadas ATEX.

Tenha em conta as condições ambientais de funcionamento do equipamento indicadas na secção “2.3. Tabela de características” para escolher a sua localização.

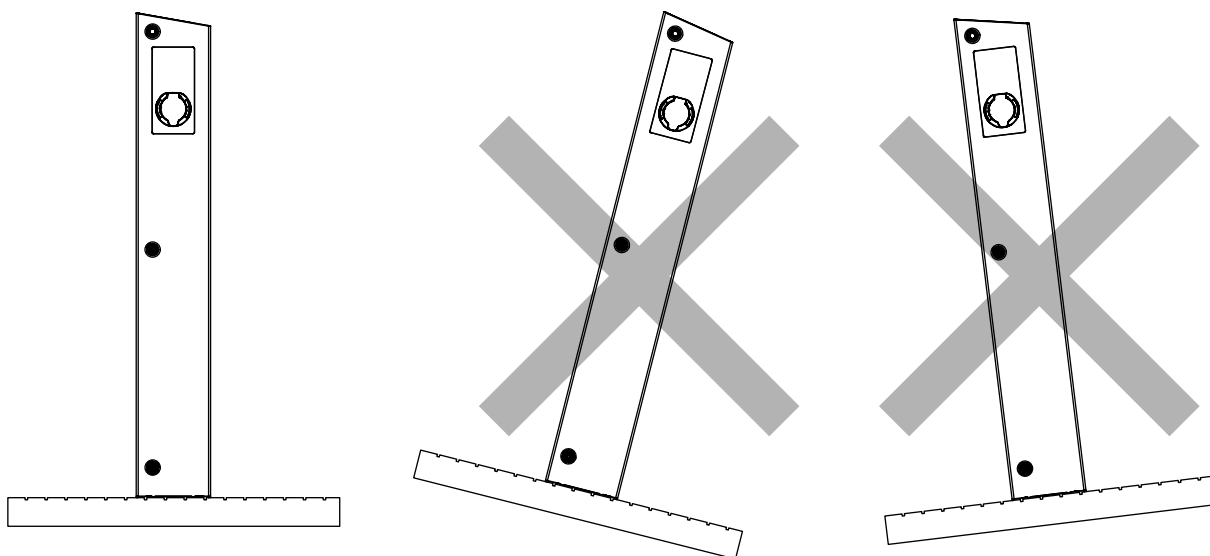
É necessário ter em conta que ocasionalmente uma condensação moderada pode formar-se como consequência das variações de temperatura. Por este motivo, e à margem da própria proteção do equipamento, é necessário supervisionar estas estações de carregamento, uma vez colocadas em funcionamento nos locais em que se julgue que não irão ocorrer as condições anteriormente descritas.

Nunca aplique tensão nos equipamentos com condensação.

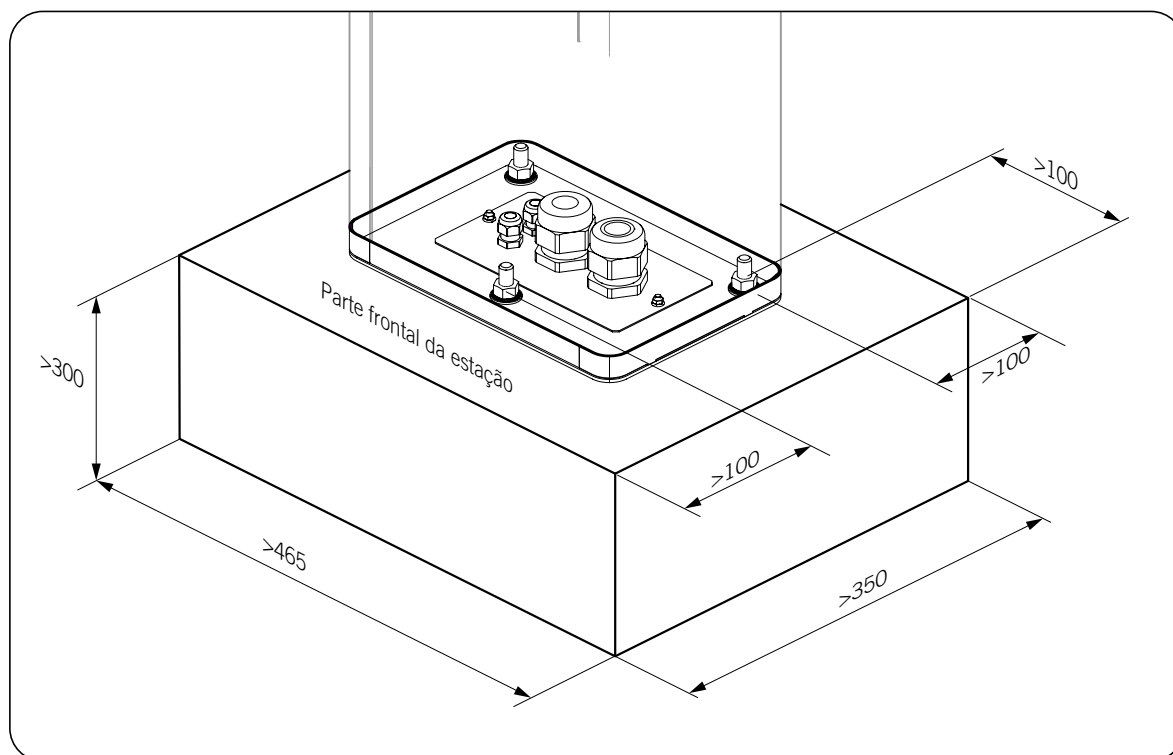
### 5.3. Superfície de apoio e fixação

#### INGEREV FUSION Street

No INGEREV FUSION Street, deve ser reservada uma superfície regular e sólida para fixar o equipamento, que deve ser perfeitamente vertical.

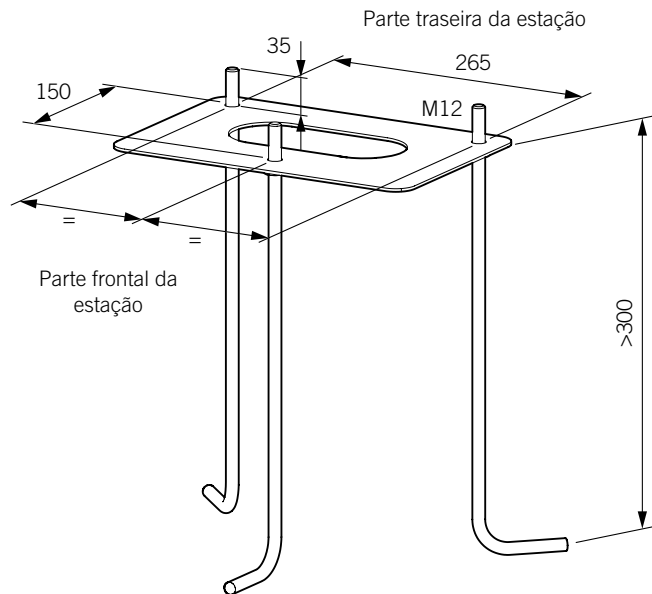


Os seguintes detalhes devem ser tidos em conta no cálculo da base mínima de betão.



- Distância mínima dos parafusos de fixação aos bordos da base de betão: 100 mm.
- Espessura mínima da base de betão: 100 mm.
- Comprimento mínimo dos parafusos de fixação: 300 mm.
- Resistência mínima à tração dos parafusos: 7,7 kN. Coeficiente de segurança 1,5.
- Resistência mínima ao cisalhamento dos parafusos: 9,3 kN. Coeficiente de segurança 1,25.

As dimensões de fixação são detalhadas abaixo.



### INGEREV FUSION Wall

O INGEREV FUSION Wall deve ser instalado numa superfície regular, sólida e perfeitamente vertical, de acordo com as especificações dos regulamentos aplicáveis ao local de instalação.

## 6. Instalação do equipamento

Antes de proceder à instalação do equipamento, a embalagem deverá ser retirada, tendo cuidado especial para não danificar o invólucro (consulte a secção “4.2. Desembalagem”).

Certifique-se que não existe condensação no interior da embalagem. Se existirem sinais de condensação, o equipamento não deverá ser instalado até assegurar que ele está completamente seco.

### ⚠ ATENÇÃO

Todas as operações de instalação devem cumprir a regulamentação vigente.

Todas as operações que impliquem a movimentação de pesos elevados devem ser realizadas com a ajuda dos meios de assistência mecânica necessários (guindaste, garibalde, etc.).

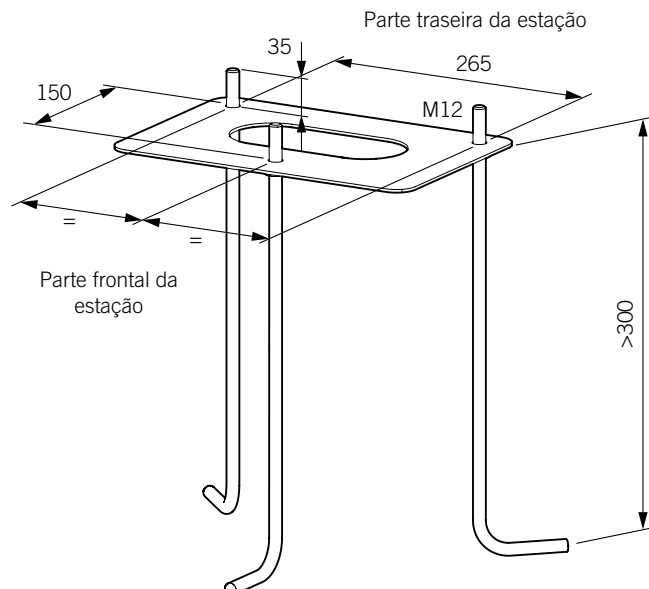
### 6.1. Requisitos gerais de instalação

- O ambiente do equipamento deve ser adequado e satisfazer as instruções descritas no capítulo “5. Preparação para a instalação do equipamento”. Além disso, os elementos utilizados na restante instalação devem ser compatíveis com o equipamento e com o cumprimento da legislação aplicável.
- A ventilação e o espaço de trabalho devem ser adequados para os trabalhos de manutenção, de acordo com a regulamentação aplicável vigente.
- Os dispositivos exteriores de ligação devem ser adequados e estar suficientemente próximos, de acordo com o estabelecido na regulamentação vigente.
- Os cabos de ligação devem ter a secção adequada à corrente máxima.
- Tenha especial cuidado para não existirem elementos exteriores próximos às entradas e saídas de ar que impeçam a refrigeração correta do equipamento (consulte a secção “5.1. Ambiente”).

### 6.2. INGEREV FUSION Street

Para instalar o INGEREV FUSION Street siga as instruções abaixo:

1. Coloque a fixação no solo, respeitando as seguintes dimensões.



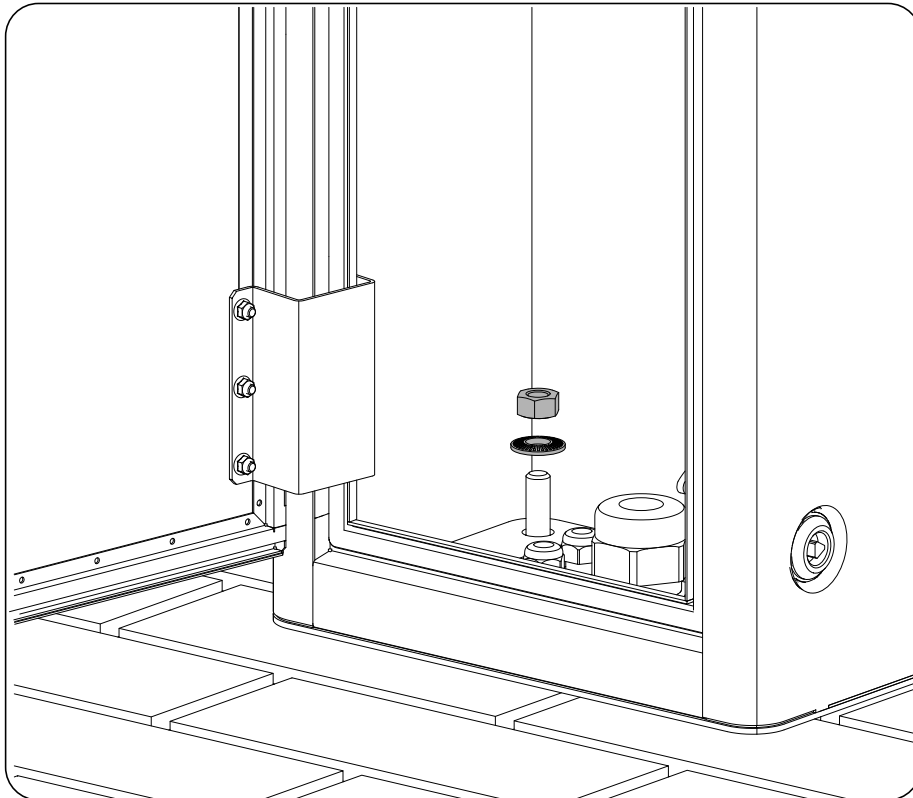
2. Abra as fechaduras laterais da estação para ter acesso ao interior. A fechadura superior é acionada por chave.

3. Inserir a cablagem através dos prensa-cabos inferiores, deixando uma certa folga de modo a que a cablagem não está esticada, uma vez ligada (ver secções “2.7. Acessos da cablagem” e “8.3. Processo de ligação da alimentação”).

**i INFO**

Embora seja preferível inserir a cablagem através dos prensa-cabos, é possível desaparafusar a base sobre a qual estão montados no caso de ser necessário um espaço maior para a cablagem da ligação.

4. Fixe a estação ao solo utilizando os três parafusos e anilhas fornecidos.



5. Verifique se a fixação está correta.
6. Retire a película protetora do painel destacável.

Assim que o equipamento estiver instalado corretamente, o processo de ligação do mesmo será iniciado. Estabeleça as ligações na ordem seguinte:

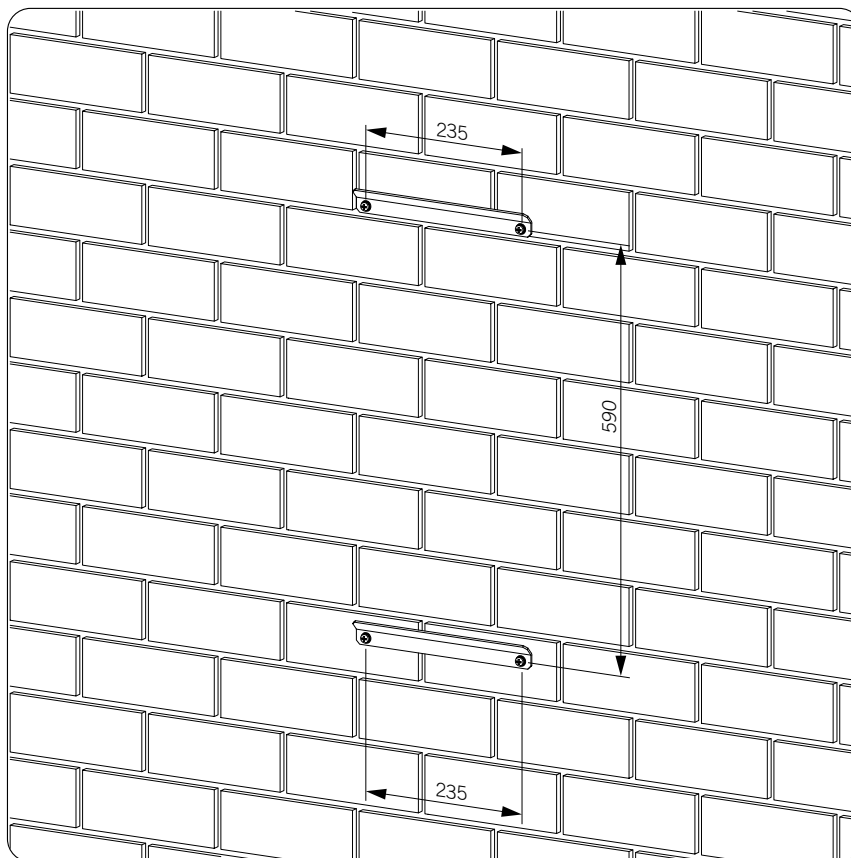
1. Ligação de acessórios (opcional).
2. Ligação de CA.



### 6.3. INGEREV FUSION Wall

Para instalar o INGEREV FUSION Wall siga as instruções abaixo:

1. Instale os suportes na parede. Os suportes são iguais.



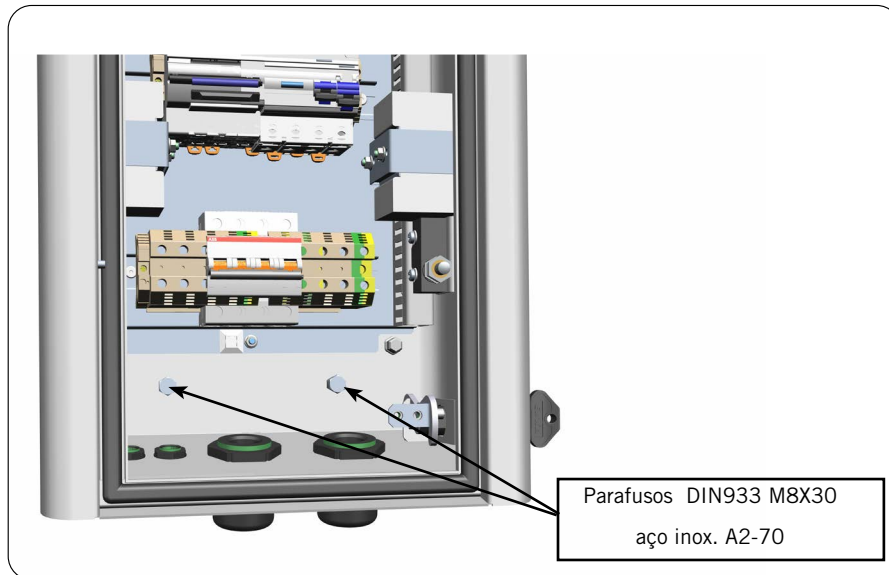
2. Pendurar o carregador nos suportes.



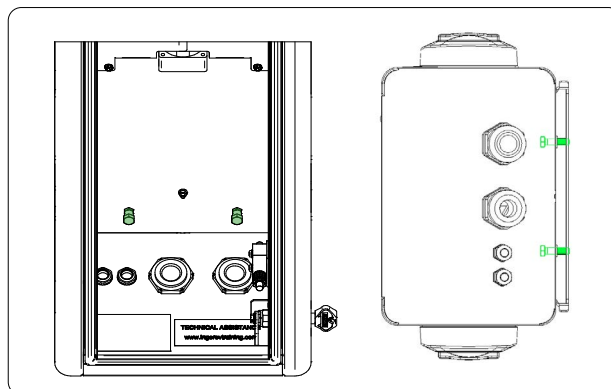
O carregador deve ser pendurado na parede utilizando os suportes incluídos, que impedem o movimento lateral. No entanto, o carregador pode ser deslocado verticalmente, permitindo a sua remoção puxando-o para cima.

Para fixar o equipamento na vertical, este deve ser aparafusado ao suporte da seguinte forma:

3. Abra as fechaduras laterais da estação para ter acesso ao interior. A fechadura superior é acionada por chave.
4. Introduzir os parafusos nas porcas inseridas do armário para evitar uma deslocação vertical:



5. Aperte os parafusos até entrarem em contacto com as placas instaladas na etapa 1.



6. Verifique se a fixação está correta.
7. Insira a cablagem através das aberturas na parte inferior da estação (consulte as secções “2.7. Acessos da cablagem” e “8.3. Processo de ligação da alimentação”).
8. Retire a película protetora do painel destacável.

Assim que o equipamento estiver instalado corretamente, o processo de ligação do mesmo será iniciado. Estabeleça as ligações na ordem seguinte:

1. Ligação de acessórios (opcional).
2. Ligação de CA.

## 7. Ligação de acessórios

Ao longo deste capítulo, é explicado o processo para ligar os acessórios de série e opcionais no equipamento.  
Leia atentamente antes de iniciar o processo de ligação.

### 7.1. Indicações de segurança para a ligação de acessórios

#### **⚠ PERIGO**

Assegure a ausência de tensão no equipamento antes de iniciar a ligação.

**Não fornecer tensão** ao equipamento até ter concluído as ligações com sucesso e o equipamento tenha sido fechado.

Utilize os Equipamentos de Proteção Individual especificados na secção “*Equipamento de proteção individual (EPI)*”.

#### **⚠ ATENÇÃO**

A Ingeteam não se responsabiliza pelos danos decorrentes de uma ligação incorreta.

### 7.2. Comunicação por Ethernet

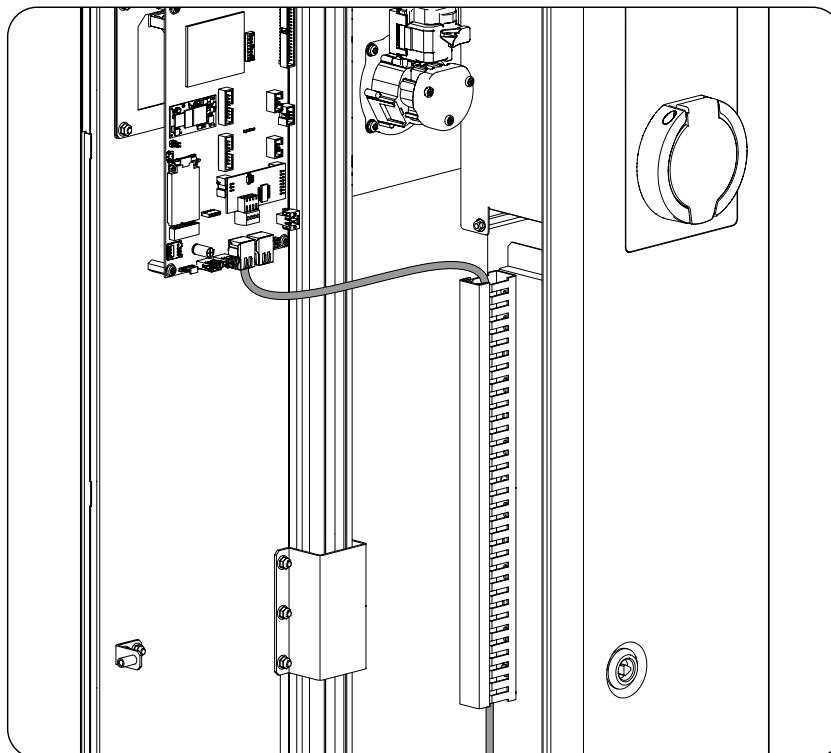
#### 7.2.1. Requisitos da cablagem

Para a comunicação Ethernet, utilize um cabo de 4 a 6 mm de diâmetro.

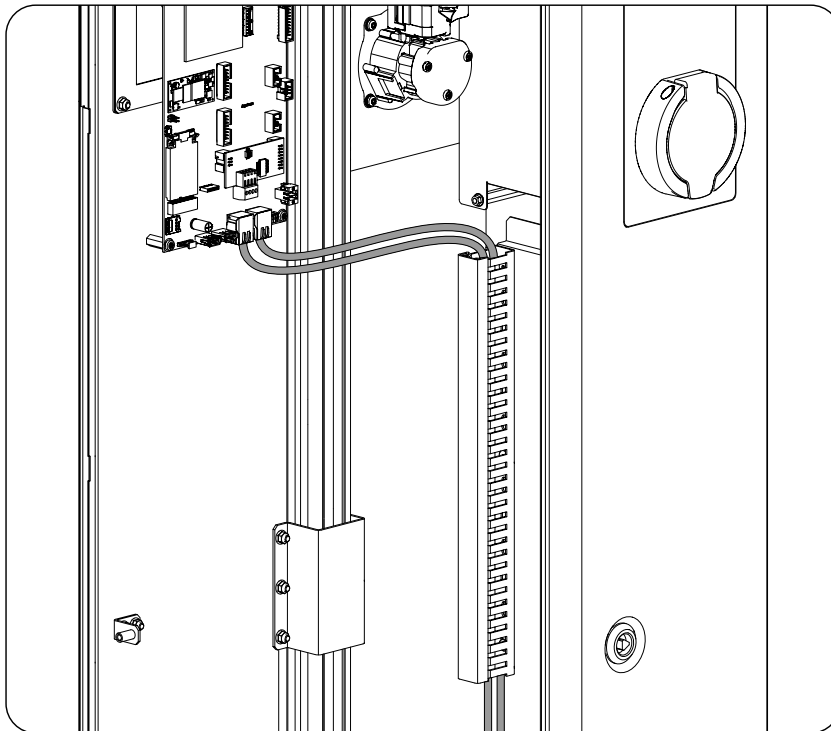
#### 7.2.2. Processo de ligação

Para proceder à ligação, realize os seguintes passos:

1. Na área de acesso à cablagem inferior, insira a cablagem Ethernet através do prensa-cabos correspondente.
2. Passe os cabos através da conduta lateral e ligar em J17 ou J18.



3. Se quiser ligar a estação a outra estação, ligue-se a J17 ou J18 (o que estiver livre)



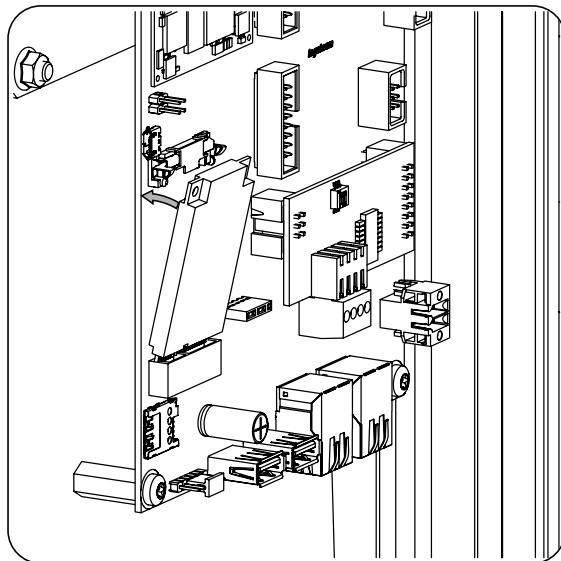
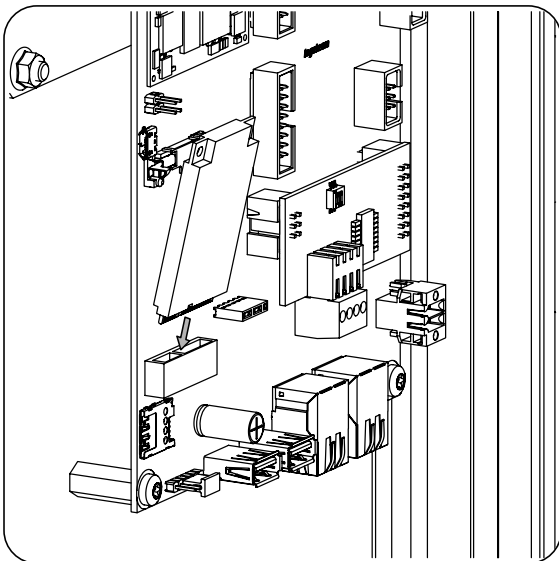
4. Aperte o prensa-cabos para assegurar a estanqueidade, certificando-se de que a cablagem não está esticada.

## 7.3. Comunicação por 3G/4G (opcional)

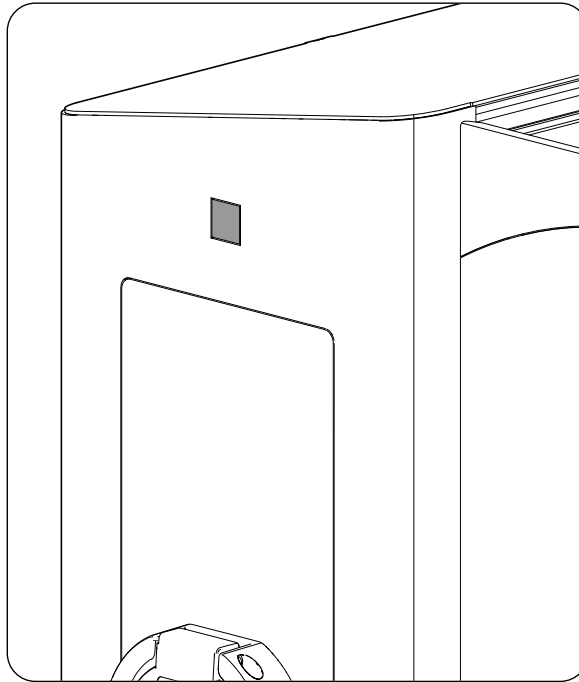
Para dispor de comunicação 3G/4G na estação de carregamento, siga o seguinte processo de ligação.

### 7.3.1. Processo de ligação

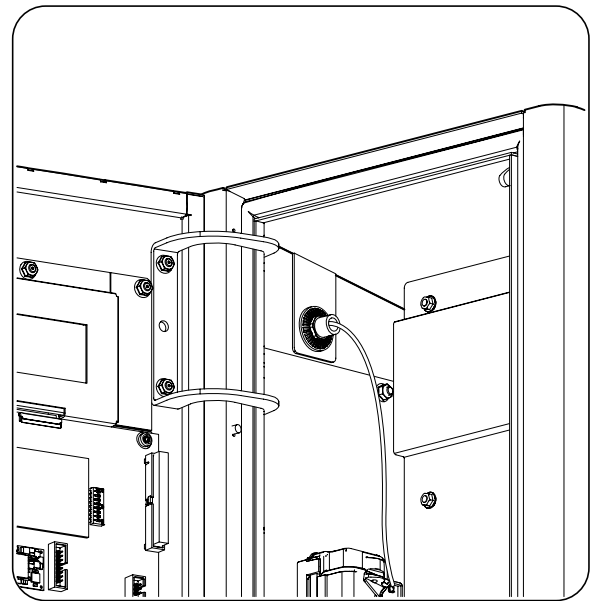
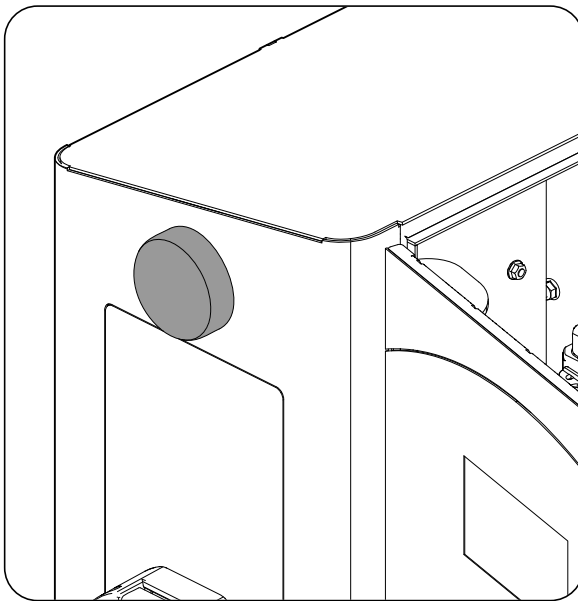
1. Instale o modem na placa de controlo, localizada na parte de trás da porta da estação.



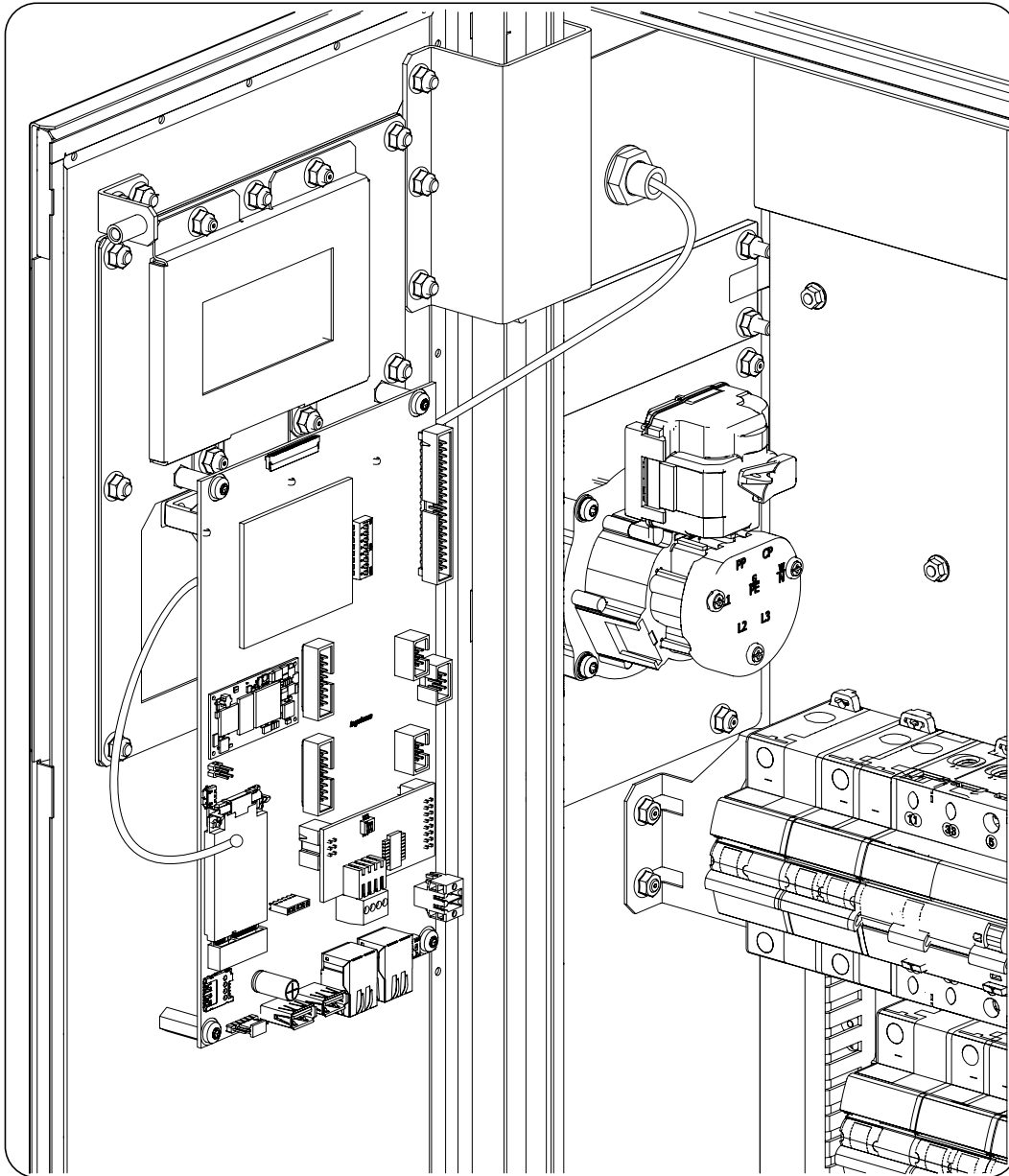
2. No lado esquerdo da estação, remova o material pré-cortado marcado a cinzento na figura seguinte.



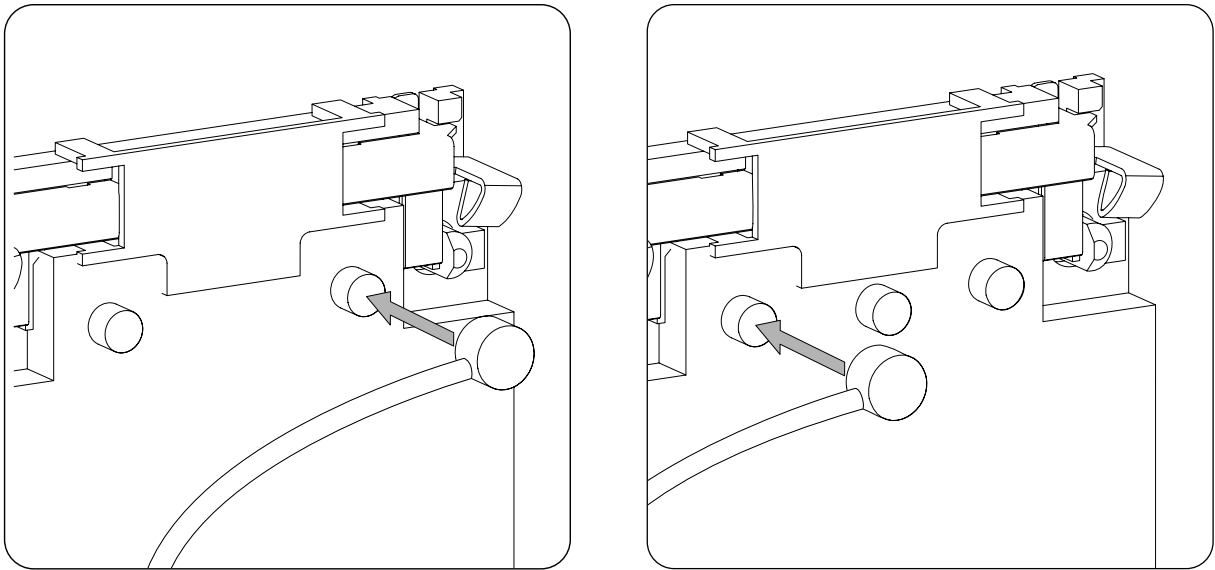
3. Instale a antena 3G/4G.



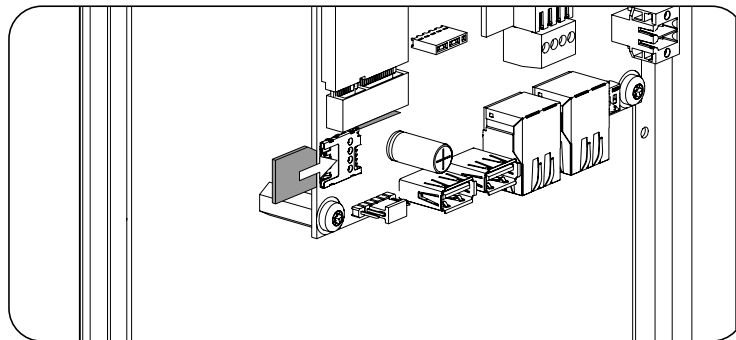
4. Passe o cabo da antena através da parte inferior da placa de controlo na porta da estação.



5. Ligue o cabo da antena de acordo com o modelo de modem instalado.



6. Insira o cartão MicroSim na ranhura na parte inferior do modem.



7. Verifique se a porta se fecha corretamente e se não há tensão no cabo da antena.

## 8. Ligação da alimentação

Ao longo deste capítulo, são explicados os requisitos e o processo para ligar a cablagem de alimentação no equipamento.

Leia atentamente antes de iniciar o processo de ligação.

### INFO

Consulte a secção “*Condições de segurança importantes*” e as seguintes indicações antes de utilizar o equipamento.

### 8.1. Indicações de segurança para a ligação da alimentação

#### PERIGO

Assegure a ausência de tensão no equipamento antes de iniciar a ligação.

**Não fornecer tensão** ao equipamento até ter concluído as ligações com sucesso e o equipamento tenha sido fechado.

Utilize os Equipamentos de Proteção Individual especificados na secção “*Equipamento de proteção individual (EPI)*”.

Durante a ligação, deve certificar-se que a instalação dos cabos nos blocos terminais do equipamento está correta, de forma a que não existam partes acessíveis na tensão desta cablagem.

Respeite a polaridade da cablagem da alimentação.

#### ATENÇÃO

A Ingeteam não se responsabiliza pelos danos decorrentes de uma ligação incorreta.

### 8.2. Requisitos da cablagem para a ligação da alimentação

Para garantir a segurança das pessoas, o correto funcionamento do equipamento e o cumprimento da regulamentação aplicável, o equipamento tem que ser ligado à terra da instalação.

Se o carregador e o ponto de ligação à rede estiverem separados por uma distância que exija o uso de cabos com secção maior, recomenda-se o uso de uma caixa de distribuição externa, próxima do carregador, para realizar esta alteração de secção.

A ligação da alimentação deve ser realizada através de cabos monopolares. Será utilizado um total de 3 ou 5 cabos, dependendo se uma alimentação monofásica (fase, neutro e terra) ou trifásica (três fases, neutro e terra) está ligada. O material do condutor pode ser cobre ou alumínio.

#### ATENÇÃO

No caso de utilizar cabos de alumínio, o instalador deverá disponibilizar os meios para evitar o efeito de par galvânico (terminais bipolares, interfaces bimetálicas, etc.)

A corrente nominal do seccionador ou do bloco de terminais da ligação é de 80 A, dependendo do modelo.

### INFO

Um equipamento trifásico pode funcionar como um equipamento monofásico ligando apenas uma fase, neutro e terra, tendo em conta que a fase está ligada à fase R do equipamento.

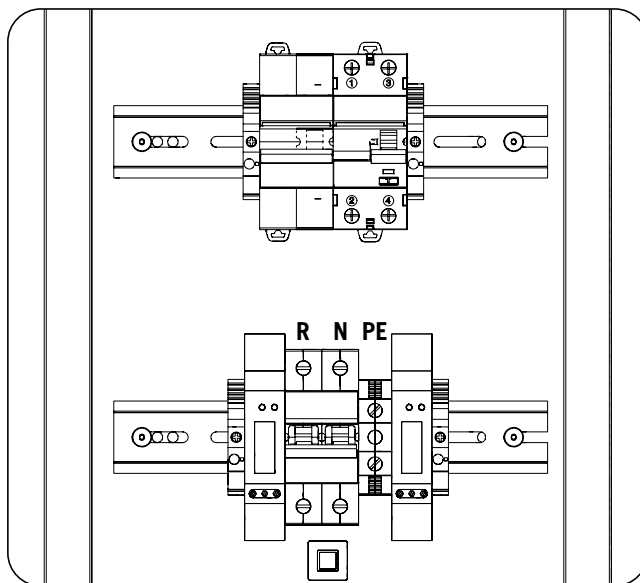
O dimensionamento da cablagem de terra é da responsabilidade do instalador e deve respeitar as normas aplicáveis na instalação.

### 8.3. Processo de ligação da alimentação

1. Insira a cablagem através dos prensa-cabos existentes na parte inferior do carregador.
2. Ligue, respeitando as polaridades de acordo com o tipo de equipamento.

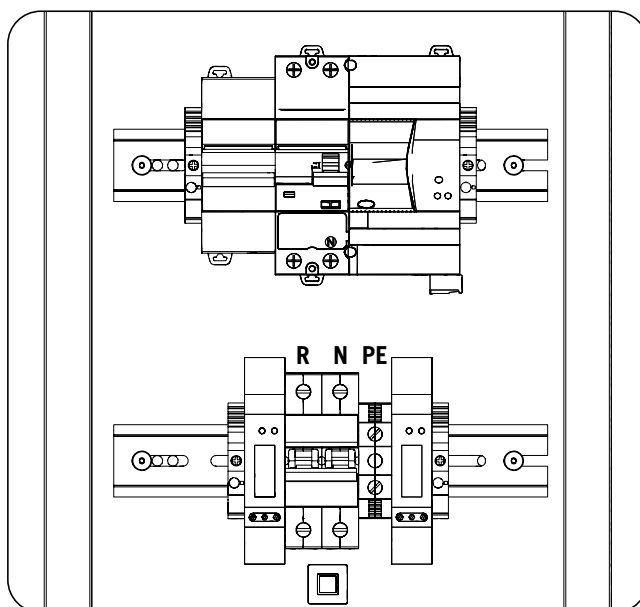


**FS1MW/FW1MW: Monofásico com proteções**



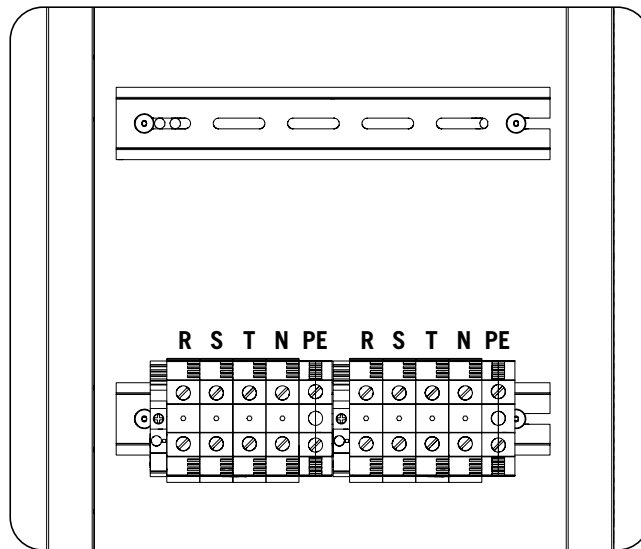
Especificações da ligação			
Ligação	Secções de cablagem admitidas		Binário de aperto
	Cabos flexíveis	Cabos rígidos	
R, N	6 ~ 70 mm <sup>2</sup>	6 ~ 50 mm <sup>2</sup>	2,5 Nm
PE	2,5 ~ 50 mm <sup>2</sup>	2,5 ~ 16 mm <sup>2</sup>	4 Nm

**FS1AW/FW1AW: Monofásico com proteções reativáveis automaticamente**



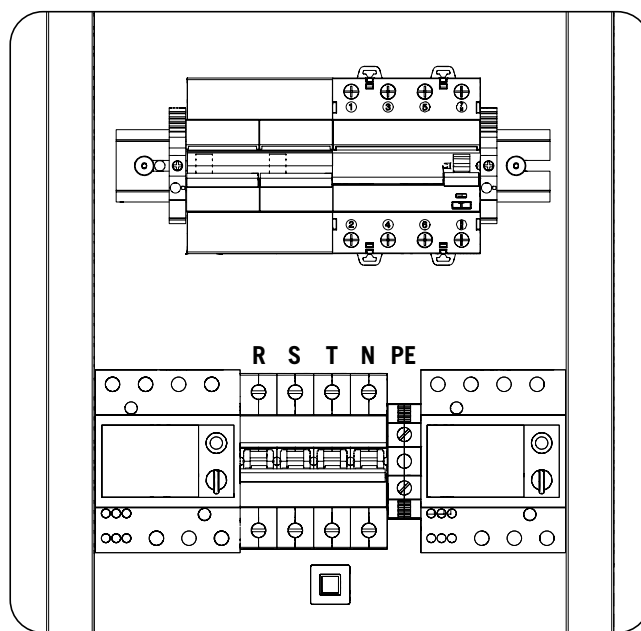
Especificações da ligação			
Ligação	Secções de cablagem admitidas		Binário de aperto
	Cabos flexíveis	Cabos rígidos	
R, N	6 ~ 70 mm <sup>2</sup>	6 ~ 50 mm <sup>2</sup>	2,5 Nm
PE	2,5 ~ 50 mm <sup>2</sup>	2,5 ~ 16 mm <sup>2</sup>	4 Nm

**FS3NN/FW3NN: Trifásico sem proteções**

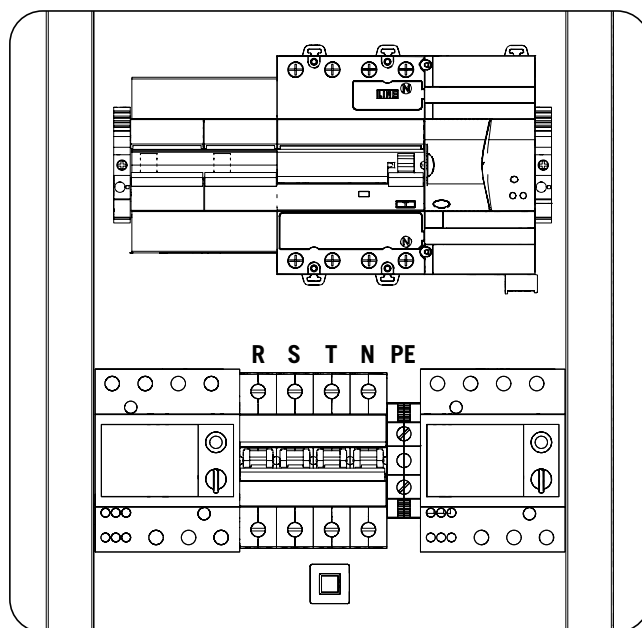


Especificações da ligação			
Ligação	Secções de cablagem admitidas		Binário de aperto
	Cabos flexíveis	Cabos rígidos	
R, S, T, N, PE	2,5 ~ 50 mm <sup>2</sup>	2,5 ~ 16 mm <sup>2</sup>	4 Nm

**FS3MW/FW3MW: Trifásico com proteções**



Especificações da ligação			
Ligação	Secções de cablagem admitidas		Binário de aperto
	Cabos flexíveis	Cabos rígidos	
R, S, T, N,	6 ~ 70 mm <sup>2</sup>	6 ~ 50 mm <sup>2</sup>	2,5 Nm
PE	2,5 ~ 50 mm <sup>2</sup>	2,5 ~ 16 mm <sup>2</sup>	4 Nm

**FS3AW/FW3AW: Trifásico com proteções reativáveis automaticamente**

Especificações da ligação			
Ligação	Secções de cablagem admitidas		Binário de aperto
	Cabos flexíveis	Cabos rígidos	
R, S, T, N,	6 ~ 70 mm <sup>2</sup>	6 ~ 50 mm <sup>2</sup>	2,5 Nm
PE	2,5 ~ 50 mm <sup>2</sup>	2,5 ~ 16 mm <sup>2</sup>	4 Nm

3. Verificar se a membrana de passagem de cabos está corretamente posicionada e se a cablagem não está esticada.

## 9. Primeira ligação à rede elétrica

Ao longo deste capítulo, é descrito o processo a seguir para a realização da primeira ligação à rede elétrica do equipamento.

Previamente, faça a revisão do equipamento.

### 9.1. Revisão do equipamento

É necessário verificar se o estado da instalação está correto antes da colocação em funcionamento.

Cada instalação varia de acordo com as suas características, o país onde se encontra ou outras condições especiais aplicáveis. Em qualquer caso, antes de colocar o equipamento em funcionamento, deve certificar-se que a instalação cumpre a legislação e regulamentações aplicáveis e que esteja concluída, pelo menos a parte que será colocada em funcionamento.

#### 9.1.1. Inspeção

Antes da primeira ligação à rede do carregador, é necessário realizar uma revisão geral que consista, sobretudo, no seguinte:

##### Revisão da cablagem

- Verifique se os cabos estão corretamente unidos aos seus conectores.
- Verifique se esses cabos estão em bom estado e se no respetivo ambiente não existem perigos que possam deteriorá-los, como fontes de calor intenso, objetos que possam originar o seu corte ou disposições que os submetam ao risco de impactos ou esticões.

##### Revisão da fixação do equipamento

Verifique se o equipamento está bem fixado e se não corre perigo de cair.

#### 9.1.2. Fechamento hermético do equipamento

Nas operações de instalação, certifique-se de que as operações de ligação não alteraram o grau de estanqueidade do equipamento.

Verifique se o ajuste dos conectores e o fecho dos elementos passa-cabos estão corretos.

## 10. Configuração

Para realizar a primeira configuração do equipamento, é necessário estabelecer uma ligação local. Uma vez realizada esta primeira configuração, é também possível estabelecer uma ligação remota. Os processos para ambos os casos são descritos abaixo.

A configuração será feita através da aplicação INGEREV WEB Manager.

### 10.1. Ligação local

Para estabelecer uma ligação local, o carregador e o computador devem estar ligados à mesma rede de comunicação.

A ligação local pode ser feita via Ethernet ou Wi-Fi.

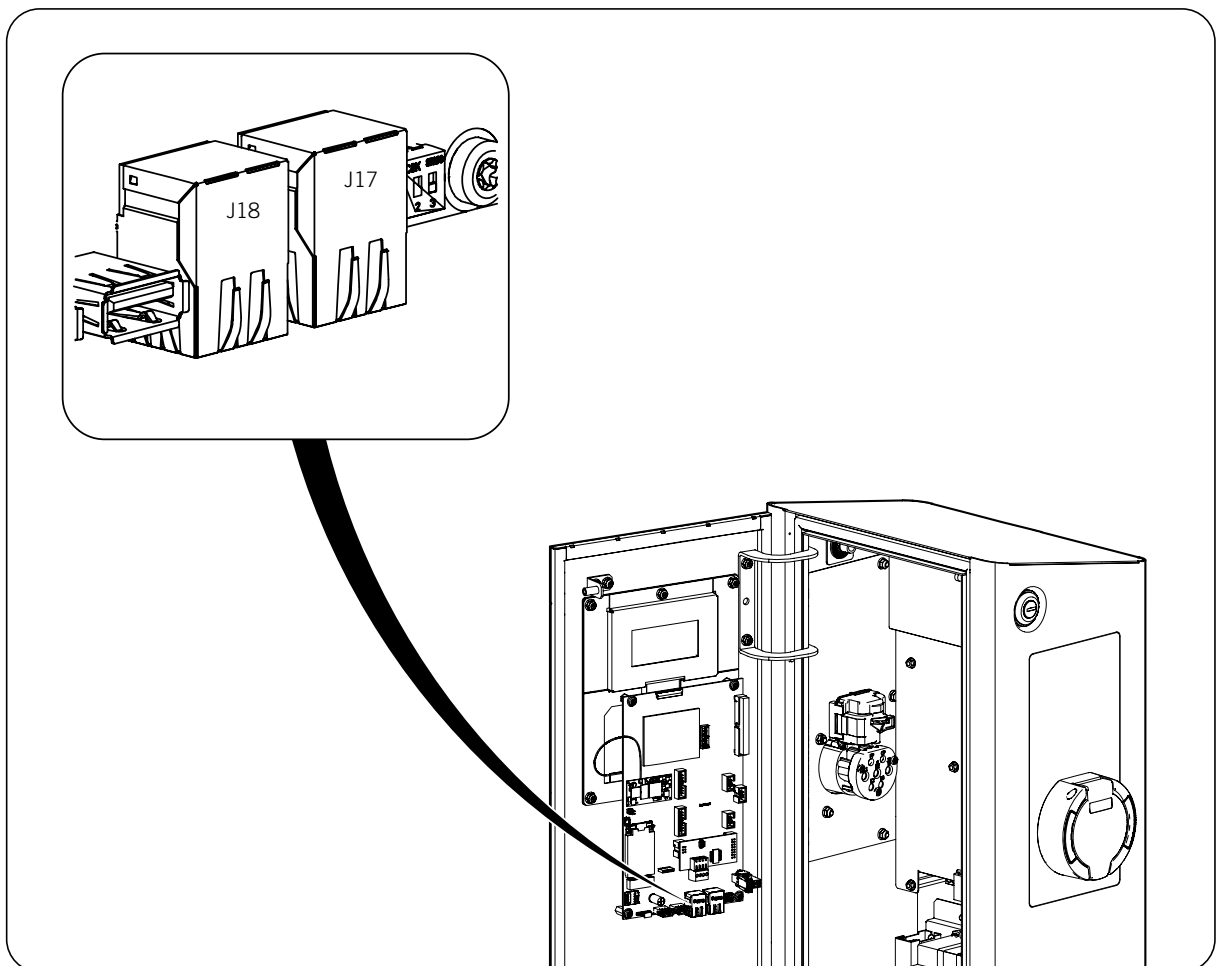
#### 10.1.1. Ligação local através de Ethernet

##### **ATENÇÃO**

A cablagem de Ethernet deve ser do tipo 5E ou superior.

Para estabelecer a ligação, siga os passos abaixo indicados:

1. Ligue o computador ao equipamento através de um dos conectores Ethernet disponíveis (J17 ou J18).



2. No portátil, abra o navegador web e vá a <http://serialNumber.local:8080>, onde o *serialNumber* corresponde ao número de série do computador (por exemplo, <http://6S0A182A0001.local:8080>). O número de série identifica de forma única o dispositivo e pode ser encontrado na placa de identificação.

3. Insira o utilizador e a palavra-passe. O utilizador e a palavra-passe são indicados na documentação entregue com o equipamento.
4. Siga as instruções do INGEREV WEB Manager.

**⚠ ATENÇÃO**

Certos sistemas operativos, devido à sua própria configuração, podem rejeitar o URL acima descrito. Nestes casos, deve proceder da seguinte forma:

1. Ligue o portátil através de um cabo Ethernet ao conector J17 ou J18 do equipamento.
2. Acesse através de um navegador web a <http://192.168.1.33:8080>.
3. Siga os passos indicados no navegador para realizar o processo de configuração.

### 10.1.2. Ligação local através de Wi-Fi

Por defeito, o equipamento está configurado no modo *Access Point*. Isto significa que gera uma rede Wi-Fi que permite ligações de dispositivos tais como computadores portáteis, tablets ou smartphones.

Para estabelecer a ligação, siga os passos abaixo indicados:

1. Ligue o dispositivo à rede gerada pelo carregador. O nome da rede é o mesmo que o número de série do equipamento. A palavra-passe da rede Wi-Fi são os primeiros 8 dígitos da palavra-passe indicada na autocolante da documentação fornecida com o equipamento.
2. No dispositivo, abra o navegador web e vá a <http://192.168.2.1:8080> ou <http://SerialNumber.local:8080>.
3. Insira o utilizador e a palavra-passe. O utilizador e a palavra-passe são indicados na documentação entregue com o equipamento.
4. Siga as instruções do INGEREV WEB Manager.

## 10.2. Ligação remota

O objetivo da comunicação remota é ter acesso ao carregador quando o carregador e o computador estão ligados à Internet a partir de diferentes redes de comunicação. O carregador deve estar ligado à Internet via Wi-Fi, Ethernet ou 3G/4G.

Para estabelecer a ligação, siga os passos abaixo indicados:

1. Com o carregador e o computador ligados à Internet, abra o navegador web e vá a <http://www.ingerev.com/serialNumber>, onde o *serialNumber* corresponde ao número de série do computador (por exemplo, <http://www.ingerev.com/6SOA182A0001>). O número de série identifica de forma única o dispositivo e pode ser encontrado na placa de identificação.

**⚠ ATENÇÃO**

O endereço <http://www.ingerev.com/serialNumber> só pode ser utilizado para aceder ao carregador se este tiver um endereço IP público. Se não estiver disponível um endereço IP público, deve saber o endereço IP do carregador (*ipChargingStation*) para poder aceder ao mesmo através de <http://ipChargingStation:8080/>.

Se não tiver um IP público, o computador e o ponto de carregamento devem estar na mesma rede ou APN.

2. Insira o utilizador e a palavra-passe. O utilizador e a palavra-passe são indicados na documentação entregue com o equipamento

## 11. Funcionamento

A principal função da estação de carregamento é o fornecimento de energia elétrica e a sua medição, para utilizadores previamente autorizados através de um sistema de leitura de cartões RFID, exceto em estações configuradas sem autenticação.

Esta secção detalha o funcionamento da estação de carregamento.

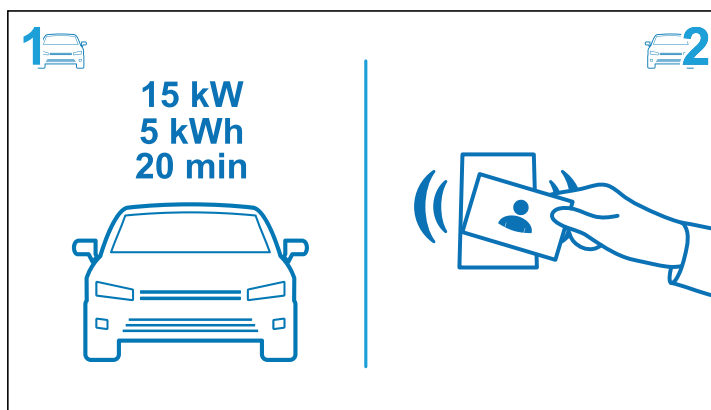
### 11.1. Indicação de estados

A estação de carregamento indica o seu estado por meio de um sinal luminoso. Tem indicadores independentes para cada tomada de corrente.

Estado	Iluminação	Descrição
A aguardar por veículo	Verde contínuo	A tomada de carregamento está à espera que um veículo seja ligado para proceder com o carregamento.
A aguardar carregamento	Amarelo intermitente	Um utilizador passou o cartão no leitor e a tomada espera que o utilizador ligue o seu veículo a esta.
Em carregamento	Azul contínuo	Um veículo foi ligado à tomada de carregamento.
Consumo reduzido	Azul intermitente	O consumo é reduzido
Erro	Vermelho contínuo	Há um erro na estação ou o processo de carregamento não está a ser executado corretamente
Modo de espera	Nenhuma	A estação de carregamento foi desligada remotamente.
Fim de sessão	Amarelo contínuo	A sessão de carregamento foi terminada.
Cartão recusado	Vermelho contínuo	O cartão é inválido ou não foi reconhecido corretamente.

### 11.2. Interface de utilização

O ecrã está dividido em duas áreas separadas, uma para cada tomada disponível.



A interface irá orientar o processo de carregamento do utilizador.

### 11.3. Processo de carregamento

Dependendo das necessidades do cliente, o processo de carregamento será iniciado com ou sem autenticação. Em seguida, é explicado o processo para ambos os casos.

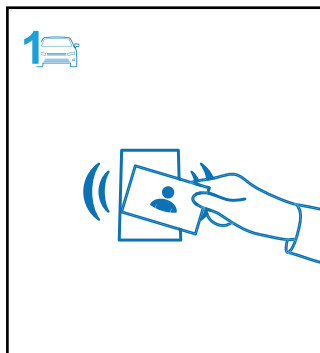
#### 11.3.1. Processo de carregamento com autenticação

##### **ATENÇÃO**

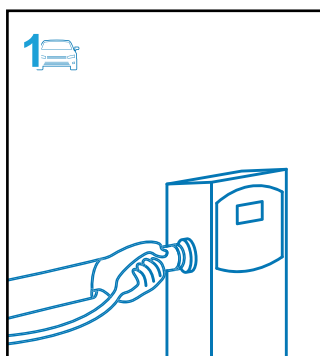
O conector de alimentação elétrica não deve ser removido do veículo enquanto o carregamento estiver a decorrer.

### Início do processo de carregamento

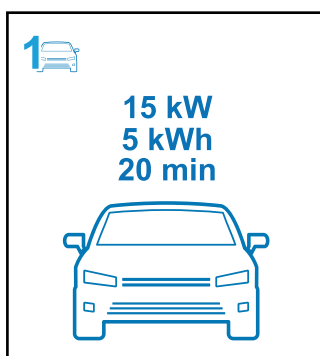
1. Verifique se a estação está no estado *A aguardar por veículo* com a iluminação a verde.
2. Se tiver um cartão de identificação, aproxime o cartão perto do leitor de cartões localizado na área abaixo do ecrã. Se a leitura for correta, a estação passa para o estado *A aguardar carregamento*. Caso o gestor de carregamento utilize uma aplicação para gerir o carregamento, siga as instruções da aplicação para iniciar o processo.



3. Ligue o veículo à estação.



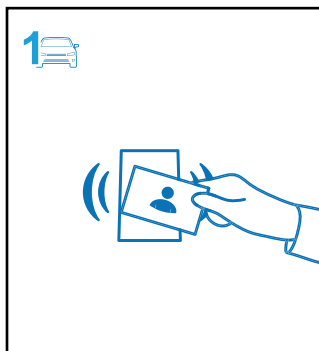
4. O carregamento é iniciado. A iluminação permanece azul, ficando fixa se houver consumo e ficando intermitente se não houver.



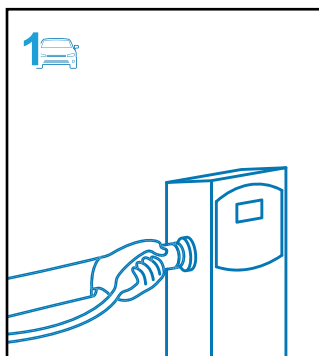


**Fim do processo de carregamento**

1. Para completar o ciclo de carregamento, se tiver um cartão de identificação, aproxime-o novamente do leitor. Se o carregamento for gerido através de aplicação, siga as instruções da aplicação.



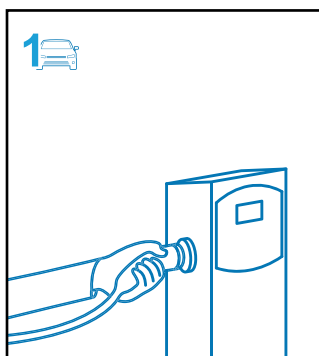
2. Desligue a ficha do veículo.



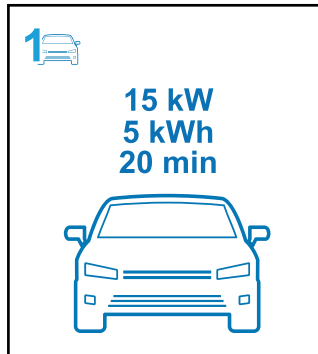
3. O processo de carregamento é interrompido.

**11.3.2. Processo de carregamento sem autenticação****Início do processo de carregamento**

1. Ligue o veículo à estação de carregamento.

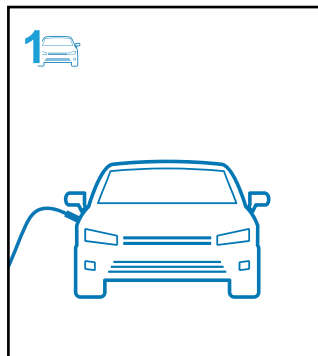


2. O carregamento é iniciado. A iluminação permanece azul, ficando fixa se houver consumo e ficando intermitente se não houver.



### Fim do processo de carregamento

1. Desligue o conector do lado do veículo.



2. O processo de carregamento é interrompido.

## 12. Resolução de problemas

### ⚠ ATENÇÃO

A resolução de problemas da estação deve ser realizada por pessoal qualificado, atendendo às condições gerais de segurança descritas no presente manual.

### 12.1. Alarmes

Código	Alarme	Descrição	Solução
0001	Defeito na instalação	Foi produzido um disparo das proteções da estação. A estação deteta que a falha persiste na instalação e não procederá à reativação das proteções até que a falha desapareça.	Se as proteções forem reativáveis manualmente, a estação deve ser aberta para ter acesso às proteções. Reative as proteções cujo controlo não se encontra na posição correta. Verifique a cablagem correta das proteções e verifique se não há cabos soltos ou incorretamente apertados. Se o erro persistir, contacte o serviço de assistência telefónica da Ingeteam.
0002	Alimentação interrompida	O alarme pode dever-se a duas razões: <ul style="list-style-type: none"> <li>Ausência de rede elétrica. Sem alimentação elétrica. A estação será reiniciada quando esta for reposta.</li> <li>Foi produzido um disparo das proteções. Foi produzido um disparo das proteções mas o defeito que o causou desapareceu.</li> </ul>	Se o erro persistir após a rede elétrica ter sido reposta, verifique se a tensão está presente na tomada de ligação da estação de carregamento. Se a causa do alarme tiver sido um disparo das proteções internas do equipamento, proceder à sua resolução conforme estabelecido para o alarme "001 Defeito na instalação".
0004	Porta aberta	A porta frontal do equipamento está aberta	Verifique se a porta do equipamento está devidamente fechada
0008	Falha dos relés de potência	O conector tem tensão quando não deveria ou não tem quando deveria ter.	Notifique o serviço técnico do incidente, indicando o código de erro.
0016	Falha de comunicação do contador de energia	A comunicação interna com o contador de energia não é correta, o que poderia ser causado pelo disparo das proteções. Proceda com a verificação da instalação elétrica por pessoal qualificado para ver se as proteções dispararam.	Verifique as proteções e reative-as, se necessário. Se a falha persistir, verifique se a ligação está correta. Se o alarme persistir contacte o serviço de assistência telefónica da Ingeteam.
0032	Falha no leitor RFID	Falha no leitor de cartões RFID.	Se o problema persistir, reinicie o equipamento (consulte a secção "13. Desligamento do equipamento"). Se depois de reiniciada a falha persistir, contacte a Ingeteam.
0128	Fuga de corrente CC	Dependendo do modelo, as estações de carregamento podem incorporar um sensor de fuga de corrente CC. A fuga de corrente contínua que provoca o alarme é causada pelo veículo elétrico em processo de carregamento, pelo que não se trata de um alarme da estação de carregamento, mas de uma paragem do carregamento por razões de segurança.	O alarme desaparecerá quando terminar a sessão. Se o alarme persistir na ausência de um veículo elétrico ligado, ligue o serviço de assistência telefónica.

Código	Alarme	Descrição	Solução
0256	Falha na sequência de carregamento	Sequência de carregamento incorreta ou desligamento do veículo durante o carregamento.	No caso do alarme ser causado pelo veículo ser desligado durante a sessão de carregamento, o alarme desaparecerá quando a sessão de carregamento estiver terminada. Também desaparecerá se o equipamento for reiniciado.  Se o alarme persistir sem que esteja em curso uma sessão de carregamento, contacte o serviço de assistência telefónica
0512	Corrente de carga máxima admissível	O veículo não cumpriu o limite máximo admissível de corrente de carregamento durante um tempo máximo estabelecido.	O alarme desaparecerá quando a sessão de carregamento do veículo elétrico que causou o alarme estiver terminada.
1024	Falha de comunicação com o gestor de energia	Falha na comunicação entre a estação e o gestor de energia. Este erro aparecerá no caso da estação estar configurada para trabalhar em conjunto com um gestor de energia e o gestor de energia não existir.	Verifique a comunicação entre a estação e o gestor de energia. Se não houver um gestor de energia, desative-o na configuração da estação.

## 13. Desligamento do equipamento

Ao longo desta seção, é descrito o procedimento para desligar o equipamento. No caso de querer operar a partir do interior do equipamento, é obrigatório seguir estas instruções pela mesma ordem em que aparecem aqui para retirar a tensão.

1. Se houver um processo de carregamento ativo, termine a sessão de carregamento.
2. No caso de um equipamento sem proteções, retire a alimentação elétrica a partir do exterior. No caso de o equipamento incluir proteções, abra o equipamento e desligue o seccionador principal Q1.
3. Aguarde 10 minutos até que as capacidades internas existentes sejam descarregadas, os elementos internos arrefeçam e o movimento residual das palhetas dos ventiladores pare.
4. Abra o equipamento e, com o EPI apropriado, verifique a ausência de tensão na ligação CA ou na saída do seccionador, se o ponto de carregamento tiver um.
5. Sinalize a área de corte com um painel de "*Atenção, proibido manobrar...*". No caso de ser necessário delimitar a área de trabalho.

## 14. Manutenção

### ⚠ ATENÇÃO

Os trabalhos recomendados de manutenção devem ser realizados com uma periodicidade mínima anual, salvo nos casos em que se indique o contrário.

### 14.1. Condições de segurança

#### ⚠ PERIGO

Todas as verificações de manutenção aqui descritas devem ser feitas com o conjunto da máquina parado, em condições seguras de manipulação, incluindo as condições especificadas pelo cliente para este tipo de operações.

A abertura do invólucro não implica em nenhum caso a ausência de tensão no equipamento, por isso, o acesso a este só pode ser realizado por pessoal qualificado e seguindo as condições de segurança estabelecidas no presente documento.

Antes de abrir o equipamento, é necessário retirar a tensão conforme indicado na secção “13. Desligamento do equipamento”.

Assegure a ausência de tensão no equipamento antes de iniciar as tarefas de manutenção.

Para realizar os trabalhos de manutenção no equipamento, os Equipamentos de Proteção Individual especificados na secção “Equipamento de proteção individual (EPI)” do presente documento deverão ser utilizados.

#### ⚠ ATENÇÃO

As condições detalhadas a seguir devem ser consideradas obrigatórias.

A Ingeteam não se responsabiliza pelos danos que possam decorrer do uso inadequado dos equipamentos. Qualquer intervenção realizada num destes equipamentos que pressuponha uma alteração nas disposições elétricas relativamente às disposições originais deve ser comunicada previamente à Ingeteam. Essas intervenções devem ser estudadas e autorizadas pela Ingeteam.

### 14.2. Estado das mangueiras e dos conectores de carregamento

Verifique o estado correto das mangueiras e conectores. Não deve haver golpes ou cortes. Verificar o correto funcionamento dos conectores.

### 14.3. Estado do invólucro

É necessário realizar uma verificação periódica do estado do invólucro, verificando o estado das fechaduras e porta, bem como o encaixe dos equipamentos ao solo e à parede.

Verifique se o invólucro não contém golpes ou riscos que possam degradá-lo ou fazê-lo perder seu índice de proteção.

Se algum desses defeitos for detetado, deve reparar ou substituir as partes afetadas.

### 14.4. Estado dos cabos e dos terminais

É necessário realizar uma inspeção anual do estado dos cabos e dos terminais:

- Verifique se o encaminhamento dos cabos está correto, de modo a que não estejam em contato com as partes com tensão.
- Verifique se existem deficiências nos isolamentos e nos pontos quentes, verificando a cor do isolamento e dos terminais.
- Verifique se as ligações dispõem do binário de aperto adequado.

## 15. Tratamento de resíduos

Estes equipamentos utilizam componentes nocivos para o meio ambiente (placas eletrônicas, baterias ou pilhas, etc.).

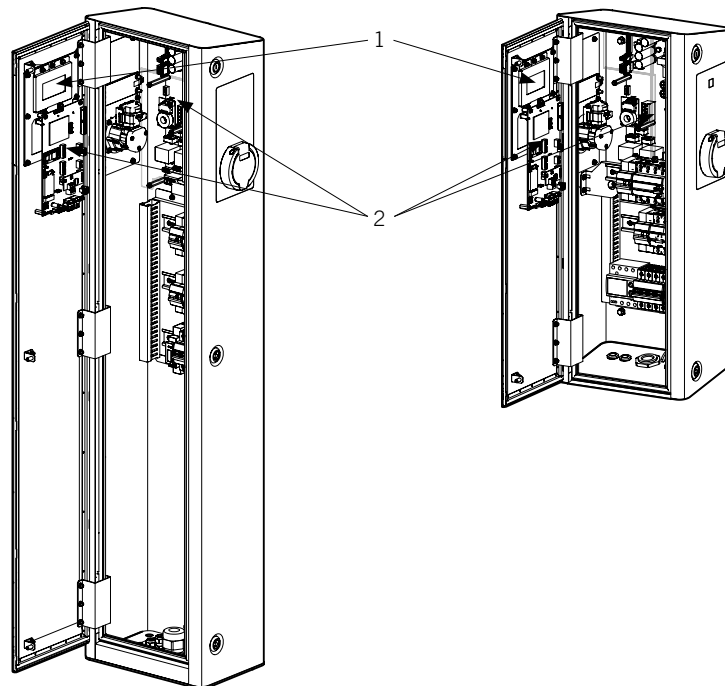


Uma vez terminada a vida útil do equipamento, os resíduos devem ficar a cargo de um agente autorizado de resíduos perigosos, para o seu processamento correto.

Seguindo uma política de proteção do meio ambiente, a Ingeteam, através desta secção, informa os gestores autorizados relativamente à localização dos componentes a serem eliminados.

Os elementos presentes no interior do equipamento e que devem ser tratados especificamente são os seguintes:

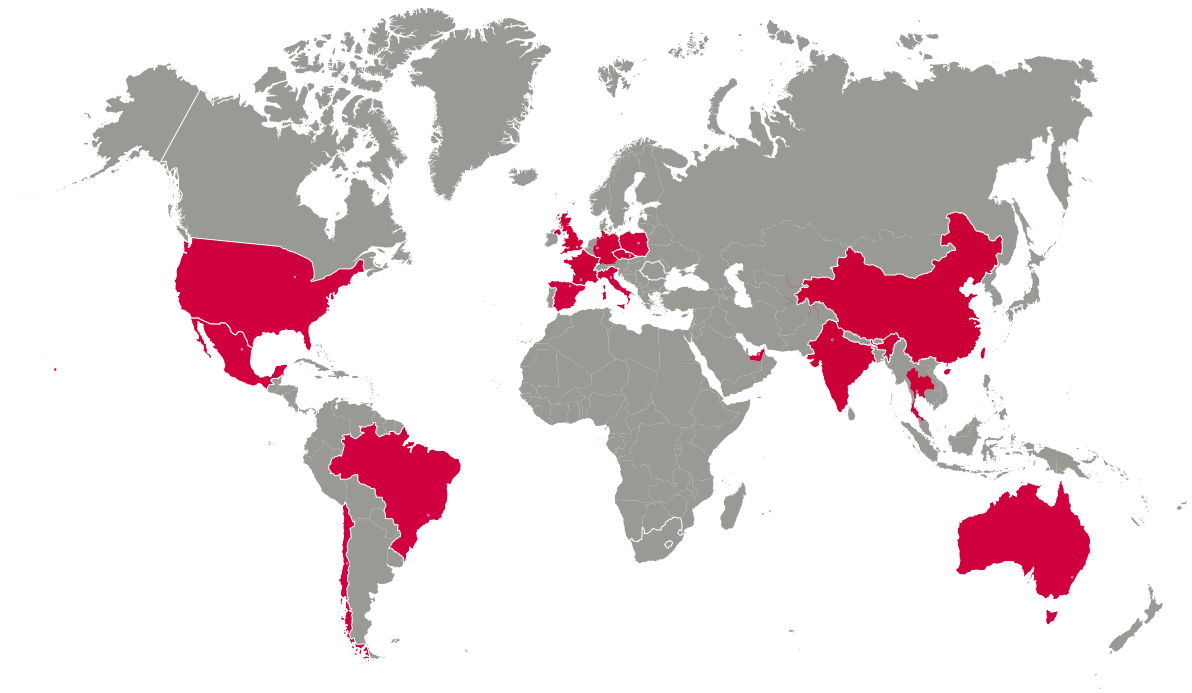
1. Ecrã
2. Placas de circuitos impressos











## EUROPE

**Ingeteam Power Technology, S.A.**  
Avda. Ciudad de la Innovación, 13  
31621 Sarriguren (Navarra) - Spain  
Tel.: +34 948 288 000  
Fax: +34 948 288 001  
e-mail: [evc.energy@ingetteam.com](mailto:evc.energy@ingetteam.com)

**Ingeteam S.r.l.**  
Via Emilia Ponente, 232  
48014 Castel Bolognese (RA) - Italy  
Tel.: +39 0546 651 490  
Fax: +39 054 665 5391  
e-mail: [emobility.italia@ingetteam.com](mailto:emobility.italia@ingetteam.com)

**Ingeteam SAS**  
140 Rue Carmin - Le Naurouze B  
31670 Labège - France  
Tel.: +33 (0)5 61 25 00 00  
Fax: +33 (0)5 61 25 00 11  
e-mail: [france@ingetteam.com](mailto:france@ingetteam.com)

**Ingeteam, a.s.**  
Technologická 371/1  
70800 Ostrava - Pustkovec  
Czech Republic  
Tel.: +420 59 747 6800  
Fax: +420 59 732 6899  
e-mail: [czech@ingetteam.com](mailto:czech@ingetteam.com)

**Ingeteam GmbH**  
Grand Bateau – Zollhof 6  
D-40221 – Düsseldorf, Germany  
Tel.: +49 (0) 211 78177950  
e-mail: [deutschland@ingetteam.com](mailto:deutschland@ingetteam.com)

**Ingeteam Poland Spzoo**  
Ul. Koszykowa 60/62 m 39  
00-673, Warsaw, Poland  
Tel.: (+48) 22 821 99 30  
e-mail: [polska@ingetteam.com](mailto:polska@ingetteam.com)

**Ingeteam LTD.**  
Unit 10 Gordano 19, Garanor Way, Portbury  
Bristol, BS20 TXE - United Kingdom  
Tel.: +44 (0) 331 630 0305

## NORTH AMERICA

**Ingeteam Inc.**  
3550 W. Canal St.  
Milwaukee, WI 53208 - USA  
Tel.: +1 (414) 934 4100 / +1 (855) 821 7190  
Fax: +1 (414) 342 0736  
e-mail: [usa@ingetteam.com](mailto:usa@ingetteam.com)

**Ingeteam Power Technology México S de RL de CV**  
Av. Ejército Nacional Mexicano 351,  
Chapultepec Morales, Granada,  
Miguel Hidalgo,  
CP: 11520  
Ciudad de México, CDMX  
Tel.: (+52) 55 6586 9930  
e-mail: [northamerica@ingetteam.com](mailto:northamerica@ingetteam.com)

## SOUTH AMERICA

**Ingeteam Ltda.**  
Rua Estácio de Sá, 560  
Santa Genebra  
Campinas - SP  
CEP: 13080-010; São Paulo - Brazil  
Tel.: (+55) 19 30 37 37 73  
e-mail: [brazil@ingetteam.com](mailto:brazil@ingetteam.com)

**Ingeteam Chile SpA**  
Balmoral n.º 309, Piso 10º, Oficina 1008,  
7561282 Las Condes  
Santiago, Chile  
Tel.: (+56) 229 253 825  
e-mail: [chile@ingetteam.com](mailto:chile@ingetteam.com)

## ASIA

**Ingeteam Power Technology Shanghai, Co. Ltd.**  
Room 2606-F, No.360 South Pudong Road  
China (Shanghai) pilot free trade zone  
C.P 200120  
Tel.: +86 139 1622 4886  
e-mail: [liu.yimin@ingetteam.com](mailto:liu.yimin@ingetteam.com)

**Ingeteam India Pvt. Ltd.**  
Survey No. 111/1-111/3 & 111/5-111/7,  
Village No.155, Mambakkam Village,  
Chennai - Bangalore Main Road,  
Sriperumbudur Taluk,  
Kancheepuram District - 602106,  
Tamilnadu, India

**Ingeteam Power Technology S.A. UAE Branch**  
Al Bateen tower c6 Bainunah 1st floor  
Street 34  
Abu Dhabi - UAE  
Tel.: +971 2 207 6666

**Ingeteam Power Technology S.A.**  
Thailand representative office  
100/67 Vongvanij B Building, 22nd floor,  
Rama IX Road., HuayKwang,  
10320 Bangkok  
Te.: +66 22461798  
e-mail: [Thailand.pga@ingetem.com](mailto:Thailand.pga@ingetem.com)

## AUSTRALIA

**Ingeteam Australia Pty Ltd.**  
Iaccelerate Centre, Building 239  
Innovation Campus, Squires Way  
North Wollongong, NSW 2500 - Australia  
Tel.: +61 429 111 190  
e-mail: [australia@ingetteam.com](mailto:australia@ingetteam.com)

ABW2011IQM01\_E  
06/2024

***Ingeteam***